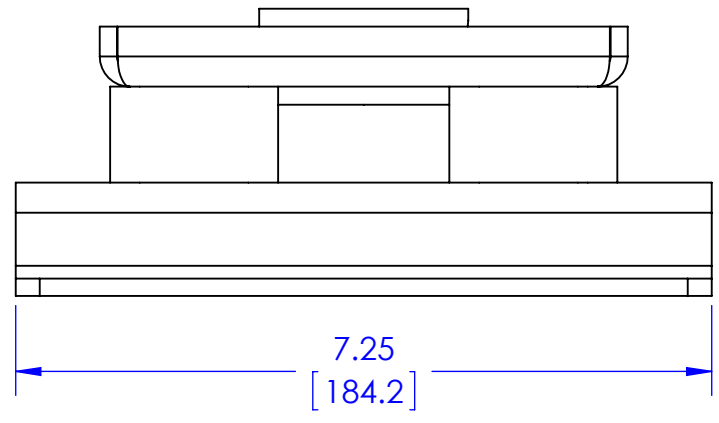
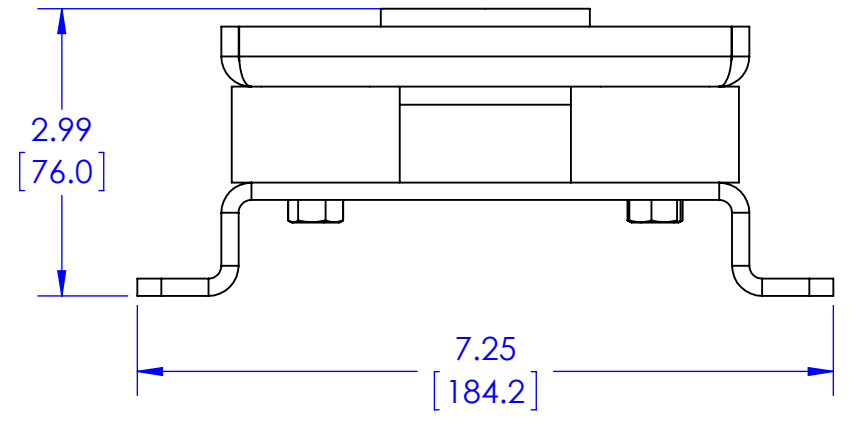


ACCEPTS 1.5" NPT THREADS

6X Ø0.38 [9.7]



THE INFORMATION AND DESIGNS CONTAINED IN THIS DRAWING ARE CONFIDENTIAL AND THE PROPRIETARY PROPERTY OF MILESTONE AV TECHNOLOGIES NEITHER THIS DESIGN NOR ANY INFORMATION CONTAINED IN THIS DRAWING MAY BE REPRODUCED OR DISCLOSED TO OTHERS WITHOUT THE EXPRESS WRITTEN CONSENT OF MILESTONE AV TECHNOLOGIES.

CAD GENERATED DRAWING, DO NOT MANUALLY UPDATE.				6436 CITY WEST PKWY EDEN PRAIRIE MN, 55344 PHONE: 866-977-3901 FAX: 877-894-6918	
DRAWN BY	SEF	12/17/2012		DESCRIPTION CMA345 TECH DRAWING	
ENG APPROVAL		12/17/2012	MODEL NO. CMA345		
MFG APPROVAL			SIZE DWG. NO. B TECH-000281		
QA APPROVAL			REV. 00		
SHEET 1 OF 1			SCALE 1:2		