



**EASE**  
**EQUIPMENT ANCHORAGE & SEISMIC ENGINEERING**  
 2801 Connery Way Suite B  
 Missoula, MT 59808  
 Phn: (406) 541-3273 Fax: (406) 541-3274

**Office of Statewide Health Planning and Development**  
**ANCHORAGE PRE-APPROVAL**

**OPA-1367-07**

Equipment Manufacturer: Milestone AV Technologies

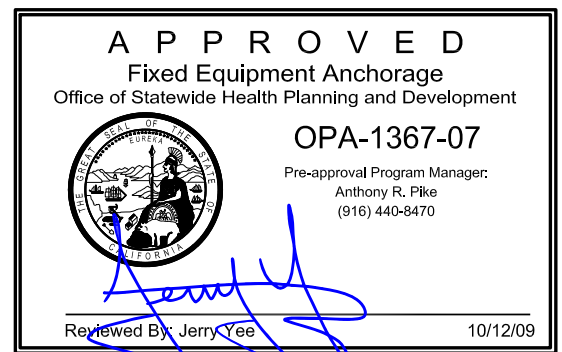
Equipment Type: Chief - CMA - 345 Projector Mount

**GENERAL NOTES**

1. FORCES PER ASCE 7-05 SECTION 13.3.1, EQUATIONS 13.3-1, 13.3-2 & 13.3-3, WHERE  $S_{DS} = 1.93$ ,  $a_p = 2.5$ ,  $I_p = 1.5$  &  $R_p = 2.5$
2. THIS PRE-APPROVAL CONFORMS TO THE 2007 CALIFORNIA BUILDING CODE.
3. THE DETAILS IN THIS PRE-APPROVAL MAY BE USED AT ANY LOCATION IN THE STATE OF CALIFORNIA.  
 THE ELEVATED FLOOR DETAILS MAY BE USED AT ANY HEIGHT IN A BUILDING.
4. ALL ANCHOR FORCES SHOWN ON THE DRAWINGS ARE WORKING LOADS (AS OPPOSED TO STRENGTH LEVEL LOADS)  
 AND MAY BE USED FOR ALLOWABLE STRESS DESIGN.
5. PER CAN 2-1708A.5, THIS UNIT DOES NOT REQUIRE "SPECIAL SEISMIC CERTIFICATION".

**RESPONSIBILITIES OF THE STRUCTURAL ENGINEER OF RECORD**

6. DESIGN BACKING BARS, STUDS, ETC. WHICH THE UNITS ARE ATTACHED TO AS NOTED ON THE DRAWINGS.  
 THE SEOR SHALL ALSO VERIFY THE ADEQUACY OF THE STRUCTURES (SUCH AS WALLS AND FLOORS)  
 WHICH SUPPORT THE UNITS FOR THE LOADS IMPOSED ON THEM BY THE UNITS AS WELL AS ALL OTHER LOADS.
7. PROVIDE ANY SUPPORTING STRUCTURE REQUIRED TO SUPPORT WEIGHTS AND FORCES SHOWN, IN ADDITION TO ALL OTHER LOADS.
8. VERIFY THAT THE INSTALLATION IS IN CONFORMANCE WITH THE 2007 CBC AND WITH THE DETAILS SHOWN IN THIS PRE-APPROVAL.  
 VERIFY THAT THE ACTUAL EQUIPMENT'S WEIGHT, CG LOCATION, ANCHOR LOCATIONS, ANCHOR DETAILS AND THE MATERIAL AND  
 GAGE OF THE UNIT WHERE ATTACHMENTS ARE MADE AGREE WITH THE INFORMATION SHOWN ON THE PRE-APPROVAL DOCUMENTS.



**MILESTONE AV TECHNOLOGIES**

DES. **R. LA BRIE**

SHEET

**2**

EASE JOB NO. **11-0781**

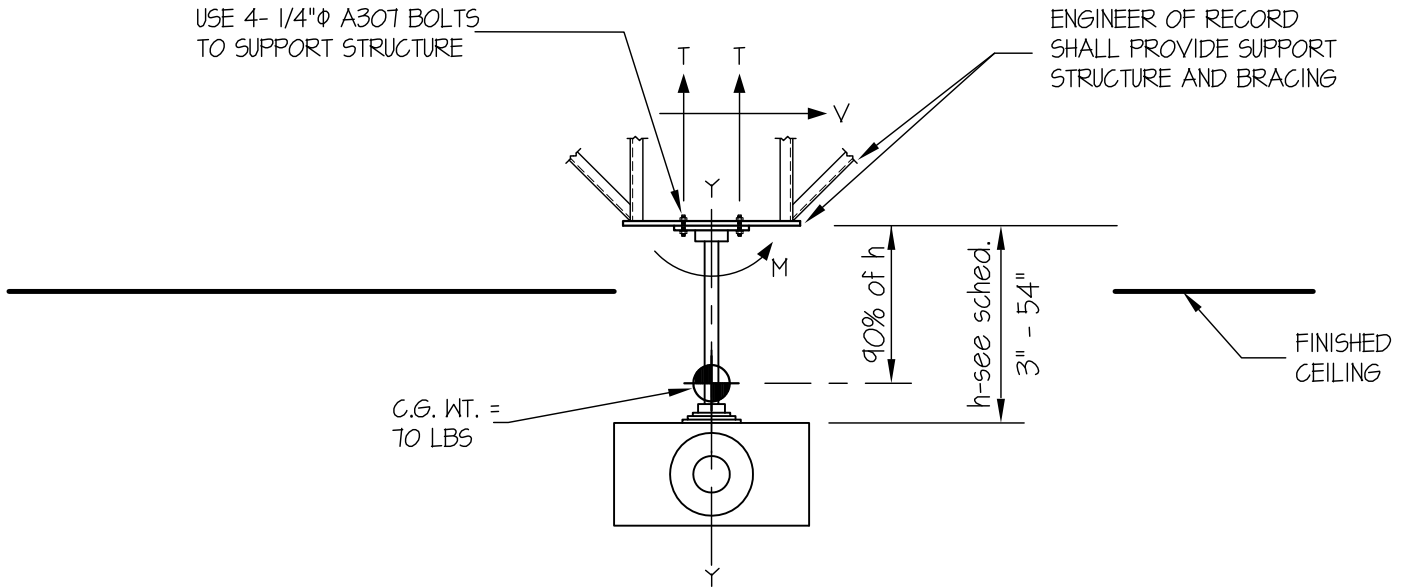
DATE **10/12/09**

OF **3** SHEETS

**CHIEF - CMA - 345 PROJECTOR MOUNT**

SEISMIC ANCHORAGE

CEILING MOUNTED



**ELEVATION**

**NOTES:**

- ANCHORAGE DESIGN PER 2007 CALIFORNIA BUILDING CODE - SECTION 1613A AND ASCE 7-05 SECTIONS 12 AND 13. ALLOWABLE STRESS DESIGN IS USED.  
HORIZONTAL FORCE ( $E_h$ ) =  $2.43 W_p (S_{DS} = 1.93, I_p = 1.5, a_p = 2.5, R_p = 2.5)$   
VERTICAL FORCE ( $E_v$ ) =  $0.2T W_p$
- CENTER OF GRAVITY (C.G.) WEIGHT IS A MAXIMUM. THIS PRE-APPROVAL ENCOMPASSES ALL WEIGHTS UP TO THE MAXIMUM WEIGHT SHOWN.
- ARCHITECT OR STRUCTURAL ENGINEER OF RECORD SHALL PROVIDE SUPPORT STRUCTURE TO SUPPORT WEIGHTS AND FORCES SHOWN.
- SEE GENERAL NOTES: SHEET 1



**APPROVED**  
Fixed Equipment Anchorage  
Office of Statewide Health Planning and Development

OPA-1367-07

Pre-approval Program Manager:  
Anthony R. Pike  
(916) 440-8470

Reviewed By: Jerry Yee

10/12/09

**MILESTONE AV TECHNOLOGIES**

DES. **R. LA BRIE**

SHEET  
**3**

EASE  
JOB NO. **11-0781**

DATE **10/12/09**

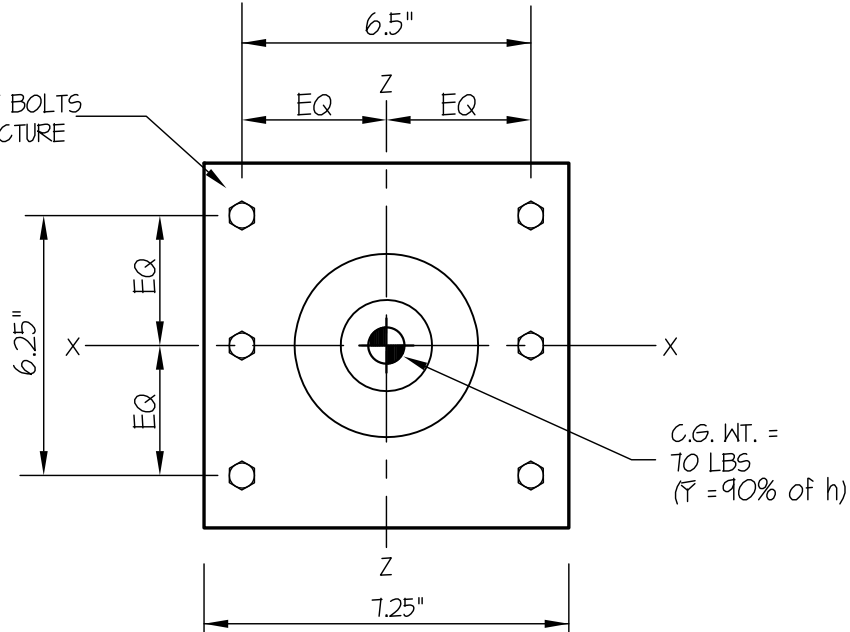
OF **3** SHEETS

**CHIEF - CMA - 345 PROJECTOR MOUNT**

SEISMIC ANCHORAGE

CEILING MOUNTED

USE 4- 1/4"Φ A307 BOLTS  
TO SUPPORT STRUCTURE



PLAN AT CEILING PLATE

Drop Tube (h)	Moment inch-lbs	Tension lbs/bolt	Shear lbs/bolt
12"	1836	227	28
24"	3672	439	28
36"	5508	650	28
48"	7344	862	28
54" (MAX)	8262	968	28



Reviewed By: Jerry Yee

10/12/09

**MILESTONE AV TECHNOLOGIES**

DES. **R. LA BRIE**

SHEET

**1**

EASE JOB NO. **11-0781**

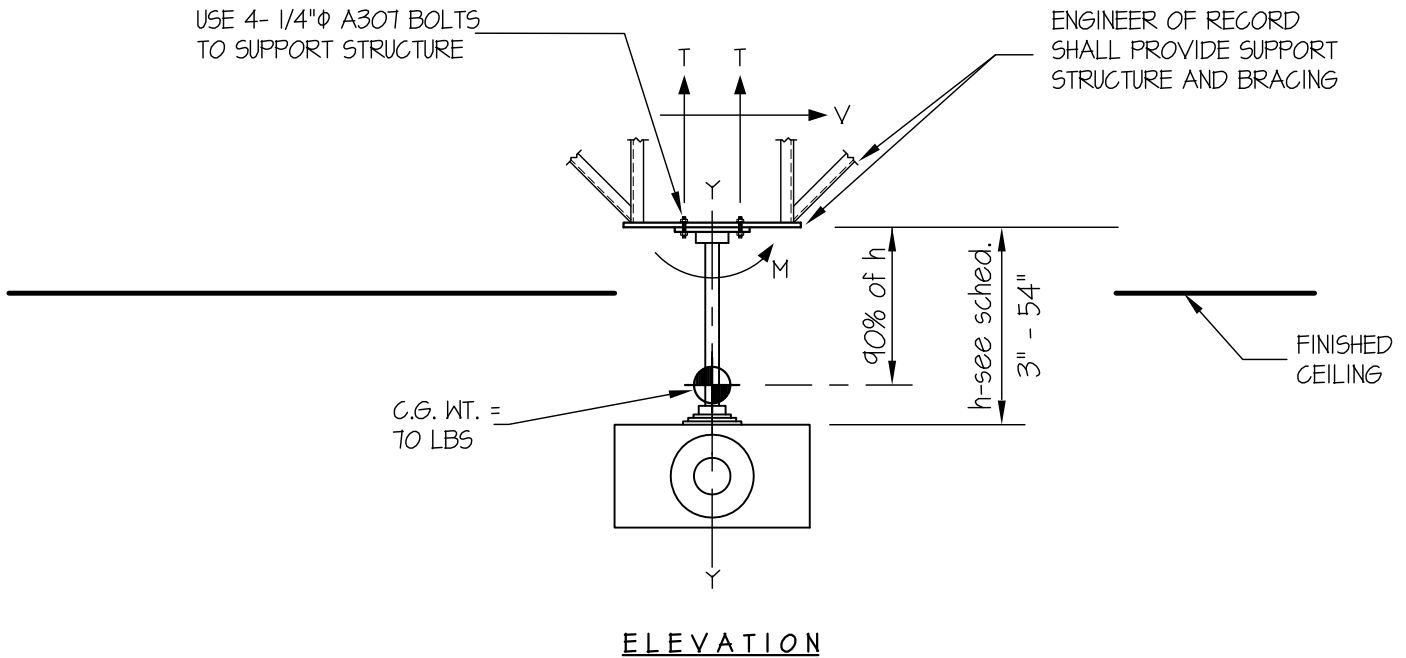
DATE **10/12/09**

OF **2** SHEETS

**CHIEF - CMA - 345 PROJECTOR MOUNT**

SEISMIC ANCHORAGE

CEILING MOUNTED



NOTES:

1. FORCES ARE DETERMINED PER 2007 CALIFORNIA BUILDING CODE SECTION 1613A AND ASCE 7-05 SECTIONS 12 AND 13. ALLOWABLE STRESS DESIGN IS USED.

HORIZONTAL FORCE ( $E_h$ ) =  $2.43 W_p$  ( $S_{DS} = 1.93, a_p = 2.5, I_p = 1.5, R_p = 2.5$ )

VERTICAL FORCE ( $E_v$ ) =  $0.27 W_p$

2. CENTER OF GRAVITY (C.G.) WEIGHT IS A MAXIMUM. THIS CALCULATION ENCOMPASSES ALL WEIGHTS UP TO THE MAXIMUM WEIGHT SHOWN.

3. ARCHITECT OR STRUCTURAL ENGINEER OF RECORD SHALL PROVIDE SUPPORT STRUCTURE TO SUPPORT WEIGHTS AND FORCES SHOWN.



**MILESTONE AV TECHNOLOGIES**

DES. **R. LA BRIE**

SHEET

**2**

EASE JOB NO. **11-0781**

DATE **10/12/09**

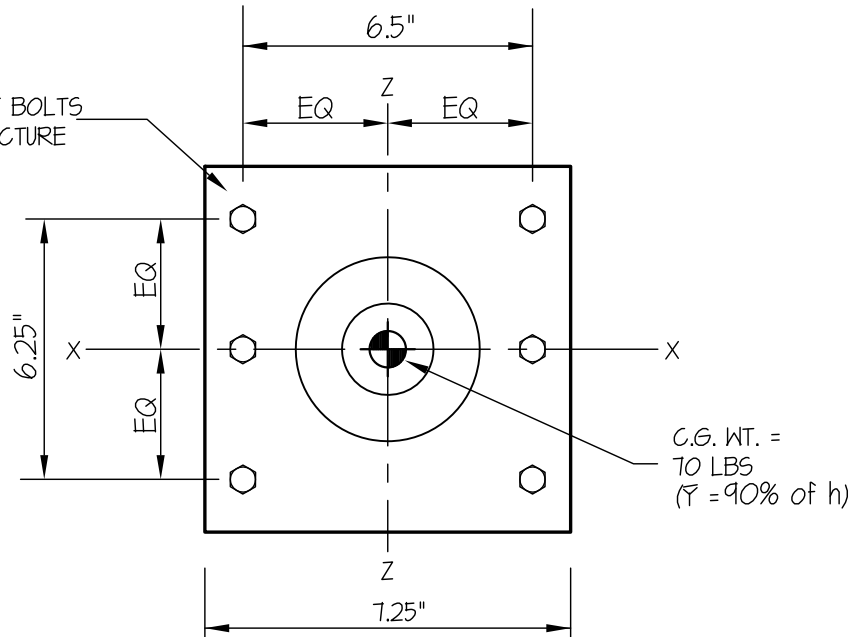
OF **2** SHEETS

**CHIEF - CMA - 345 PROJECTOR MOUNT**

SEISMIC ANCHORAGE

CEILING MOUNTED

USE 4- 1/4"φ A307 BOLTS  
TO SUPPORT STRUCTURE



PLAN AT CEILING PLATE

LOADS:

WEIGHT = 70 LBS (INCLUDES PROJECTOR)  
HORIZONTAL FORCE ( $E_h$ ) = 170 LBS  
VERTICAL FORCE ( $E_v$ ) = 19 LBS

Drop Tube (h)	Moment inch-lbs	Tension lbs/bolt	Shear lbs/bolt
12"	1836	227	28
24"	3672	439	28
36"	5508	650	28
48"	7344	862	28
54" (MAX)	8262	968	28

BOLT GROUP PROPERTIES:

$I_{x-x} = 39 \text{ in.}^4$   
 $I_{z-z} = 42.25 \text{ in.}^4$   
 $I_{y-y} = 102.38 \text{ in.}^4$

MOMENTS:

$M_{xx} = 170\#(48.6") = 8262"\#$   
 $M_{zz} = 170\#(48.6") = 8262"\#$   
 $M_{yy} = 170\#(0") = 0"\#$

BOLT FORCES:

TENSION (T)

$T = \frac{8262"\#(4.5")}{39} + \frac{70\# + 19\#}{6 \text{ BOLTS}} = 968 \text{ LBS/BOLT (MAX)}$

SHEAR (V)

$V = \frac{170\#}{6 \text{ BOLTS}} = 28 \text{ LBS/BOLT (MAX) (PER AISC J3.7, LESS THAN 20% STRESS)}$