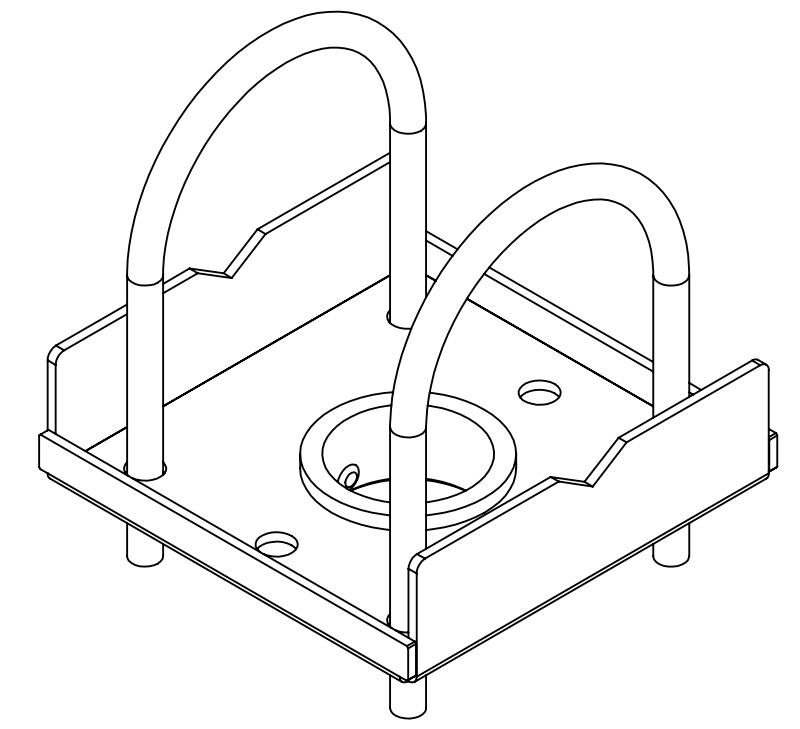
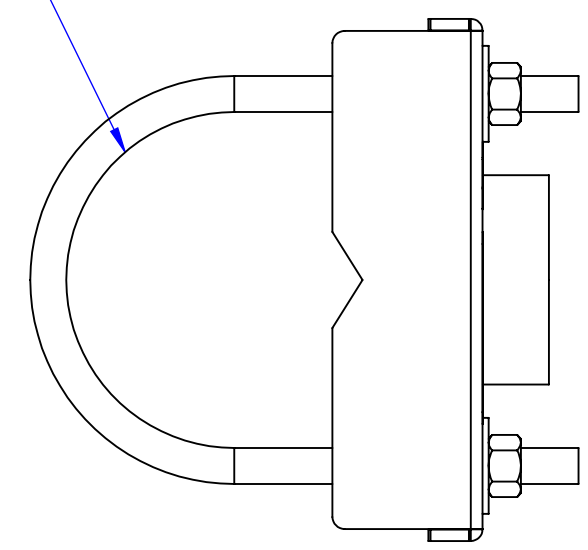
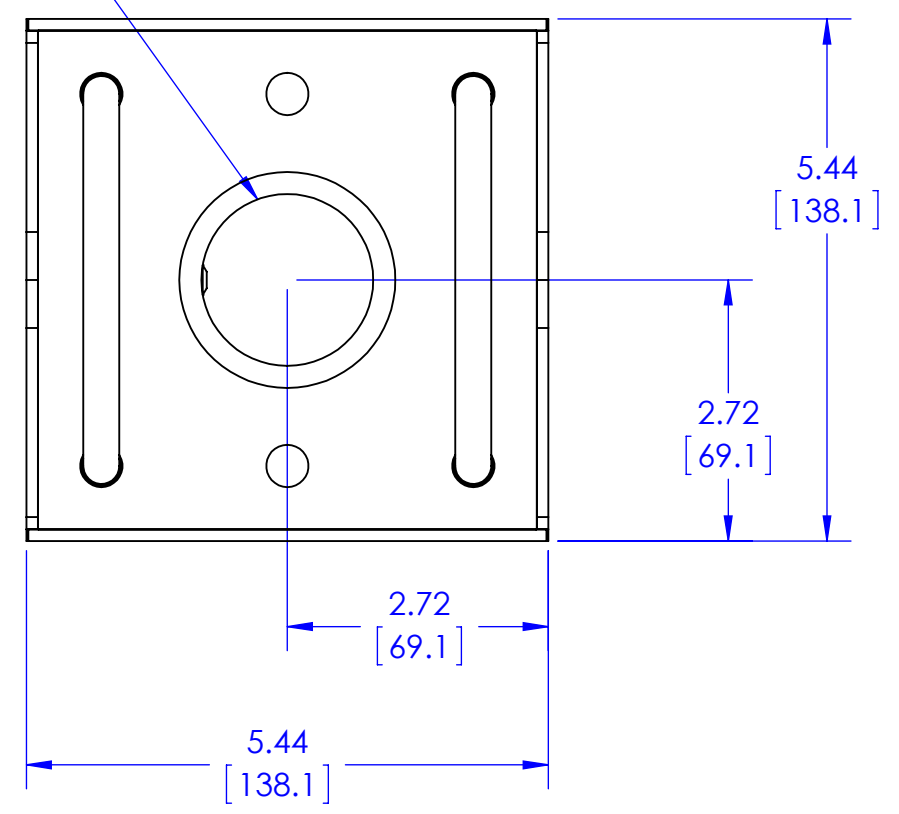


FEMALE 1-1/2" PIPE THREAD FULLY THREADED

CAPACITY:  
1.00" OD TO 3.00" OD  
[25mm TO 75mm]



**THE INFORMATION AND DESIGNS CONTAINED IN THIS DRAWING ARE CONFIDENTIAL AND THE PROPRIETARY PROPERTY OF MILESTONE AV TECHNOLOGIES NEITHER THIS DESIGN NOR ANY INFORMATION CONTAINED IN THIS DRAWING MAY BE REPRODUCED OR DISCLOSED TO OTHERS WITHOUT THE EXPRESS WRITTEN CONSENT OF MILESTONE AV TECHNOLOGIES.**

CAD GENERATED DRAWING, DO NOT MANUALLY UPDATE.			<p>6436 CITY WEST PKWY EDEN PRAIRIE MN, 55344 PHONE: 866-977-3901 FAX: 877-894-6918</p>
DRAWN BY	MW	2/27/2012	
ENG APPROVAL			DESCRIPTION <b>CMA365</b>
MFG APPROVAL			MODEL NO. <b>CMA365</b>
QA APPROVAL			SIZE DWG. NO. REV. <b>B TECH-000014 00</b>
SHEET 1 OF 1			SCALE <b>1:2</b>