

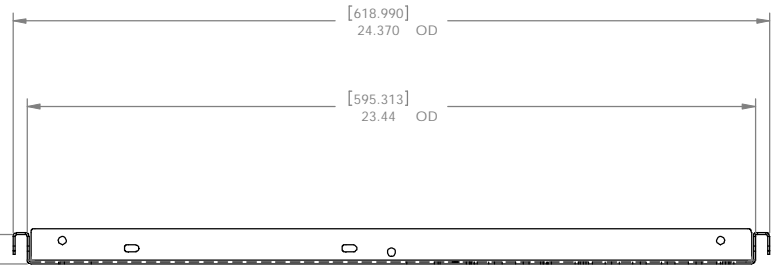
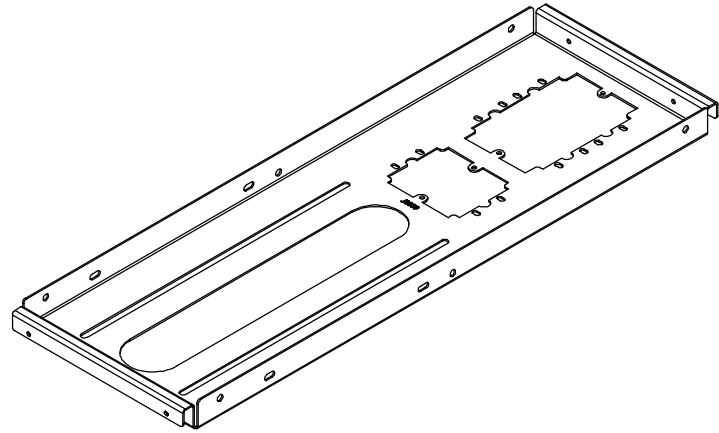
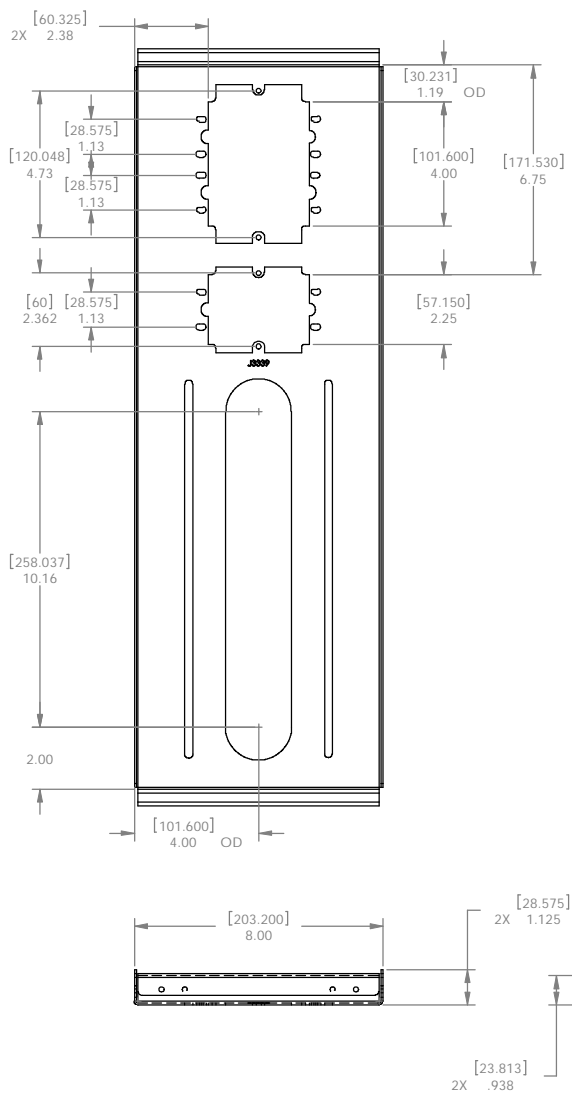
BRACKET ORDER # CMS-440

D

C

B

A



CHIEF MANUFACTURING INC.
 PRODUCT ORDER NUMBER IS CMS-440
 PHONE: 1-800-582-6480

THE INFORMATION AND DESIGNS CONTAINED IN THIS DRAWING ARE CONFIDENTIAL AND THE PROPRIETARY PROPERTY OF CHIEF MFG., INC. NEITHER THIS DESIGN NOR ANY INFORMATION CONTAINED IN THIS DRAWING MAY BE REPRODUCED OR DISCLOSED TO OTHERS WITHOUT THE EXPRESS WRITTEN CONSENT OF CHIEF MFG., INC.

CHIEF 8401 EAGLE CREEK PKY
 SAVAGE, MN 55378
 PHONE: 952-894-6280
 FAX: 877-894-691B

TITLE
 CUSTOMER PRINT
 CMS-440 SPEED CONNECT
 SUSPENDED CEILING PLATE,

SIZE DWG. NO.
 B BRACKET ORDER # CMS-440

1 2 3 4 5 6 7 8

1 2 3 4 5 6 7 8