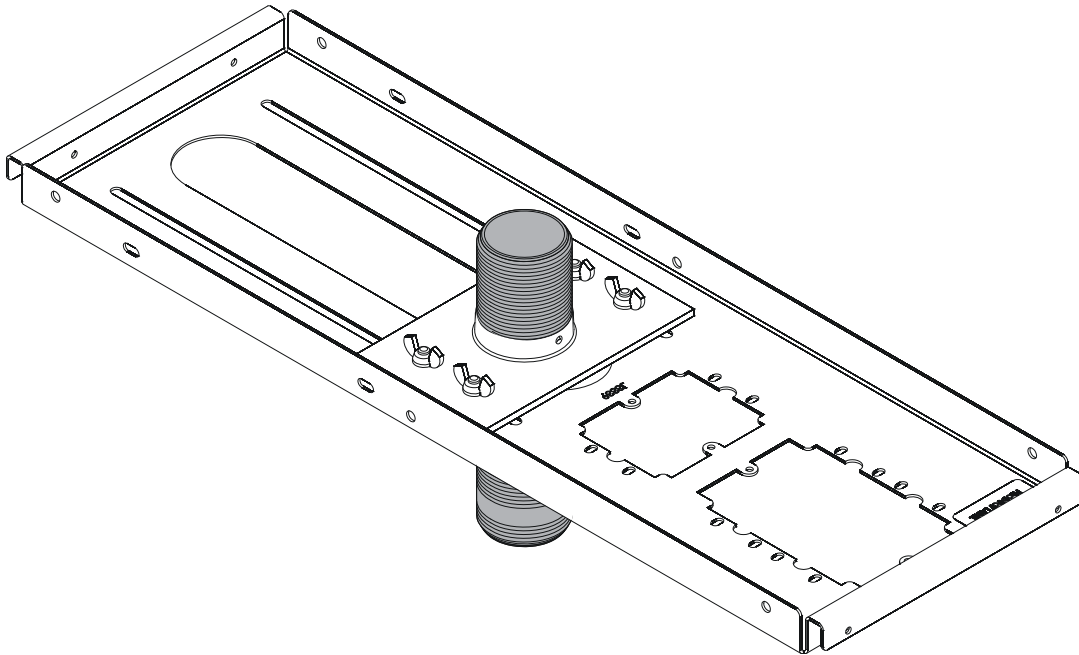

INSTALLATION INSTRUCTIONS



Fully Threaded 6" Extension Columns

Touchboards

205 Westwood Ave, Long Branch, NJ 07740
Phone: 866-94 BOARDS (26273) / (732)-222-1511
Fax: (732)-222-7088 | E-mail: sales@touchboards.com

CHIEF[®]
Our Mounts. Your Vision.

CMSZ006

DISCLAIMER

Milestone AV Technologies, and its affiliated corporations and subsidiaries (collectively, "Milestone"), intend to make this manual accurate and complete. However, Milestone makes no claim that the information contained herein covers all details, conditions or variations, nor does it provide for every possible contingency in connection with the installation or use of this product. The information contained in this document is subject to change without notice or obligation of any kind. Milestone makes no representation of warranty, expressed or implied, regarding the information contained herein. Milestone assumes no responsibility for accuracy, completeness or sufficiency of the information contained in this document.

Chief® is a registered trademark of Milestone AV Technologies. All rights reserved.



WARNING: Failure to read, thoroughly understand, and follow all instructions can result in serious personal injury, damage to equipment, or voiding of factory warranty! It is the installer's responsibility to make sure all components are properly assembled and installed using the instructions provided.



WARNING: Exceeding the weight capacity can result in serious personal injury or damage to equipment! It is the installer's responsibility to make sure the combined weight of all components attached to the CMSZ006 does not exceed 500 lbs (226 kg).

- The weight capacity of the CMSZ006 Extension Column may be LIMITED to the lowest weight capacity of any other component located between the CMSZ006 Extension Column and the supporting structure!



IMPORTANT WARNINGS AND CAUTIONS!

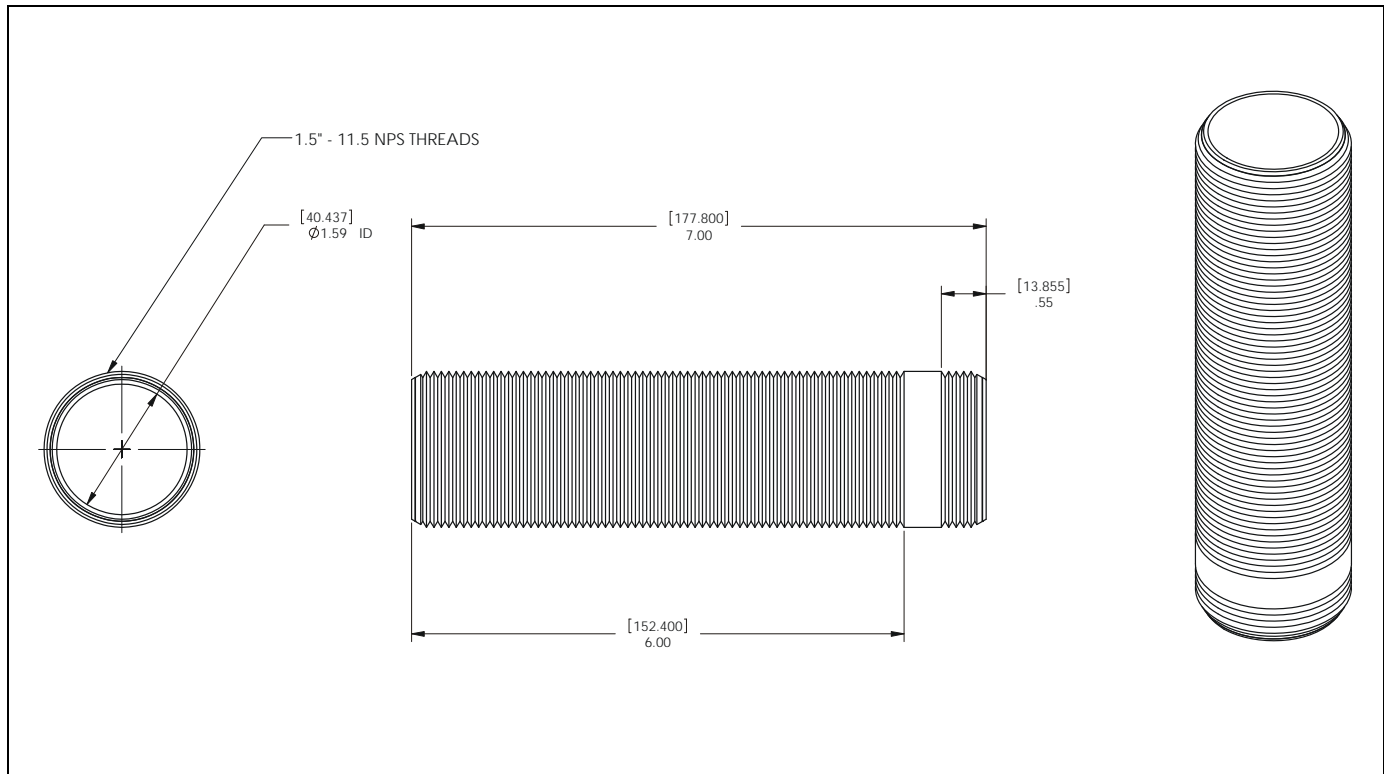


WARNING: A WARNING alerts you to the possibility of serious injury or death if you do not follow the instructions.

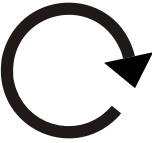



CAUTION: A CAUTION alerts you to the possibility of damage or destruction of equipment if you do not follow the corresponding instructions.

DIMENSIONS





LEGEND

	Tighten Fastener
	Apretar elemento de fijación
	Befestigungsteil festziehen
	Apertar fixador
	Serrare il fissaggio
	Bevestiging vastdraaien
	Serrez les fixations


	Security Wrench
	Llave de seguridad
	Sicherheitsschlüssel
	Chave de segurança
	Chiave di sicurezza
	Veiligheidssleutel
	Clé de sécurité

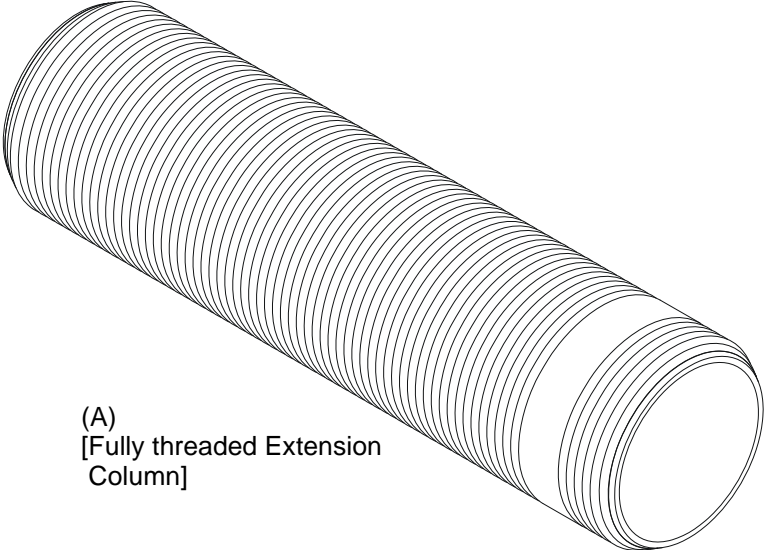
	By Hand
	A mano
	Von Hand
	Com a mão
	A mano
	Met de hand
	À la main

	Hex-Head Wrench
	Llave de cabeza hexagonal
	Sechskantschlüssel
	Chave de cabeça sextavada
	Chiave esagonale
	Zeskantsleutel
	Clé à tête hexagonale

	Optional
	Opcional
	Optional
	Opcional
	Opzionale
	Optie
	En option

PARTS





(A)
[Fully threaded Extension Column]

Installation

The following procedure assumes that the listed ceiling plate/ adapter (accessory purchased separately) has been previously installed. See instructions provided with listed plate/adapter.

NOTE: Intended for use with Chief accessories and mounts.

1. Install 6" fully threaded column extension (A) into plate/ adapter to desired position. Ensure column (A) engages at least five full threads into plate adapter. (See Figure 1)

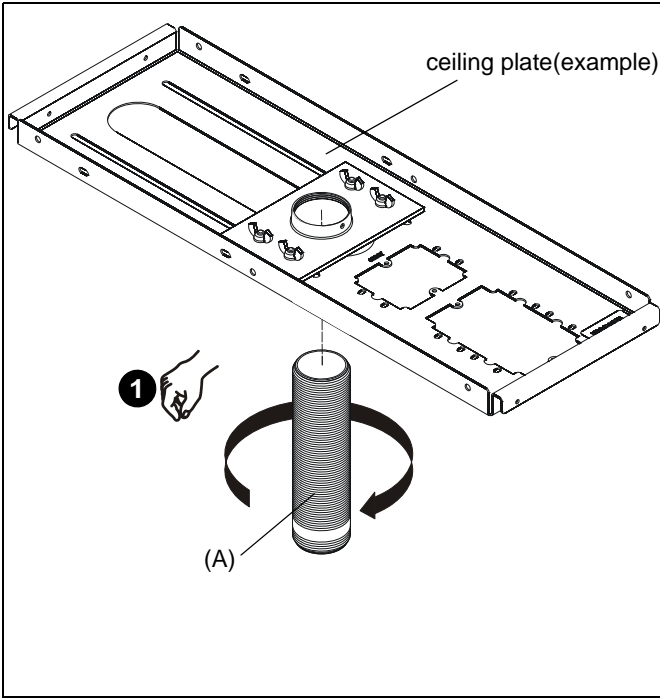


Figure 1

2. Secure column (A) to plate/adapter by tightening set screw in plate/adapter (See Figure 1).

WARNING: Improper installation can result in serious injury or damage to equipment! The set screw in plate/adapter **MUST BE TIGHTENED** in order to fully secure the extension column to the plate/adapter!

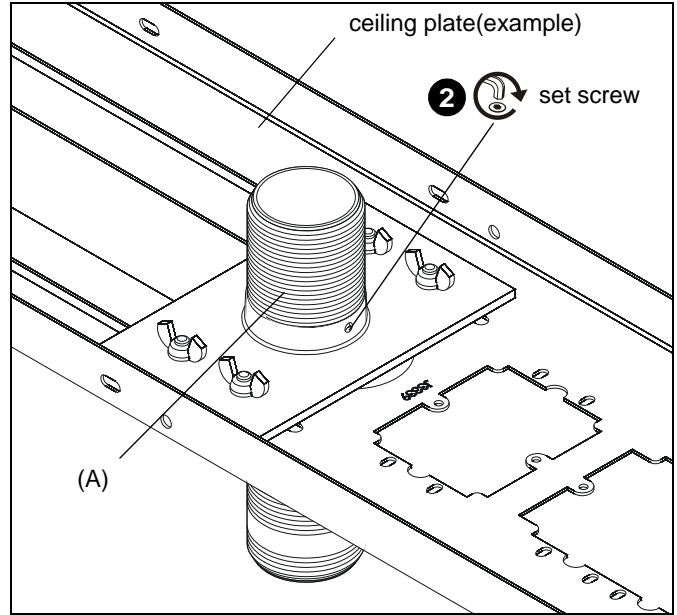


Figure 2

WARNING: Exceeding the weight capacity can result in serious personal injury or damage to equipment! It is the installer's responsibility to make sure the combined weight of all components attached to the CMSZ006 Extension Column does not exceed 500 lbs (226 kg).

NOTE: The weight capacity of the CMSZ006 Extension Column may be LIMITED to the lowest weight capacity of any other component located between the CMSZ006 Extension Column and the supporting structure!

3. Install and secure projector/display mount to lower end of column (A). See instructions provided with mount.



Our Mounts. **Your Vision.**

Chief Manufacturing, a products
division of Milestone AV Technologies

8803-002001 Rev 00

©2009 Chief Manufacturing, a
Duchossois Group Company

www.chiefmfg.com

04/09

USA/International A 8401 Eagle Creek Parkway, Savage, MN 55378
P 800.582.6480 / 952.894.6280

F 877.894.6918 / 952.894.6918

Europe

A Fellenoord 130 5611 ZB EINDHOVEN, The Netherlands

P +31 (0)40 2668620

F +31 (0)40 2668615

Asia Pacific

A Room 24F, Block D, Lily YinDu International Building
LuoGang, BuJi Town, Shenzhen, CHINA.

深圳市布吉罗岗村百合银都国际大厦D栋24F

P +86-755-8996 9226

F +86-755-8996 9217

