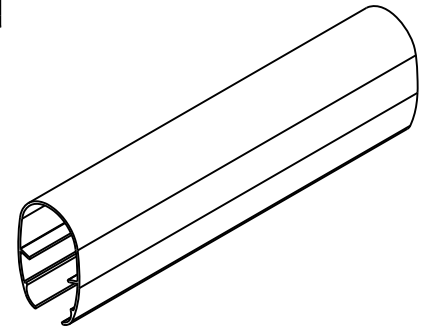
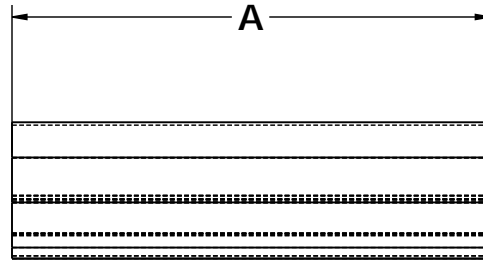
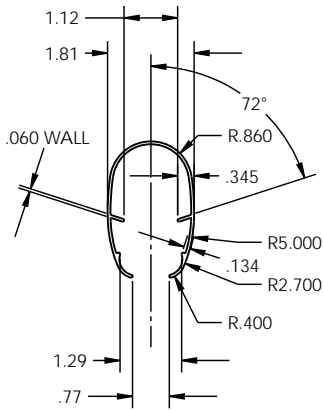


THE INFORMATION CONTAINED IN THIS DRAWING IS THE SOLE PROPERTY OF PREMIER MOUNT DIVISION OF <PMPI>. ANY REPRODUCTION IN PART OR WHOLE WITHOUT THE WRITTEN PERMISSION OF PREMIER MOUNT DIVISION OF <PMPI> IS PROHIBITED.

REVISIONS			
REV.	DESCRIPTION	DATE	APPROVED



NOTES:

1. INTERPRET DRAWING PER (Y14.5)
2. COLOR OPTION (BLACK),(WHITE) OR (GRAY SILVER)

A	PART NO.	DESCRIPTION
1	3304-000-001-XX	PIPE CABLE COVER 1" LG
2	3304-000-002-XX	PIPE CABLE COVER 2" LG
4	3304-000-004-XX	PIPE CABLE COVER 4" LG
12	3304-000-012-XX	PIPE CABLE COVER 12" LG

UNLESS OTHERWISE SPECIFIED DIMENSIONS ARE IN INCHES TOLERANCES ARE: FRACTIONS DECIMALS ANGLES +1/32 -XX ± .02 ± 2 XX ± .01 XXX ± .005		PMPI PIPE CABLE COVER	
MATERIAL: ABS PLASTIC (EXTRUSION)		DO NOT SCALE DRAWING CAD GENERATED DRAWING DO NOT MANUALLY UPDATE	
FINISH: SEE P.O. FOR COLOR:		DATE: 03/22/10	REV: 00
DRAWN BY: [blank]		SCALE: N/A	SHEET: 1 OF 1