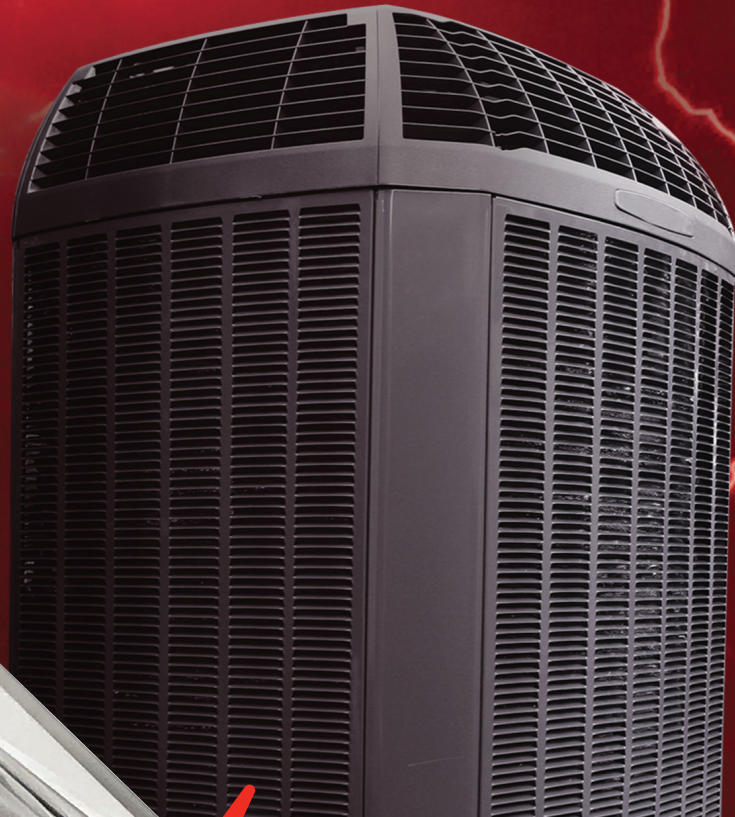




**Protect the most expensive equipment in your home.**



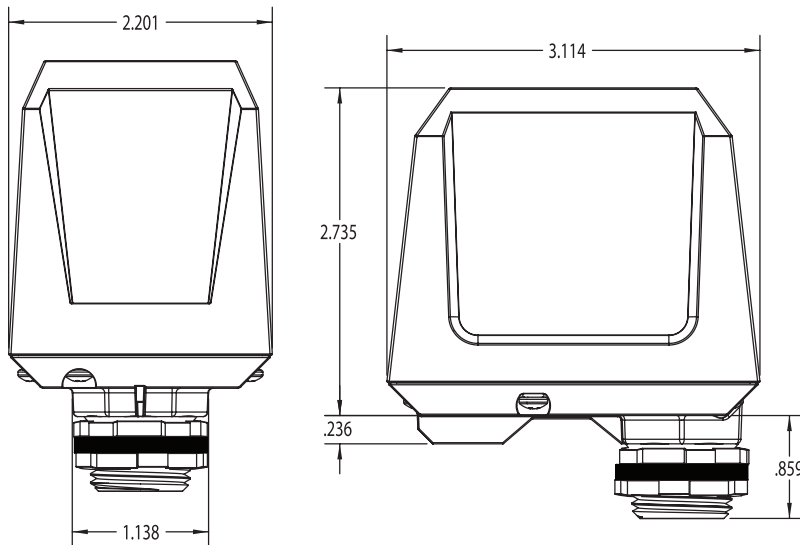
**TPSPD** THERMALLY PROTECTED SURGE PROTECTION DEVICE

**Surge Protection For:** Air Conditioners, Ductless Systems, Furnaces, Heat Pumps, Appliances, Motors and More.

## Surge Device Overview

The 5-2-1® Thermally Protected Surge Protection device is designed to protect HVAC equipment and other high end appliances from damaging electrical surges produced by proximity lightning strikes and other power line transients.

Engineered using the latest in Thermally Protected Metal Oxide Varistor (MOV) technology and independently tested to ensure superior protection and reliability for your customers.



### Surge Protection Highlights:

- Patented thermally protected MOV
- Type 1 or 2 installations
  - A/C disconnect*
  - Junction box*
  - Electrical box*
- NEMA 4X enclosure
  - Outdoor / Indoor use*
- Diagnostic indicator
  - Green LED (ON) - Device active*
  - Green LED (OFF) - Replace device*

**Maximum Surge Current:** 100,000 Amps

**Service Voltage (VAC):** 120/240 (Single - Split Phase), 50 or 60 Hz

**Nominal Discharge Current Rating:** 20kA

**Maximum Continuous Operating Voltage (MCOV):** 150VAC L-N 300VAC L-L

**Voltage Protection Rating (VPR):** 600VAC L-N/G 1200VAC L-L

**Operating Temperature:** 14 °F (-10 °C) to 122 °F (50 °C)

**Approvals:** UL 1449 4th Edition, ANSI, cUL

**Warranty:** 3 years and a Connected Equipment warranty up to \$10,000

