

# CT-I30 Installation Guide

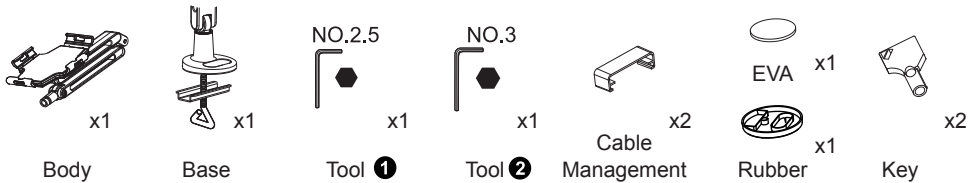
## ⚠ Important

\* Please activate your warranty at [www.MyLumens.com/reg](http://www.MyLumens.com/reg)

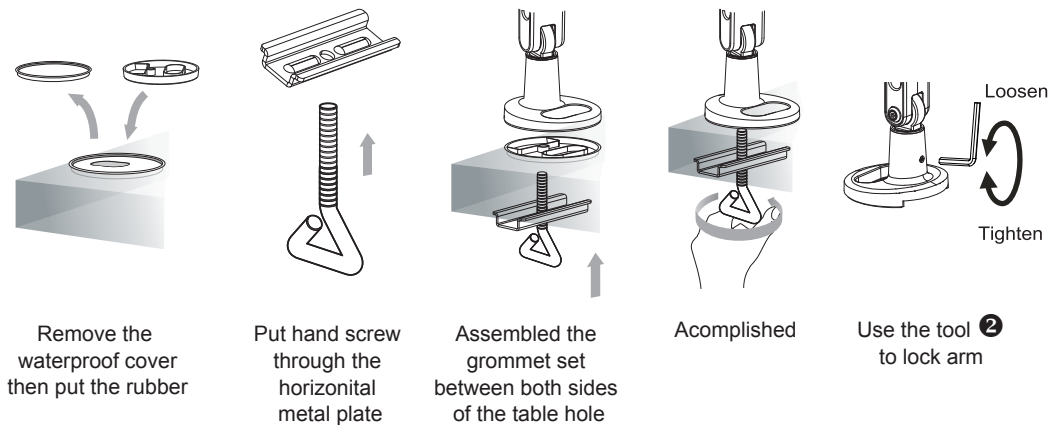
\* To download the latest version of Quick Start Guide, multilingual user manual, software, or driver, etc., please visit Lumens<sup>TM</sup> <http://www.MyLumens.com/support.php>

\* To ensure successful installation, please be sure to follow each of the following steps.

## 1. Accessories



## 2. Arms Installation



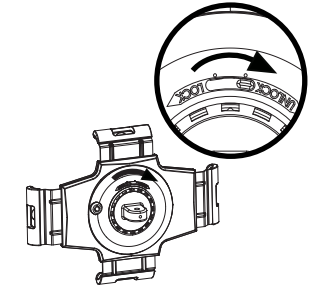
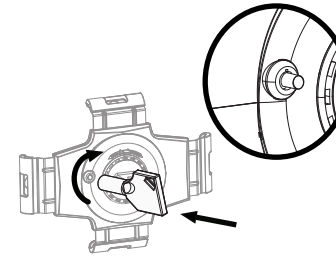
\* When the base and arm joints are loose, use the long side of tool ② to lock arm.

## 3. Pad Installation

Caution: Claws can only be adjusted in "unlock" position do not try to adjust the claws in "lock" position.

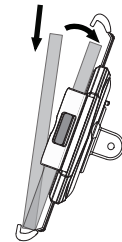
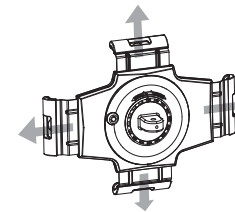
Ⓐ Use key to unlock the security lock

Ⓑ Unlock the claw lock

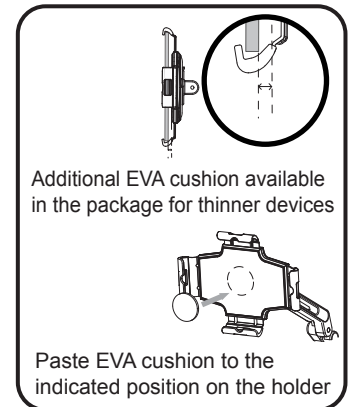
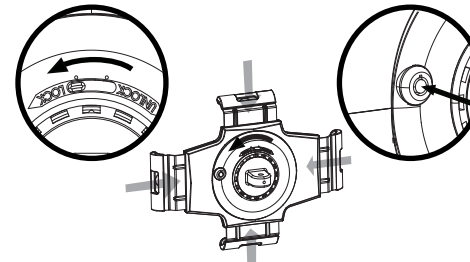


Ⓒ Pull out each fixed claw to extend position

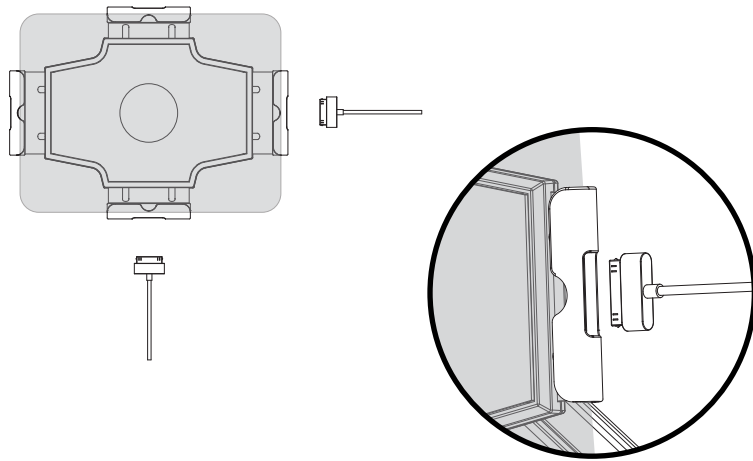
Ⓓ Place pad product



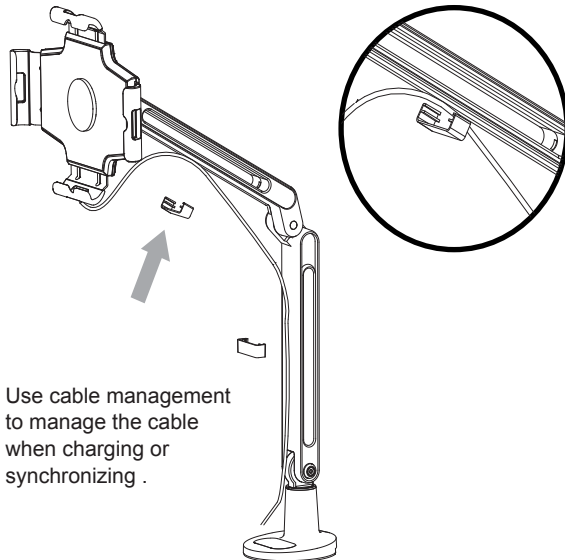
Ⓔ Push the claws toward PAD to be fixed and locked by switch, then press the knob in the security lock position



## 4. Charging

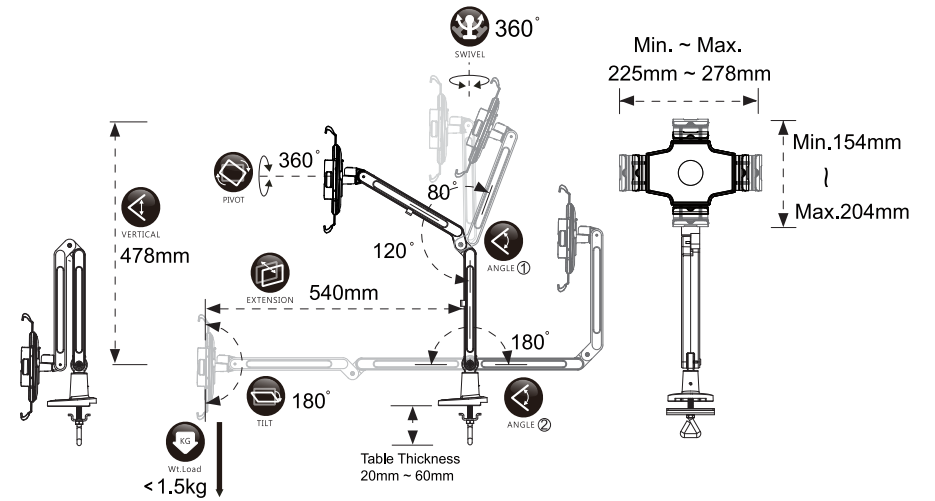


## 5. Cable Route



Use cable management to manage the cable when charging or synchronizing .

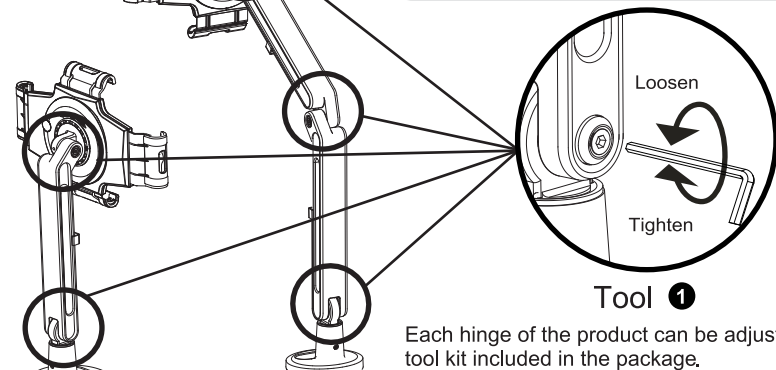
## 6. Features



## 7. Tension Adjustment

### Caution

All products are adjusted to the most suitable tension before leaving the factory, do alter unless necessary. Screws/hinges during usage will loose, use the tool kit included to tighten them.



Each hinge of the product can be adjusted easily with the tool kit included in the package.