



PRODUCT SPECIFICATIONS

PC Module 27-VP

FOR USE
WITH 6000A+ &
7000XT SERIES
PANELS

Features:

Ultra HD Display for stunning visuals

High speed storage with an NVMe drive for faster data transfer speeds

High speed memory for responsive experience

Powerful processing optimized for multimedia applications



Different look, same singular quality

Clear Touch's new PC offers a new form factor with the same desktop-grade component quality you have come to expect from our PCs. This PC is a desktop battleship that will allow teachers to easily navigate our Snowflake software while hosting virtual learning sessions on the panel when necessary. We are confident that it will pair well with our new panels to continue serving the classroom.

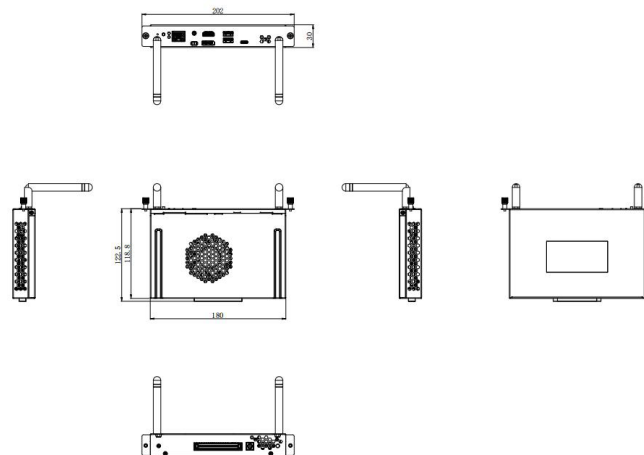
CPU		Interface	
CPU	Intel® Core™ i7 12700T CPU	USB	1 × USB 3.0 Type-C 2 × USB 3.0 Type-A
Core	12	Audio	1 × Audio Combo Jack (Pink)
Threads	20	Ethernet	1 × RJ45 (10/100/1000M)
Base Frequency	1.4 GHz	HDMI OUT	1 × HDMI (Max resolution 3840 × 2160@30Hz)
Max Frequency	4.7 GHz	DP OUT	1 × DP (Max resolution 3840 × 2160@60Hz)
TDP	35W	HDD_LED	1
Cache	25MB	Power_LED	1
Chipset	Intel® Q670	Antenna	2 × 2 4G/5G Dual frequency antenna
Memory		Power button	1
Type	Dual channel DDR4 3200MHz	Kensington Lock	1
Interface	2 × 260-Pin DDR4 SODIMM	80Pin OPS Interface	
Max Size	16GB	HDMI	1 × HDMI (Max resolution 3840 × 2160@60Hz)
Graphics		USB	1 × USB 3.0 3 × USB 2.0
Type	Intel® UHD Graphics 770	DC Power	12~19V DC
Storage			
Type	1 × M. 2-2280 SSD NVMe 512GB		
Expansion			
WLAN	IEEE 802.11 a/b/g/n/ac/ax		

Operating System	
Type	Windows 10 and 11
TPM	
Type	fTPM - Supports TMP 2.0
Power	
Input Power	12V~19V DC
Max Power Consumption	65W
Standby Power Consumption	0.6W
Environmental	
Operation Temperature	-0°C ~ 45°C / 32°F ~ 113°F
Operation Humidity	10% ~ 90%RH
Storage Temperature	-20°C ~ 60°C / -4°F ~ 140°F
Storage Humidity	0% ~ 90%RH
Physical Specifications	
Dimensions without package (L×W×H)	202mm × 132mm × 30mm 7.95" × 5.19" × 1.18"

I/O Interface	Quantity
USB 3.1 (Gen 1) Type-C	1
USB 3.0	2
HDMI Out	1
Kensington Lock	1
Audio Combo Jack	1
LAN (RJ45)	1
Power Status LED	1
HDD Status LED	1
Power Button	1

Sequence: From left to right, top to bottom.

Size and weight vary by configuration and manufacturing process, please refer to the actual product. The product images are for illustrative purposes only and may slightly differ in appearance, color, size, etc. from the actual product. The description, illustrations, etc. in this document may subject to change in accordance with the latest product specification and performance. Should the above-mentioned change in the document become necessary, the document may be updated without written notice.



Clear Touch provides the following services for the PC Modules:

PC27-VP - PC without OS installation; **PC27-VPW** - PC with CT image and Windows licensing; **PC27-VPU** - PC with CT image w/o Windows licensing