

THIS IS ISSUED IN STRICT CONFIDENCE THAT IT IS NOT USED AS A BASIS FOR MANUFACTURE OR SALE AND THAT IT IS NOT COPIED, REPRINTED OR DISCLOSED TO A THIRD PARTY EITHER WHOLLY OR IN PART WITHOUT THE PRIOR WRITTEN CONSENT OF CAL TEST ELECTRONICS, INC.

REVISIONS			
REV.	DESCRIPTIONS	DATE	APPROVED
-	CLASS A RELEASED	7/12/99	
A	NOTE 3: ADDED IEC 61010-031 600 CAT IV & RoHS; REVISED PLUG CONFIGURATION, PAGE 2.	2/7/05	

- 4mm BANANA PLUG LEAD, STACKING SHEATHED PLUG TO STACKING SHEATHED PLUG, 0.75mm<sup>2</sup>, SILICONE JACKETED WIRE. CE MARK AND CSA LISTED (US AND CANADA).
- SPECIFICATIONS:  
 WIRE:  
 REINFORCED SILICONE (-60° C TO +180° C)  
 195x0.07mm STRANDED BARE COPPER, 0.75mm<sup>2</sup> CROSS SECTION, 18 AWG, Ø.146±.008 (Ø3.7±0.2mm) O.D.  
  
 INSULATED HOUSING:  
 POLYPROPYLENE THERMOPLASTIC, UL94V-0.  
  
 CONTACT:  
 4mm, 9 LEAF, BERYLLIUM COPPER, NICKEL PLATED.  
 PLUG BODY:  
 BRASS, NICKEL PLATED.
- RATING:  
 IEC 61010-031 @ 600 V CAT IV - 1,000 V CAT III P2.  
 CURRENT: 12 A MAX.  
 INTERNAL RESISTANCE: 55 mΩ MAX @ 200 cm LENGTH.  
 TEMPERATURE: -25° C TO +80° C.  
  
 CE DECLARATION OF CONFORMITY, LVD  
 CONFORMS TO RoHS DIRECTIVE 2002/95/EC.



**PART NUMBER**

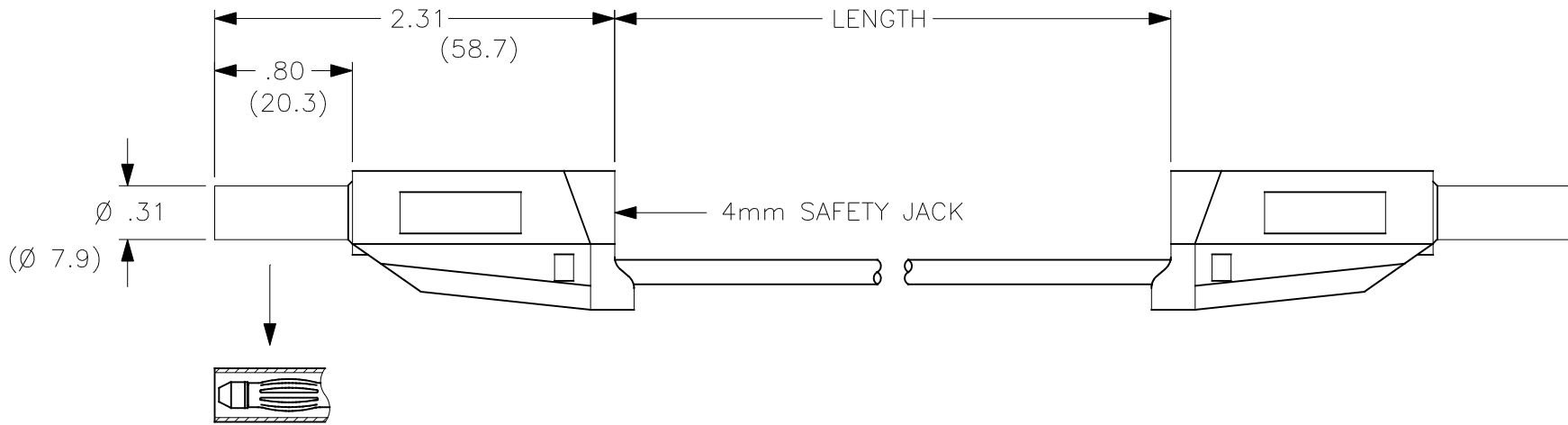
**CT2521-L-#**

- COLOR:
- 0 - BLACK
  - 2 - RED
  - 4 - YELLOW
  - 5 - GREEN
  - 6 - BLUE
  - 9 - WHITE

LENGTH: (CENTIMETERS)  
 STANDARDS: 10, 25, 50, 100, 150, 200

THIRD ANGLE PROJECTION		UNLESS OTHERWISE SPECIFIED DIMENSIONS ARE IN INCHES TOLERANCES ARE: FRACTIONS    DECIMALS ± 1/32        .XX ± .02 .XXX ± .005 DO NOT SCALE DRAWING	CONTRACT NO.		<b>Cal Test Electronics</b> 22820 Savi Ranch Parkway Yorba Linda, CA 92887-4610			
			APPROVALS	DATE	TITLE			
		MATERIAL	DRAWN    WDH	7/12/99	LEAD, 4mm STACKING SHEATHED PLUGS, 0.75mm <sup>2</sup> , SILICONE			
		FINISH	CHECKED		SIZE	CAGE CODE	DWG. NO.	REV.
NEXT ASSY	USED ON		ENGR.		A	43F45	P252100	A
APPLICATION			DESIGN ACTIVITY		SCALE	NONE		SHEET 1 OF 2

THIS IS ISSUED IN STRICT CONFIDENCE THAT IT IS NOT USED AS A BASIS FOR MANUFACTURE OR SALE AND THAT IT IS NOT COPIED, REPRINTED OR DISCLOSED TO A THIRD PARTY EITHER WHOLLY OR IN PART WITHOUT THE PRIOR WRITTEN CONSENT OF CAL TEST ELECTRONICS, INC.



DRAWN		7/12/99	SIZE	CAGE CODE	DWG. NO.	REV.
WDH			<b>A</b>	<b>43F45</b>	<b>P252100</b>	<b>A</b>
CHECKED			SCALE	1:1	SHEET	2