

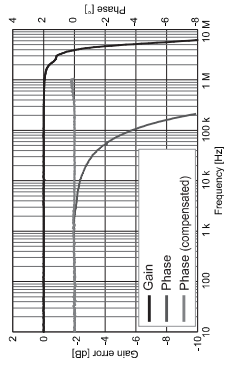
Phase Compensation Values

Enter the following compensation values (characteristic values) when performing phase compensation on the PW6001 or PW3390.
300kHz, -9.82° (CT6904A, CT6904A-1 common)

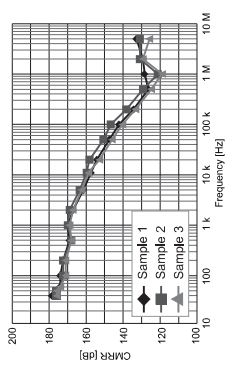
The 300 kHz phase measured value noted in the test report can be used as the phase compensation value. In theory, using this value will allow more accurate measurement than is possible when using the representative value. There's no need to enter compensation values for the PW8001 as that instrument reads sensor information from memory and performs compensation automatically.

Characteristics (CT6904A)

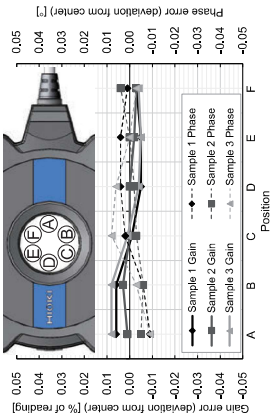
Frequency characteristics (Typical)



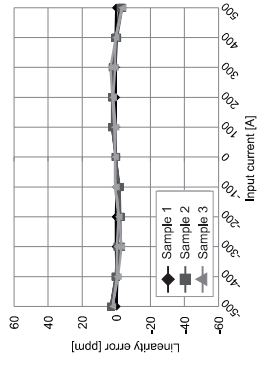
CMRR (Typical)



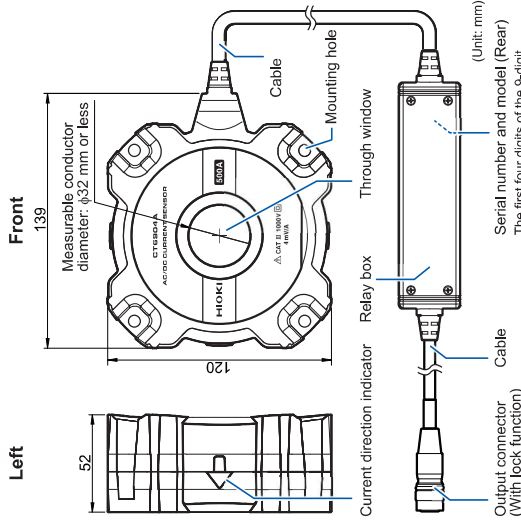
Effects of conductor position (Typical) (at 100 kHz)



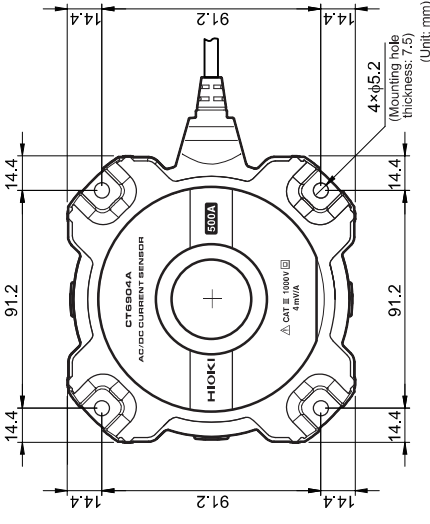
Linearity error (Typical)



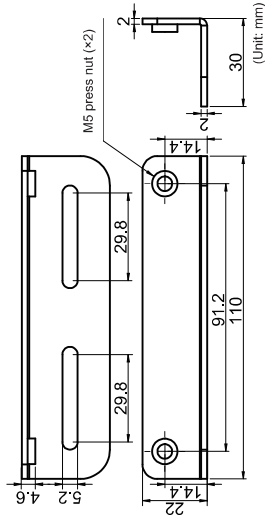
Part Names and Dimensions



Mounting hole dimensions



Mounting hardware dimensions (Option)



Example Installation/Mount

To facilitate high-precision measurement, the measured conductor must be as short as possible. Determine how to mount the device so that the measured conductor is as short as possible.

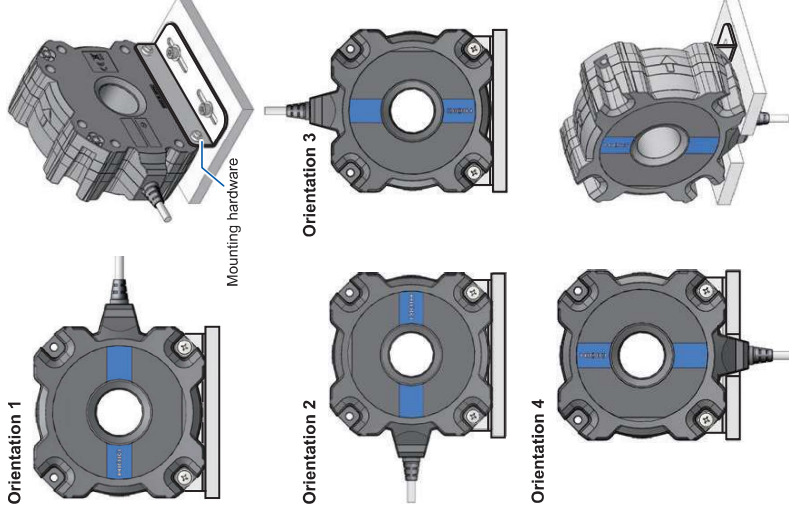
Recommended tightening conditions

- Nominal screw size: M5
- Screw length: 20 mm or more
- Tightening torque: 1.5 N•m to 2.0 N•m
- Use a washer and lock washer

There are two ways to mount the sensor:

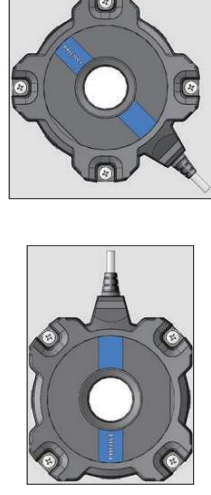
1. Using the mounting hardware

The sensor can be mounted in four orientations.



2. Mounting directly

The sensor can be mounted in the desired orientation.



Measurement Procedure

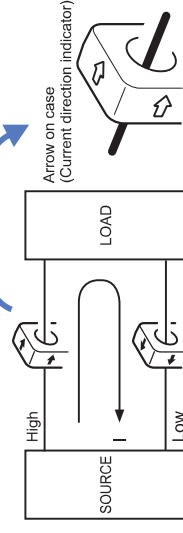
Inspection Before Use

Check the device for any damage that may have occurred during storage or shipping before use. If you find any damage to the device, please contact your authorized Hioki distributor or reseller for repair.

Check Items	Remedy
Is the device cracked or damaged?	If there is any damage, electric shock may result. Discontinue use and contact your authorized Hioki distributor or reseller.
Is the cable insulation torn?	Broken connections will make proper measurement impossible. Discontinue use and contact your authorized Hioki distributor or reseller.
Is the cable broken at the base (of the connector or the sensor)?	Broken connections will make proper measurement impossible. Discontinue use and contact your authorized Hioki distributor or reseller.

Wiring

Make sure the direction of the arrow on the case matches the direction of the current flow, as shown in the figure below. If they are oriented incorrectly, the output signal from the sensor will be reversed. When using the device in combination with a power meter, conform to the power meter's wiring method.



IMPORTANT

