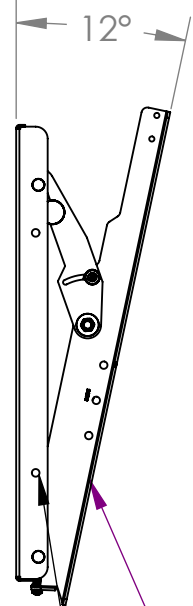
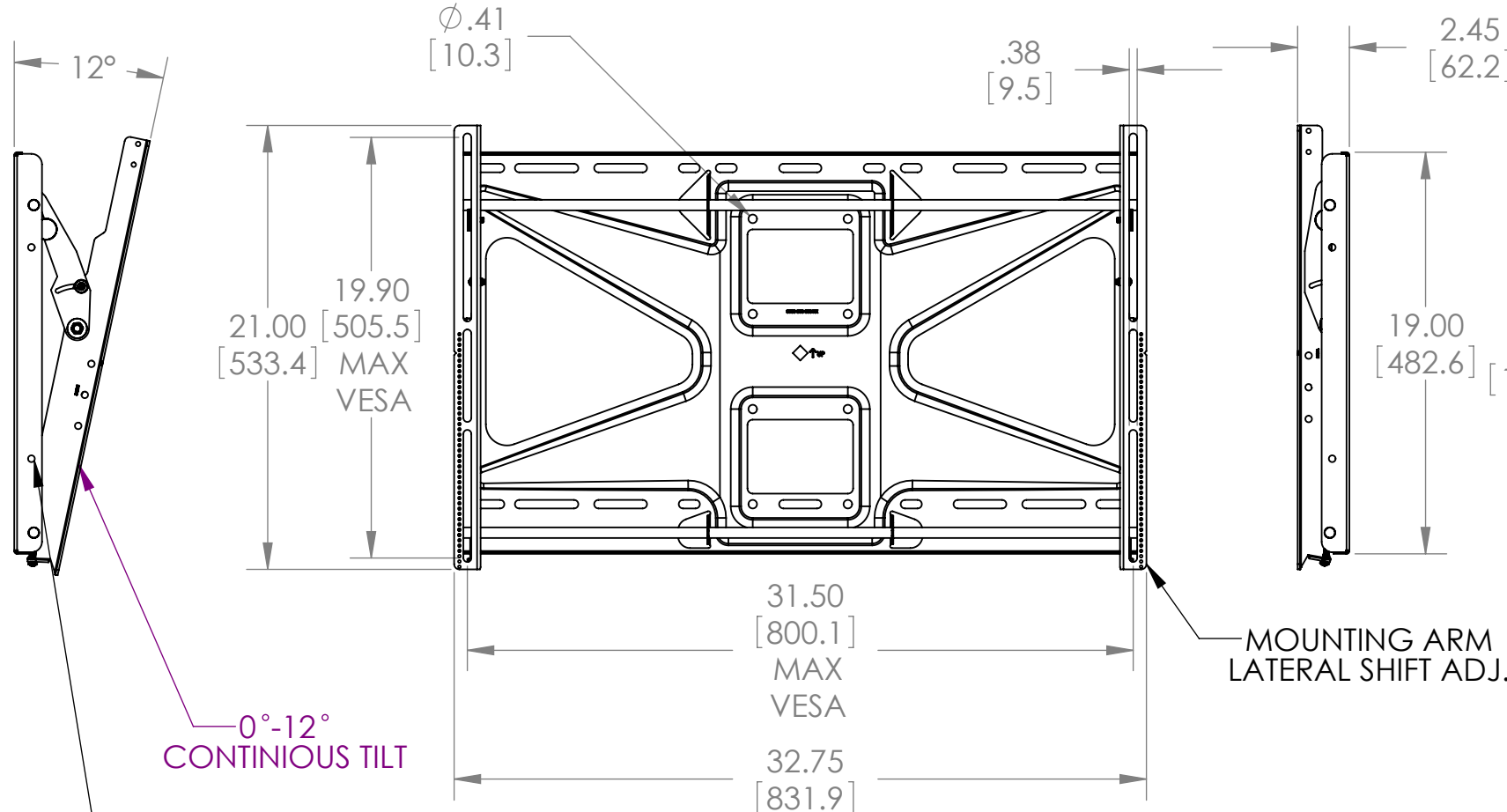
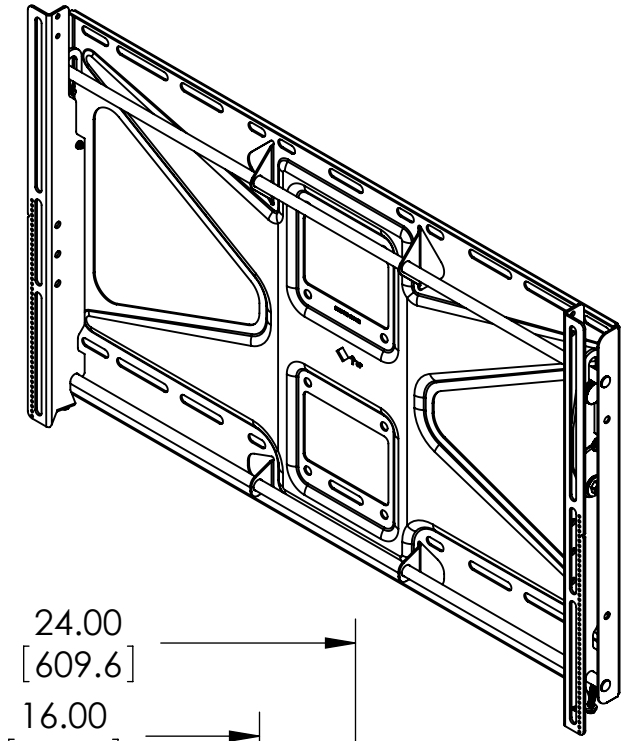
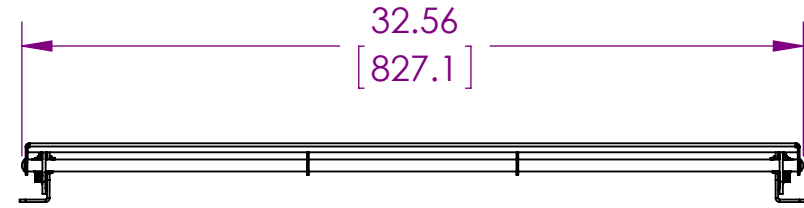


THE INFORMATION CONTAINED IN THIS DRAWING IS THE SOLE PROPERTY OF PREMIER MOUNTS DIVISION OF <PMPI> ANY REPRODUCTION IN PART OR WHOLE WITHOUT THE WRITTEN PERMISSION OF PREMIER MOUNTS DIVISION OF <PMPI> IS PROHIBITED.

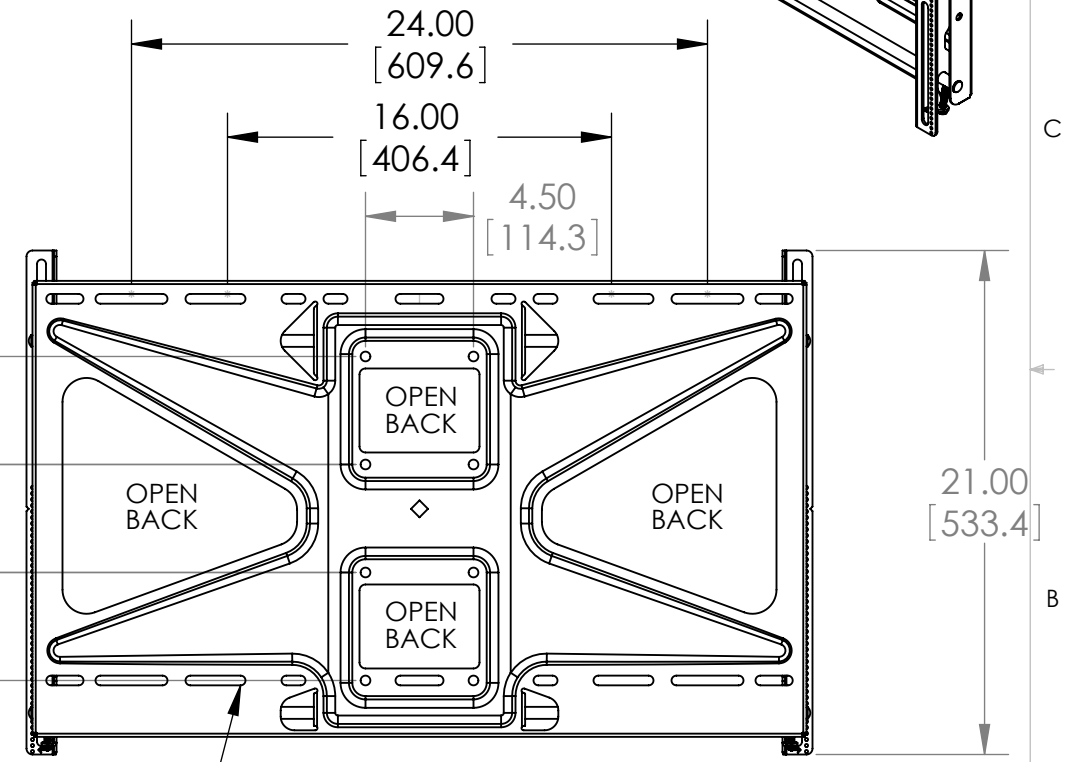


0°-12° CONTINUOUS TILT

(OPTION) BACK PLATE MAY BE BOLTED SIDE BY SIDE FOR VIDEO WALL APPLICATIONS

MOUNTING ARM LATERAL SHIFT ADJ.

BACK PLATE LATERAL SHIFT ADJ.



PREMIER MOUNTS
 THE ORIGINAL MOUNT COMPANY
 1321 South State College Blvd
 Fullerton Ca, 92831
 P. 800.368.9700 - F. 800.832.4888

ITEM DESCRIPTION:
FLAT PANEL TILTING MOUNT

SIZE B DWG. NO. **CTM-MS2**

SCALE: 1:8 SHEET 1 OF 1