

40 kV High-Voltage DMM Probe

CT2700A



Features:

- Measures up to 40 kV DC or 28 kV AC
- Attenuation factor 1000x
- Replaceable tips
- Accuracy $\pm 1\%$ to 20 kV DC
- Sheathed 4mm banana plugs
- RoHS 2 Compliant
- IEC 61010-031
- CE Mark
- One-year warranty

Description:

Cal Test Electronics introduces the CT2700A High Voltage DMM Probe, successor to the CT2700. This probe is designed to be used with a digital multimeter having a 10 M Ω input impedance, enabling accurate measurement of voltages up to 40 kV DC (28 kV AC).

The probe's 1000x attenuation ratio simplifies readings, where 1 V displayed equating to 1000 V actual. With the integration of 4 mm fixed sheathed banana plugs, this probe adheres to the latest IEC 61010-031 international safety standard.

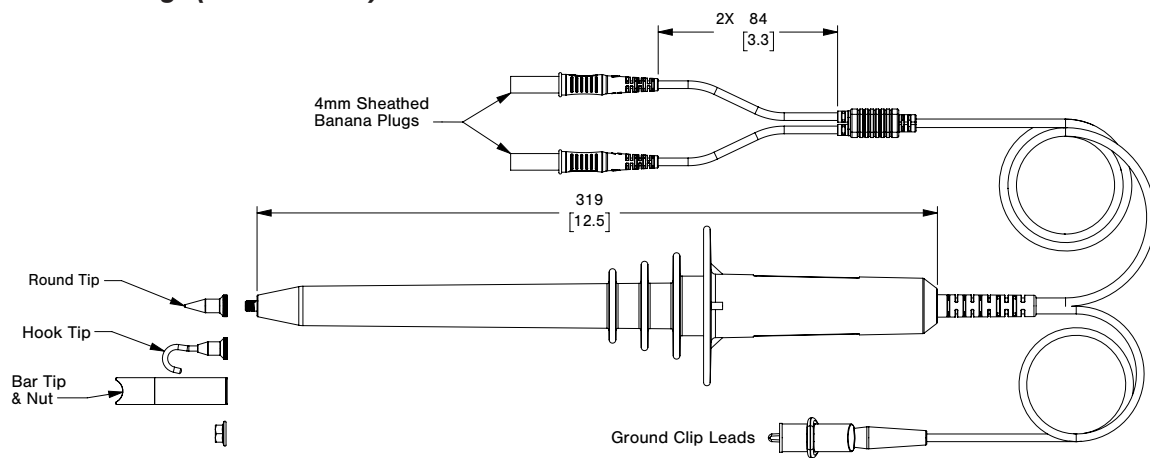
Backed by 1-year warranty and RoHS compliant, the CT2700A probe is the tool for your high voltage measurement needs. The probe is intended for low-energy, non-category applications.

For additional product information, cross-references, or other test accessory information, visit www.caltestelectronics.com.

Specifications:

- Voltage Rating: 40 kV (DC+AC peak) or 28 kV ACrms
- Division Ratio: 1000:1
- Bandwidth: DC to 300 Hz (-3 dB)
- Input Resistance: 1000 M Ω
- VDC Accuracy: $\pm 1\%$ (<20 kV)
- Operating Temperature: 0°C to +50°C
- Cable Lengths: 1 m

Outline Drawing: (not to scale)



Ordering Information:

CT2700A

40 kV High-Voltage DMM Probe

Order Example:

CT2700A

Contact Info:

Phone: 714-221-9330

Fax: 714-921-9849

22820 Savi Ranch Pkwy.

Yorba Linda, CA 92887-4610 USA

www.caltestelectronics.com

Copyright © Cal Test Electronics, Inc. All rights reserved. Information in this publication supersedes that in all previously published material. Trade names referenced are the service marks, trademarks or registered trademarks of their respective companies.