

Insulated Spring Hook Probe, Pair

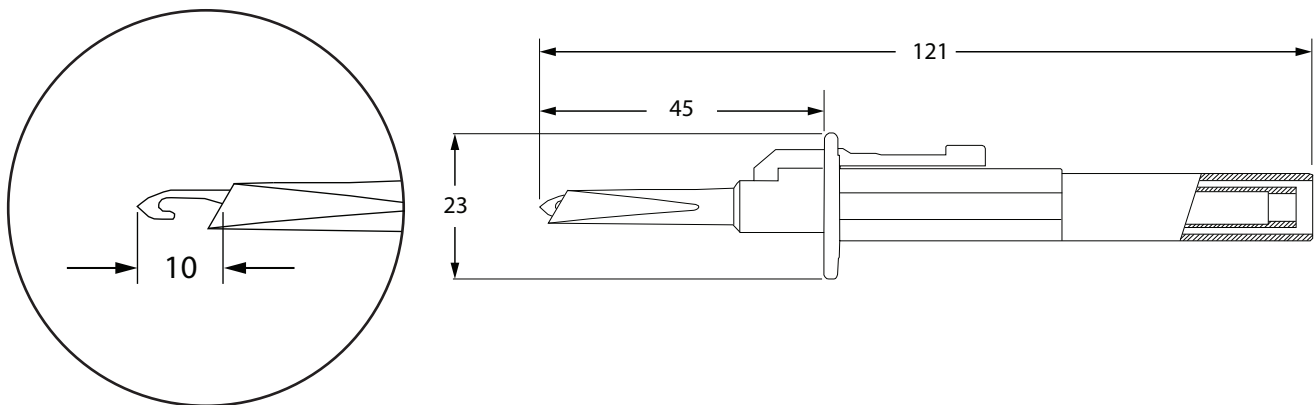
CT4386

Features:

- IEC Rating - 1,000V CAT III
- Current Max - 20 A
- Length and Width - 121.2 x 22.8 mm



Drawing: (Dimensions in mm, not to scale)



Specifications and appearance subject to change without notice
D438600 010319

1 - www.caltestelectronics.com

Order Information:

CT4386

Insulated Spring Hook Probe, Pair

Contact Info:

Toll Free: 800-572-1028 (US Only)

Phone: 714-221-9330

Fax: 714-921-9849

22820 Savi Ranch Parkway

Yorba Linda, CA 92887-4610 USA

www.caltestelectronics.com



Copyright © 2019, Cal Test Electronics, Inc. All rights reserved. Information in this publication supersedes that in all previously published material. Trade names referenced are the service marks, trademarks or registered trademarks of their respective companies.