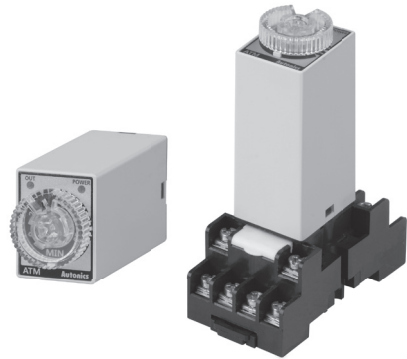


# ATM Series

## W21.5×H28mm Miniature Timer

### ■ Features

- Miniature Size (W21.5×H28×L59.3mm)
- 4c (4PDT) contact (250VAC, 3A)
- High precise time control
- Easy time setting using dial
- Various time ranges
  - : 0.1 sec to 3 hour (11 time ranges, different by models)
- Power supply
  - ATM4-2: 24VDC
  - ATM4-5: 220VAC 50/60Hz
  - ATM4-6: 110VAC 50/60Hz



Mounting My socket  
(sold separately)

### ■ Ordering Information

<b>ATM</b>	<b>4</b>	<b>—</b>	<b>5</b>	<b>10</b>	<b>S</b>	
						Time unit
						Time range
						Power supply
						Output
						Item
					S	Sec (1, 5, 10, 30, 60)
					M	Min (3, 5, 10, 30, 60)
					H	Hour (3)
					Number	Max. time range
					2	24VDC
					5	220VAC 50/60Hz
					6	110VAC 50/60Hz
					4	4c (4PDT)
					ATM	Miniature Analog Timer

### ■ Specifications

Model	ATM4 - 2□S 2□M 23H	ATM4 - 5□S 5□M 53H	ATM4 - 6□S 6□M 63H
Function	<b>Power ON Delay</b>		
Control time setting range <sup>※1</sup>	0.1sec to 3hour		
Power supply	24VDC≒	220VAC~ 50/60Hz	110VAC~ 50/60Hz
Allowable voltage range	21.6-26.4VDC≒	200-230VAC~ 50/60Hz	100-120VAC~ 50/60Hz
Power consumption	Approx. 1.2W	Approx. 3VA	Approx. 3VA
Return time	Max. 100ms		
Timing operation	Power ON Start		
Control output	Contact type 4PDT (4c)		
	Contact capacity 250VAC~ 3A, 24VDC≒ 3A resistive load		
Relay life cycle	Mechanical Min. 10,000,000 operations		
	Electrical Min. 200,000 operations		
Repeat error	Max. ±0.5% ±10ms		
SET error	Max. ±10% ±50ms		
Voltage error	Max. ±0.5% ±10ms		
Temperature error	Max. ±2% ±10ms		
Insulation resistance	Over 100MΩ (at 500VDC megger)		
Dielectric strength	3,000VAC 50/60Hz for 1 min		
Noise immunity	±2kV the square wave noise (pulse width: 1μs) by noise simulator		
Vibration	Mechanical 0.75mm amplitude at frequency of 10 to 55Hz (for 1 min) in each X, Y, Z direction for 1 hour		
	Electrical 0.5mm amplitude at frequency of 10 to 55Hz (for 1 min) in each X, Y, Z direction for 10 min		
Shock	Mechanical 300m/s <sup>2</sup> (approx. 30G) in each X, Y, Z direction 3 times		
	Electrical 100m/s <sup>2</sup> (approx. 10G) in each X, Y, Z direction 3 times		
Environment	Ambient temperature -10 to 50°C, storage: -25 to 65°C		
	Ambient humidity 35 to 85%RH, storage: 35 to 85%RH		
Weight <sup>※2</sup>	Approx. 48g (approx. 42g)		

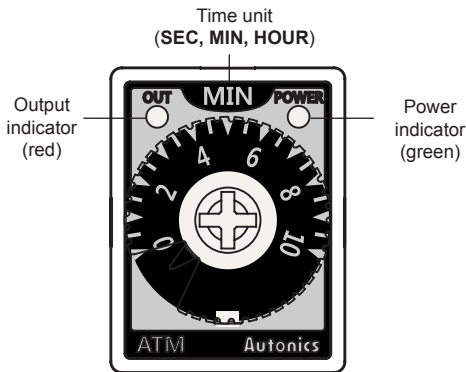
※1: Refer to time specifications for control time setting range by model.

※2: The weight includes packaging. The weight in parenthesis is for unit only.

※Environment resistance is rated at no freezing or condensation.

# Miniature Analog Timer

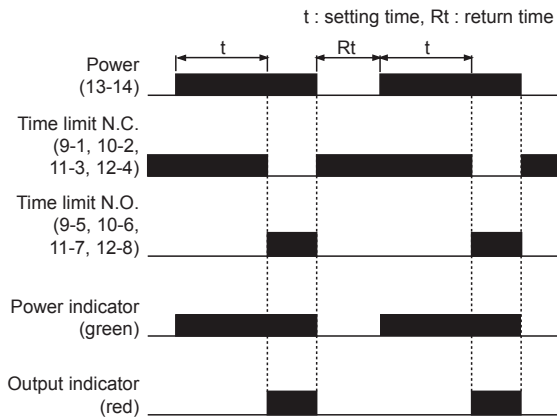
## Unit Descriptions



## Time Specifications

Model	Time unit	Time setting range
ATM4-□1S	SEC	0.1 to 1sec
ATM4-□5S		0.5 to 5sec
ATM4-□10S		1 to 10sec
ATM4-□30S		3 to 30sec
ATM4-□60S	MIN	6 to 60sec
ATM4-□3M		0.3 to 3min
ATM4-□5M		0.5 to 5min
ATM4-□10M		1 to 10min
ATM4-□30M	MIN	3 to 30min
ATM4-□60M		6 to 60min
ATM4-□3H	HOURL	0.3 to 3hour

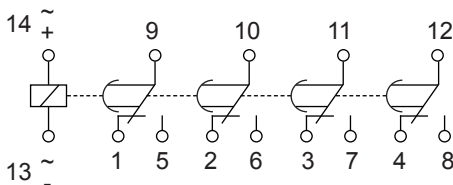
## Operation Specifications



## Connections

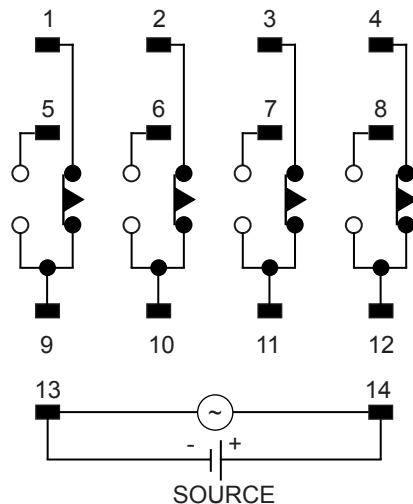
SOURCE	ATM4-2□□	24VDC 1.2W
	ATM4-5□□	200-230VAC 50/60Hz 3VA
	ATM4-6□□	100-120VAC 50/60Hz 3VA
CONTACT	250VAC 3A, 24VDC 3A RESISTIVE LOAD	

### IEC marking



※IEC marking is on the unit.

### NEMA marking

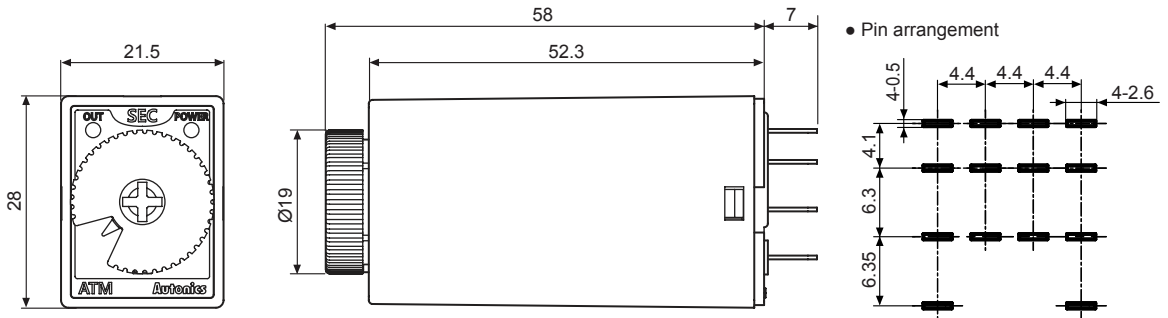


(A)	Photoelectric Sensors
(B)	Fiber Optic Sensors
(C)	Door/Area Sensors
(D)	Proximity Sensors
(E)	Pressure Sensors
(F)	Rotary Encoders
(G)	Connectors/ Connector Cables/ Sensor Distribution Boxes/Sockets
(H)	Temperature Controllers
(I)	SSRs / Power Controllers
(J)	Counters
(K)	Timers
(L)	Panel Meters
(M)	Tacho / Speed / Pulse Meters
(N)	Display Units
(O)	Sensor Controllers
(P)	Switching Mode Power Supplies
(Q)	Stepper Motors & Drivers & Controllers
(R)	Graphic/ Logic Panels
(S)	Field Network Devices
(T)	Software

# ATM Series

## ■ Dimensions

(unit: mm)



※Use My socket which is commercially available.

## ■ Proper Usage

- For DC power supply type, be sure to check the polarity of terminals.
- 24VDC power supply should be insulated and limited voltage/current or Class 2, SELV power supply device.
- Please supply power quickly at once with using switch or relay contact. Otherwise it may cause time error or power reset failure.
- When supplying the power to the timer, connection shown in (Figure 1) might cause malfunction due to leakage current through R and C. Please connect R and C as shown in (Figure 2) to prevent malfunction.
- Do not use this unit at below places.
  - Place where temperature or humidity is out of the rated specifications.
  - Place where there is condensation by temperature changes.
  - Place where there is flammable gas or corrosive gas.
  - Place where there is dust, oil or severe vibration or impact.
  - Place where strong alkalis or acids is used.

