

Orbiter

WIRELESS PENDANT MICROPHONE

Pairing Instructions

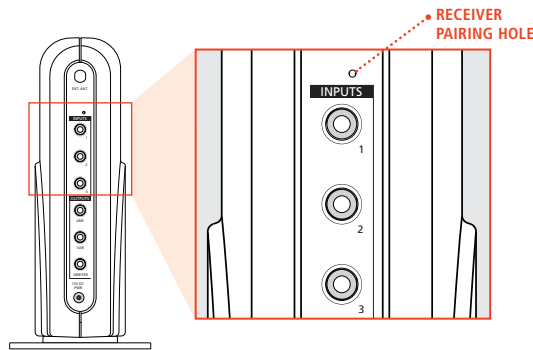
Orbiter Pairing Instructions

- 1) Make sure the Orbiter pendant transmitter has been properly charged and is **NOT** connected to the charger.
- 2) Both the transmitter and receiver must be **ON** in order to pair.
Note: We recommend that the receiver is not plugged into the speaker while pairing.

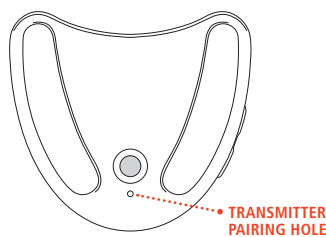
- 3) Straighten the end of a medium paper clip.



- 4) Insert the end of the paper clip approximately 1/16" (1.5 mm) into the pairing hole on the receiver. Use a light press when inserting the paper clip not to damage the hardware. The receiver amber light will begin to flash indicating that it's in pairing mode.



- 5) Insert the end of the paper clip approximately 1/2" (1.3 cm) into the pairing hole on the transmitter. Use a light press when inserting the paper clip not to damage the hardware. Successful pairing will result in a solid amber light on the front side of the receiver.



- 6) Receiver pairing mode lasts only a short time. If unsuccessful, repeat steps 4 and 5.



Touchboards

205 Westwood Ave, Long Branch, NJ 07740
Phone: 866-94 BOARDS (26273) / (732)-222-1511
Fax: (732)-222-7088 | E-mail: sales@touchboards.com