

---

HIGH DEFINITION  
CLASSROOM SPEAKER  
& MICROPHONE SYSTEMS

**SPRING 2012**  
Education Catalog

---



**Touchboards**

205 Westwood Ave, Long Branch, NJ 07740  
Phone: 866-94 BOARDS (26273) / (732)-222-1511  
Fax: (732)-222-7088 | E-mail: [sales@touchboards.com](mailto:sales@touchboards.com)



**Cetacea Sound**

*Technical Audio for the 21<sup>st</sup> Century Classroom.*

A decorative graphic at the bottom of the page consisting of numerous blue circles of varying sizes, scattered across the white background.

**SPRING 2012**

## CLASSROOM SPEAKER & MICROPHONE SYSTEMS

**Cetacea Sound Corp**

2003 East Center Circle  
Plymouth, Minnesota 55441  
U.S.A.

Tel: (800) 556-1922

Tel: (763) 559-1019

Fax: (763) 559-1585

**[www.cetaceasound.com](http://www.cetaceasound.com)**

**Find a Dealer Online**

[www.cetaceasound.com/find-a-dealer/](http://www.cetaceasound.com/find-a-dealer/)



**Cetacea Sound**

*Technical Audio for the 21<sup>st</sup> Century Classroom*

## Index

**3** ABOUT CETACEA SOUND

**4** WHY HIGH DEFINITION?

**5** ASTRONAUT™  
Classroom Speaker System

**7** ORBITER™  
Wireless Pendant Microphone

**9** ENSÉMBLE™  
Portable Desktop Speaker



## QUICK FACTS

- Leader in Presentation Audio
- Leader in Classroom Audio
- Energy-Efficient Design
- Multiple Acoustic Patents
- Founded in 1996

## ENERGY CERTIFICATIONS

- ENERGY STAR®



- California Energy Conservation Circle IV



- Proud to Be Green – Lite Energy™

PROUD TO BE  
green



*This logo symbolizes  
our commitment to  
the environment.*

## About Cetacea Sound

**Cetacea Sound**, pronounced "SIT-TAY-SHA", is an audio design and engineering firm that develops speaker and microphone solution for the education, training, and corporate markets. Since 1996, Cetacea Sound has built a strong acoustic patent portfolio that forms the foundation of its unique designs. The company focuses on the total development and manufacturing of its products in the U.S.A. and has won the respect of industry leaders with the highly touted Astronaut and Ensemble amplified speakers.

Cetacea audio products enhance learning by providing vocal clarity using high definition sound. By incorporating our acoustic patents and design know-how, students enjoy a level of audio sophistication otherwise found only in high-performance home theatre systems. Our mission is simple: to develop innovative audio products that deliver unparalleled results with simple installation solutions at a reasonable, cost-effective price.

### Commitment to the Environment

Every effort has been made to protect the environment during the manufacture and use of Cetacea products. Electronics meet RoHS standards. Power supplies are ENERGY STAR® rated and meet California's very strict Circle IV power consumption and efficiency standards. And, due to our energy-efficient design and unique omni-directional patent, one speaker can produce the same loudness and soundfield coverage as 4 in-ceiling speakers at a fraction of the cost!



## Why High Definition?

**High definition classroom audio** improves upon the most important aspect of classroom learning: communication. With HD classroom audio, students and teachers benefit from perfect speech reproduction which enhances intelligibility for students. High definition reduces the mental effort required to understand spoken words.

It is not enough to just amplify sound in the classroom; the sound must also be of high definition in order to preserve key speech characteristics like high-frequency sibilance and nuance. It is a fact that students learn from what they understand, not from what they hear. That is why Cetacea dedicates its know-how, patented technologies, and engineering expertise to develop sophisticated and affordable classroom audio products.

**Spring 2012** brings an all-new lineup of high definition audio products for the classroom, including the newly redesigned Astronaut speaker series with Centr  Fusion™ technology, a new acoustic patent that improves voice clarity. In addition, the all-new Orbiter™ wireless pendant microphone is the first of its kind to transmit the teacher's voice in high definition sound. This is the same technology used to stream uncompressed audio at CD quality (5 Mbps). This technological achievement brings an all-new, unmatched level of audio clarity to the classroom, improving further on Cetacea's goal of superior learning and performance at a price schools can afford.



### NEW COMPLETE CLASSROOM SOUNDFIELD SYSTEM



**Astronaut™**  
Classroom Speaker System

**Orbiter™**  
Pendant Microphone

# Astronaut

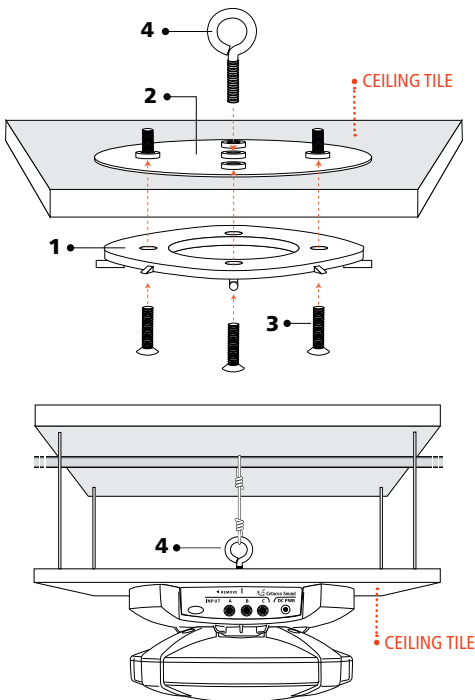
## CLASSROOM SPEAKER SYSTEM



The **Astronaut** speaker system, distinguished by its elegant, circular design, is built from the ground up for classroom and projector sound enhancement. Mounted to the ceiling, its patented omni-directional acoustics ensure an even soundfield throughout the room. Combined with the most simple installation system on the market, the Astronaut promises cost-effectiveness and superior performance.

### SIMPLE AND SECURE INSTALLATION

Astronaut series speakers come standard with a ceiling mount kit for simple installation to ceiling tiles or hard-surfaced ceilings. Eye bolt security prevents unwanted removal of the Astronaut from below the ceiling.



- 1 Mounting Bracket
- 2 Ceiling Plate
- 3 Ceiling Bracket Bolts (4)
- 4 Eye Bolt

### Features

- Omni-directional acoustics improve classroom sound quality
- *NEW* CentrÉ Fusion™ technology improves vocal clarity
- 3-channel mixer supports projector, microphone, DVD, iPod®, computer, or whiteboard
- Simple below the ceiling installation with included bracket
- ENERGY STAR® power and internationally certified
- 40W (CL) and 60W (XL) powered models available



**CL**  
40 Watts

The choice for standard-sized classrooms and basic voice and multimedia instruction.



**XL**  
60 Watts

Powerful, full-range audio for multimedia depth. The XL is for larger classrooms, cafeteriums, and computer labs.



## Centré Fusion™ Technology

Often referred to as the “Holy Grail” of audio, authentic voice reproduction comes at a very high price in audio design. The Centré Fusion technique, partially visible by its acoustic fins, allows us to design audiophile-quality speakers of any size, shape, and power range. Now included in the newly redesigned Astronaut CL and XL speaker systems, Centré Fusion brings an all-new level of speech intelligibility to the classroom.

## Power Supply Options

The Astronaut comes with a power supply of your choice: wall mount, desktop, or long run power supply. Depending on your installation needs or preference, these options will cover all installations. For additional cabling options, like plenum-rated cabling, contact your dealer or Cetacea by phone or email.

## System Specifications

### Signal Connections

3 input jacks, 3.5 mm, mono-stereo with auto detection and mix-down

### Amplifier

CL 60 watts TSP  
XL 60 watts TSP

### Power Supply/ Requirements

ENERGY STAR® Rated  
Voltage input:  
110-240V AC, 50/60 Hz  
Voltage output:  
15V DC, 1.0A min.

### Acoustics

- Patented omni-directional horn with acoustic coupling
- Custom Neodymium Audiophile® transducer
- Tuned cabinet
- Tuned port

### Frequency Response

70-15 kHz @ -3 dB

### Loudness

CL 87 dB | XL 94 dB

### Port Tuning

90 Hz

### Dimensions

Diameter:  
CL 7.2" | XL 8.0"  
Height: 3.5"

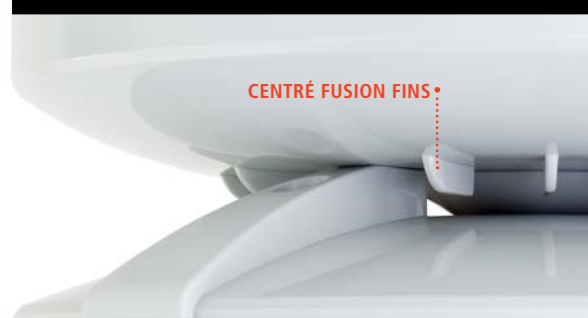
### Weight

CL 17.5 ounces (.5 kg)  
XL 1 lb. 10 ounces (.7 kg)

### System Includes

Astronaut CL/XL Speaker  
Ceiling Mount Kit  
ENERGY STAR® Power Supply

## CENTRE FUSION TECHNOLOGY



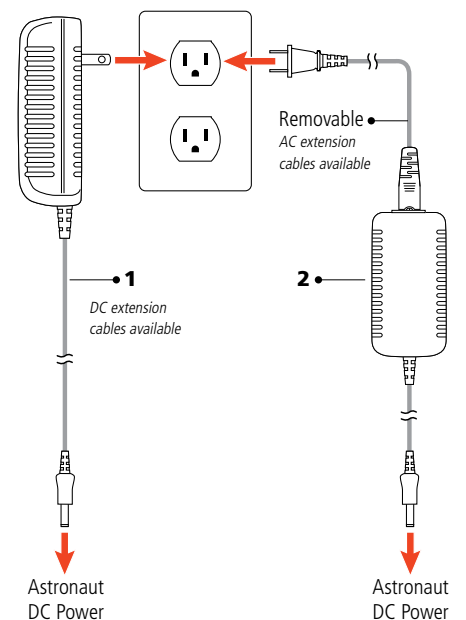
## OPTIONS

### 1) Wall Mount Power Supply

Choose this power supply when the AC outlet is near the mounting location. Typically, the power source is shared with and located near a projector.

### 2) Desktop Power Supply

Choose this power supply when the AC outlet location requires power extension cables or international plugs.



# Orbiter

## WIRELESS PENDANT MICROPHONE

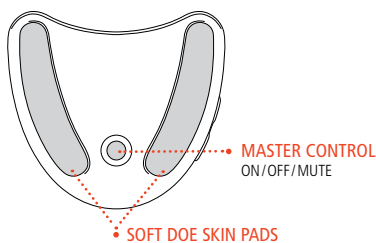


The **Orbiter** is a wireless pendant microphone designed for teacher comfort and all-day use. It features HD audio, comfortable ergonomics, and simple operation. The Orbiter is based on powerful 2.4-GHz RF electronics and is the world's first high-definition microphone for K-12 and higher education. It delivers stunning, uncompressed CD-quality audio. The Orbiter achieves the speech intelligibility required for enhanced student comprehension and word recognition. With its lightweight design and simple, 2-button control, teachers can simply focus on what they do best—teaching.

### INTUITIVE 2-BUTTON CONTROL

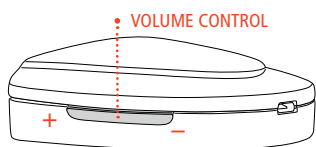
#### Master Control (ON/OFF/MUTE)

Simply press with your thumb to cycle between ON and MUTE. Hold and press to turn OFF.



#### Volume Control

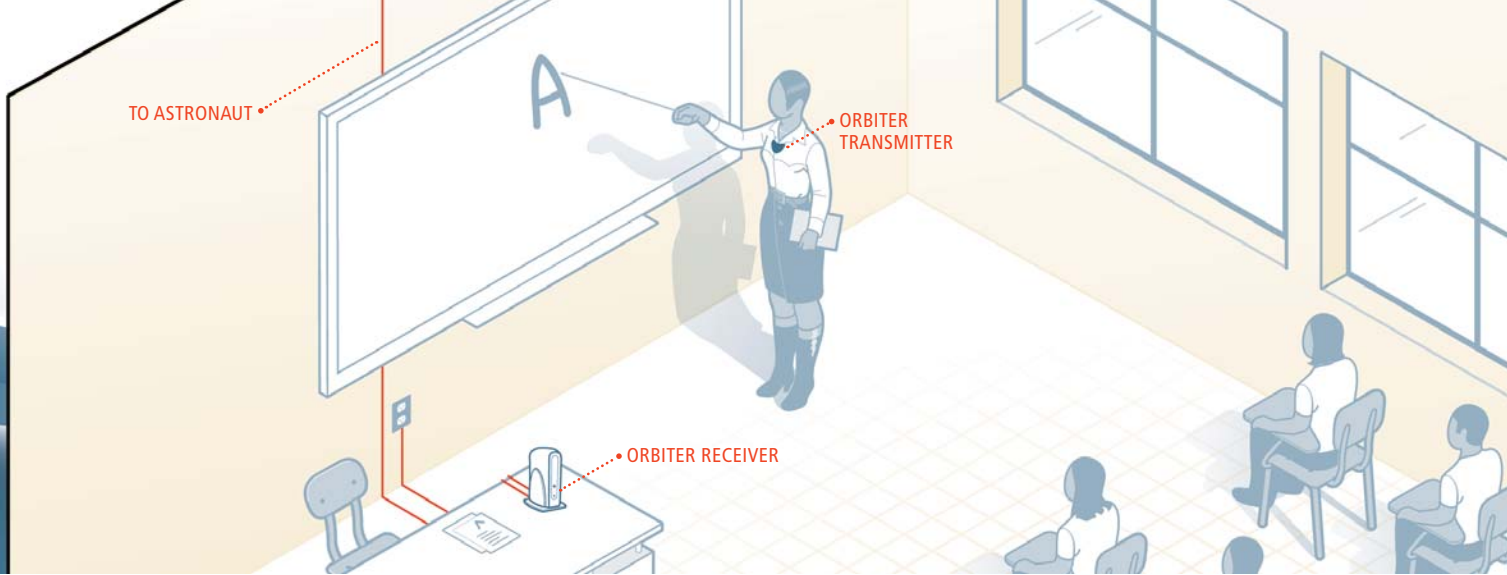
This rocker-style button controls the volume level when pressed. The volume stays at its last setting even after power off and unmute activities.



### Features

- HD audio streaming for clear speech, enhanced word recognition, and improved learning
- State-of-the-art, 2.4 GHz RF with built-in coexistence and security features; no room-to-room carry-over
- Hands-free teaching with no line-of-site connection issues
- Lifetime rechargeable battery with long talk time (10 hours) and quick charge capability
- Lightweight and ergonomic design for all-day wearing comfort and operational simplicity
- Quick, low-cost installation
- Portable and easy to set up
- Low feedback characteristics





### Advanced 2.4-Ghz RF Technology

Powered by state-of-the-art, internationally certified 2.4-Ghz RF with HD audio streaming technology, the Orbiter delivers stunningly clear and crisp speech. Point-to-point pairing prevents interference between rooms and proprietary technology provides high coexistence and security.

### The Complete Classroom Soundfield System

The Astronaut speaker system and Orbiter wireless pendant microphone are an ideal solution for complete, classroom-wide speech reinforcement. Tuned and balanced for the classroom environment, the Astronaut and Orbiter achieve high definition speech clarity for improved intelligibility and enhanced learning. Simple to install, easy to operate, and cost-effective, the Astronaut and Orbiter system is unmatched in price-performance.

**2.4GHz**  
STATE • OF • THE • ART

#### NEW COMPLETE CLASSROOM SOUNDFIELD SYSTEM



**Astronaut™**  
Classroom Speaker System

**Orbiter™**  
Pendant Microphone

### System Specifications

#### ORBITER TRANSMITTER

##### RF

- State-of-the-art 2.4-Ghz digital RF
- Proprietary coexistence technology

##### Audio

- HD uncompressed audio streaming
- Buffering and retransmission features
- 5 Mbps over-the-air data rate

##### Battery

Lifetime Li-Ion rechargeable

##### Controls

Side: Volume (+/-)  
Back: Master (On/Off/Mute)

##### Dimensions

2.75" x 3.0" x 1.25"

##### Weight

2.5 ounces (70 g)

#### ORBITER RECEIVER

##### Inputs

- 3-Auxiliary Inputs for CD/DVD, TV, Computer, Projector and iPod®
- 3.5mm, mono-stereo

##### Outputs

- 1-Line Output
- 1-Orbiter Output
- 3.5mm, mono-stereo

##### System Includes

- Orbiter Transmitter
- Transmitter Charger
- Desktop Receiver
- ENERGY STAR® Power Supply
- Lanyard Kit
- 3.5mm Stereo Cable, 50' (optional)

iPod® is a registered trademark of Apple Inc.

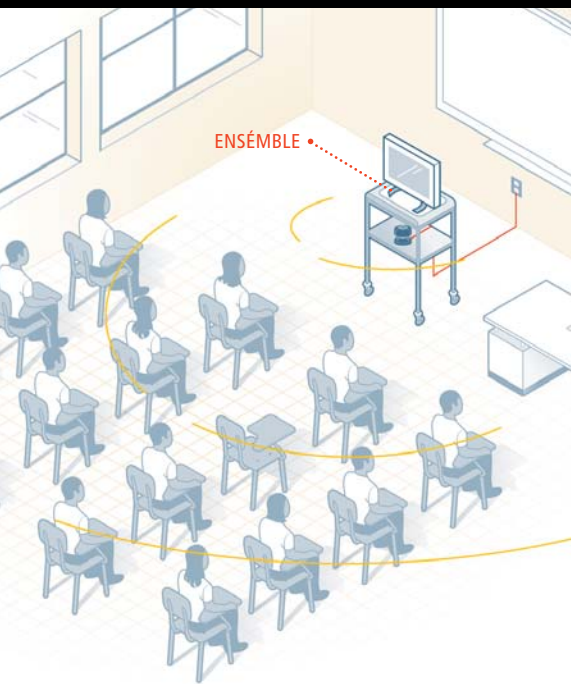
# Ensemble

## PORTABLE DESKTOP SPEAKER



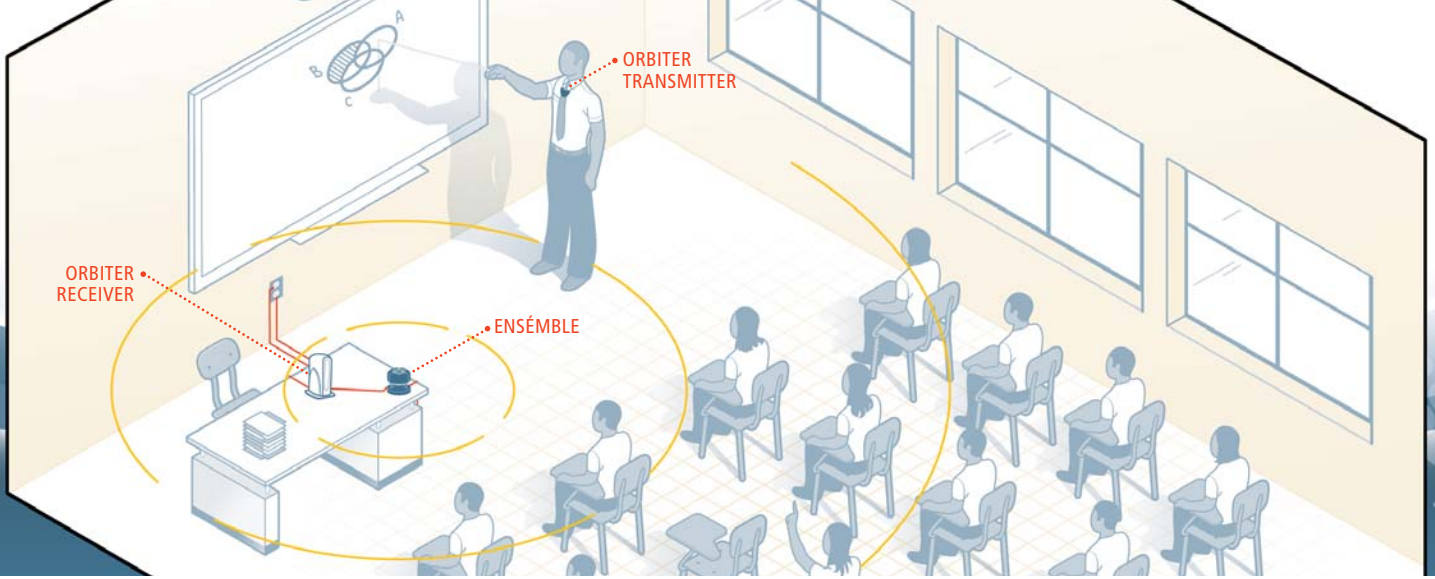
The **Ensemble** portable speaker system is for teachers, trainers, and professional presenters who value a lightweight audio solution for on-the-go teaching. Its unique, patented design delivers clear, even sound to everyone regardless of seating arrangement. Weighing less than 1 pound, the Ensemble speaker travels conveniently and is loud enough for presentations to 90 people.

### ENSEMBLE FOR A/V CART SOUND ENHANCEMENT



### Features

- Proven audio technology delivers superior voice clarity and word recognition to everyone in the room—no more straining to understand speech
- Omni-directional acoustics improve soundfields for group listening applications
- Improves intelligibility even if some of the audience members have their backs to the teacher or vice versa
- Use up to 3 separate stereo or mono line inputs for simultaneous speech and audio applications
- 40 watts of power for presentations up to 90 people
- Includes a carrying case for traveling convenience



### Omni-Directional Acoustics

*The Foundation of Cetacea Speaker Designs*

Cetacea is the only audio company to offer a true, omni-directional speaker for group listening applications. This patented technology delivers an even distribution of 360° sound, ensuring all listeners hear the same audio no matter which side of the speaker they are sitting on. With omni-directional acoustics, Cetacea speakers communicate more effectively to audiences and allow for a larger soundfield sweet spot than multimedia or in-ceiling systems. This results in better understanding of speech because it eliminates reverberation and reflections.

### Ensemble™ & Orbiter™ Bundle

The Ensemble is the favored audio system of mobile professionals and educators because of its lightweight design and excellent speech clarity. Combined with a world-class wireless microphone system like the all-new Orbiter high-definition pendant microphone, mobile presentations never sounded better or were easier and quicker to set up and use.

### System Specifications

#### Signal Connections

3 input jacks, 3.5 mm, mono-stereo with auto detection and mix-down

#### Amplifier

40 Watts p-p @ 10% THD  
32 Watts p-p @ 1% THD

#### Power Supply/Requirements

Voltage input: 110-240V AC, 50/60 Hz  
Voltage output: 12V DC, 25 watt min.

#### Acoustics

- Patented omni-directional horn with acoustic coupling
- One 2" custom full range, 2 ohm
- One 2.5" passive radiator

#### Frequency Response

100 Hz – 18 kHz @ -10 dB  
150 Hz – 17 kHz @ -3 dB

#### Dimensions

Diameter: 4.1" Height: 3.9"

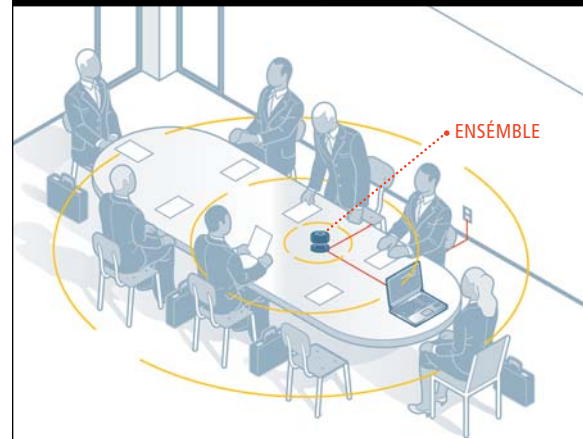
#### Weight

Speaker: 14 ounces  
Speaker w/case: 1.25 lb.

#### System Includes

- Ensemble speaker
- Power supply
- Carrying case
- Cables: In-line volume control, RCA stereo cable, 3' m-m stereo cable

### CONFERENCE ROOM SETUP



### NEW ENSÉMBLE & ORBITER BUNDLE



iPod® is a registered trademark of Apple Inc.



## Cetacea Sound

*Technical Audio for the 21<sup>st</sup> Century Classroom*

[www.cetaceasound.com](http://www.cetaceasound.com)

### HEADQUARTERS

Cetacea Sound Corp  
2003 East Center Circle  
Plymouth, Minnesota 55441  
U.S.A.

Tel: (800) 556-1922  
Tel: (763) 559-1019  
Fax: (763) 559-1585


### FIND A DEALER ONLINE

[www.cetaceasound.com/find-a-dealer/](http://www.cetaceasound.com/find-a-dealer/)

# Touchboards

**205 Westwood Ave, Long Branch, NJ 07740**  
**Phone: 866-94 BOARDS (26273) / (732)-222-1511**  
**Fax: (732)-222-7088 | E-mail: [sales@touchboards.com](mailto:sales@touchboards.com)**

© 2013 Cetacea Sound Corp. All rights reserved.  
Astronaut™, Ensemble™, and Orbiter™ are trademarks of Cetacea Sound Corp.

All audio products are proudly made in the U.S.A.  (7/13) 201112-003



PROUD TO BE  
**green**

