

Astronaut CL

CLASSROOM & PROJECTOR AUDIO

Fact Sheet

Total Classroom Sound Enhancement

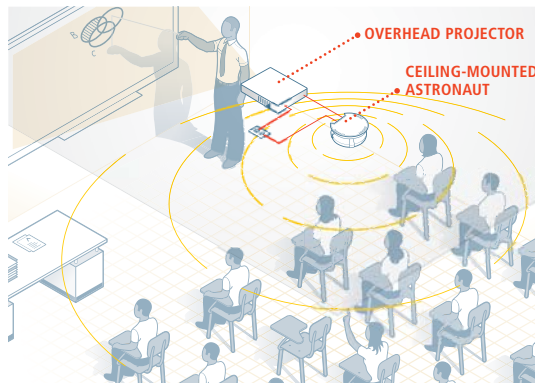
The CL is an elegantly designed, single-speaker solution for complete classroom-wide sound enhancement. From voice instruction to multimedia presentations, the CL's patented Astronaut technology ensures correct and intelligible audio which leads to improved student comprehension and learning. Combined with the most innovative and simple installation system on the market, the CL promises cost-effectiveness and superior performance.

Product Features

- Proven Astronaut electronics provide up to 1,500 sq. ft. of soundfield coverage
- Omni-directional acoustics improve soundfields for group listening applications
- **NEW** Centr  Fusion technology improves vocal clarity
- Pre-equalized for superior speech intelligibility
- 3-channel mixer supports projector, microphone, DVD, iPod®, computer, or whiteboard
- 40 watts of classroom-wide sound enhancement
- Simple below the ceiling installation with bracket
- ENERGY STAR® power and internationally certified

Simple and Secure Installation

The included bracket allows quick and easy mounting to the ceiling. The Astronaut can be mounted almost anywhere on the ceiling but for the best result, mount it close to the audience.



System Includes

- Astronaut CL Speaker
- Ceiling Mount Kit
- ENERGY STAR® Power Supply

Astronaut series products are covered by multiple patents that are registered or under license to Cetacea Sound Corp.

iPod® is a registered trademark of Apple Inc.

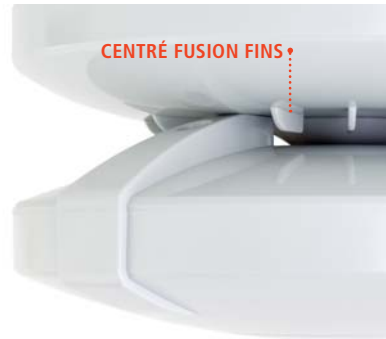


Improved Student Learning

Astronaut technology sets the standard for speech intelligibility and word recognition in the classroom. Our patented audio designs have improved training and presentations for 15 years.

Centré Fusion Technology

Often referred to as the “Holy Grail” of audio, authentic voice reproduction comes at a very high price in audio design. The Centré Fusion technique, partially visible by its acoustic fins, allows us to design audiophile-quality speakers of any size, shape, and power range. Now included in the newly redesigned Astronaut CL and XL speaker systems, Centré Fusion brings an all-new level of speech intelligibility to your audience.



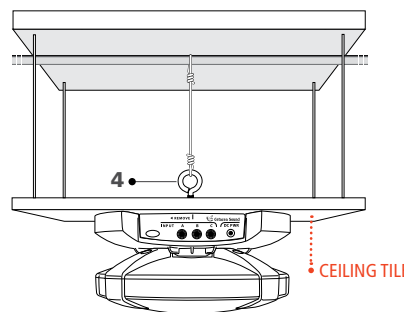
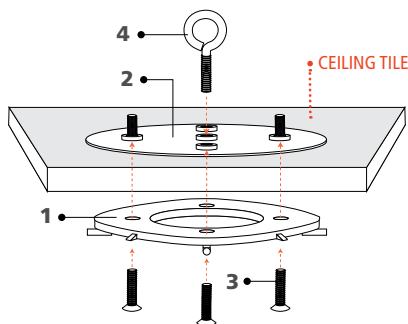
Ordering Information

Choose from 3 Astronaut CL packages for standard and short throw projector installations. Additionally, we offer an extensive assortment of plenum rated and optional length power cords for custom installations. Contact us by phone or email for more details.

PART LIST	STANDARD INSTALLATIONS		SHORT THROW PROJECTORS
Astronaut CL Speaker	✓	✓	✓
Ceiling Mount Kit	✓	✓	✓
Wall Mount Power Supply	✓		✓
Desktop Power Supply		✓	
DC Extension Cord (30 ft)			✓
SKU #	ASTRO-CLW001	ASTRO-CLD001	ASTRO-CLR001

Ceiling Mount Kit with Security Bracket

Astronaut series speakers come standard with a ceiling mount kit for simple installation to ceiling tiles or hard-surfaced ceilings. Eye bolt security prevents unwanted removal of the Astronaut from below the ceiling.



- | | |
|--------------------|-----------------------------|
| 1 Mounting Bracket | 3 Ceiling Bracket Bolts (4) |
| 2 Ceiling Plate | 4 Eye Bolt |

System Specifications

Electrical

Signal Connections

3 input jacks, 3.5 mm, mono-stereo with auto detection and mix-down

Input Impedance

62k ohms

Amplifier Power/Requirements

40W TSP

15 VDC / 15W

Power Supply

Part # FW-PSE1515W (Wall Mount) or FW-PSE1515D (Desktop)

Switch mode, low noise, high efficiency wall or desktop style

Voltage input: 100-240 V, 50/60 Hz

Voltage output: 15 VDC

- 85% efficient
- Fuse and over-temp protection (80 degrees centigrade)
- Regulation +/- 5%
- Ripple and noise less than 1%
- Overload and over-voltage protection
- Short circuit protection with auto-recovery
- CEC Level IV compliant
- < 0.25W stand-by power consumption
- Approvals: UL, cUL, TUV, PSE, CSA, CCC, BEAB

Acoustics

- Omnidirectional horn with ceiling acoustic coupling (patented)
- Magnetically shielded custom Audiophile® transducer (patented)
- Custom tuned cabinet (patent applied for)
- Custom tuned port

Performance

Frequency Response

70-15 kHz @ -3 dB

Signal to Noise Ratio

>90 dB

Loudness

87 dB

Port Tuning

90 Hz

Mechanical

System Dimensions

Diameter – 7.2"

Height – 3.5"

System Weight

17.5 ounces (.5 kg)

Power Supply Dimensions

Wall Mount and Desktop – 4.33" x 2.07" x 1.44"

Power Supply Weight

Wall Mount and Desktop – 8 ounces

AC cord (if needed) – 8 ounces

Power Cord

- Standard CEC certified wall mount power supply – 6' reach with tuning fork barrel connector
- Optional CEC certified desktop style power supply – AC power cord and attached output cord with tuning fork barrel connector AC input style plug IEC-320, C-8

Compliance

UL, cUL, CE, ENERGY-STAR®, CEC IV

Warranty

Full two years on all components