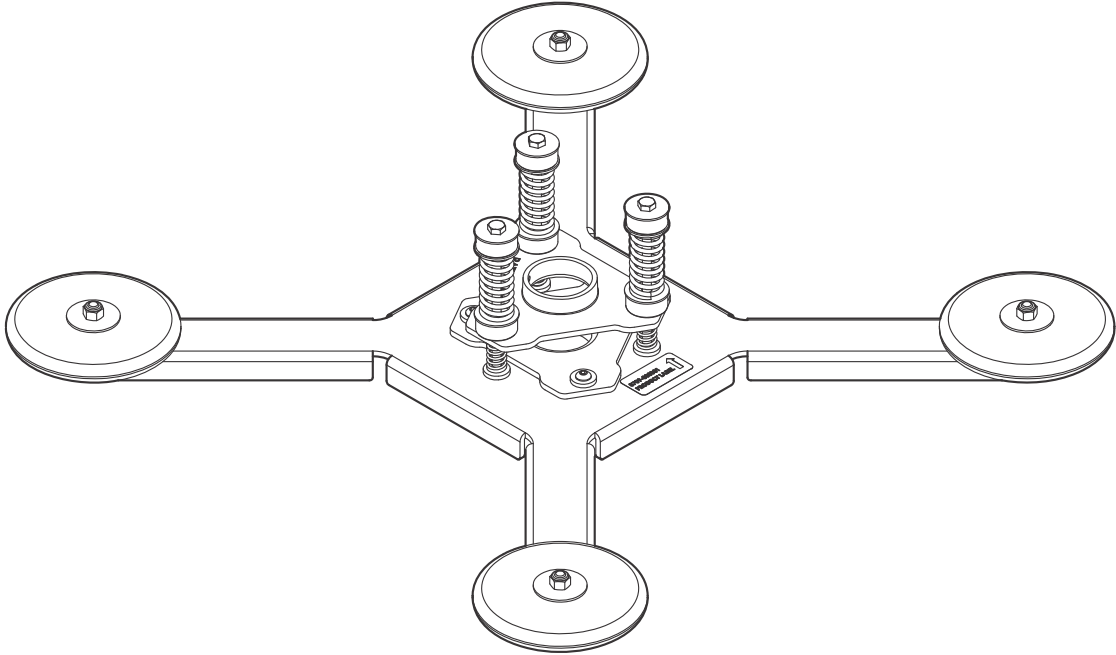

INSTALLATION INSTRUCTIONS



XL Vibration Dampener Accessory

DISCLAIMER

Milestone AV Technologies and its affiliated corporations and subsidiaries (collectively "Milestone"), intend to make this manual accurate and complete. However, Milestone makes no claim that the information contained herein covers all details, conditions or variations, nor does it provide for every possible contingency in connection with the installation or use of this product. The information contained in this document is subject to change without notice or obligation of any kind. Milestone makes no representation of warranty, expressed or implied, regarding the information contained herein. Milestone assumes no responsibility for accuracy, completeness or sufficiency of the information contained in this document.

Chief® is a registered trademark of Milestone AV Technologies. All rights reserved.

DEFINITIONS

MOUNTING SYSTEM: A MOUNTING SYSTEM is the primary Chief product to which an accessory and/or component is attached.

ACCESSORY: AN ACCESSORY is the secondary Chief product which is attached to a primary Chief product, and may have a component attached or setting on it.

COMPONENT: A COMPONENT is an audiovisual item designed to be attached or resting on an accessory or mounting system such as a video camera, CPU, screen, display, projector, etc.



WARNING: A WARNING alerts you to the possibility of serious injury or death if you do not follow the instructions.



CAUTION: A CAUTION alerts you to the possibility of damage or destruction of equipment if you do not follow the corresponding instructions.



IMPORTANT SAFETY INSTRUCTIONS



WARNING: Failure to read, thoroughly understand, and follow all instructions can result in serious personal injury, damage to equipment, or voiding of factory warranty! It is the installer's responsibility to make sure all accessories are properly assembled and installed using the instructions provided.



WARNING: Failure to provide adequate structural strength for this accessory can result in serious personal injury or damage to equipment! It is the installer's responsibility to make sure the structure to which this accessory is attached can support five times the combined weight of all equipment. Reinforce the structure as required before installing the accessory.



WARNING: Exceeding the weight capacity can result in serious personal injury or damage to equipment! It is the installer's responsibility to make sure that all components located between the CMA-348 up to (and including) the projector system weighs between 35 - 100 lbs (15.9 - 45.4 kg).



WARNING: Use this accessory only for its intended use as described in these instructions. Do not use attachments not recommended by the manufacturer.



WARNING: Never operate this accessory if it is damaged. Return the accessory to a service center for examination and repair.



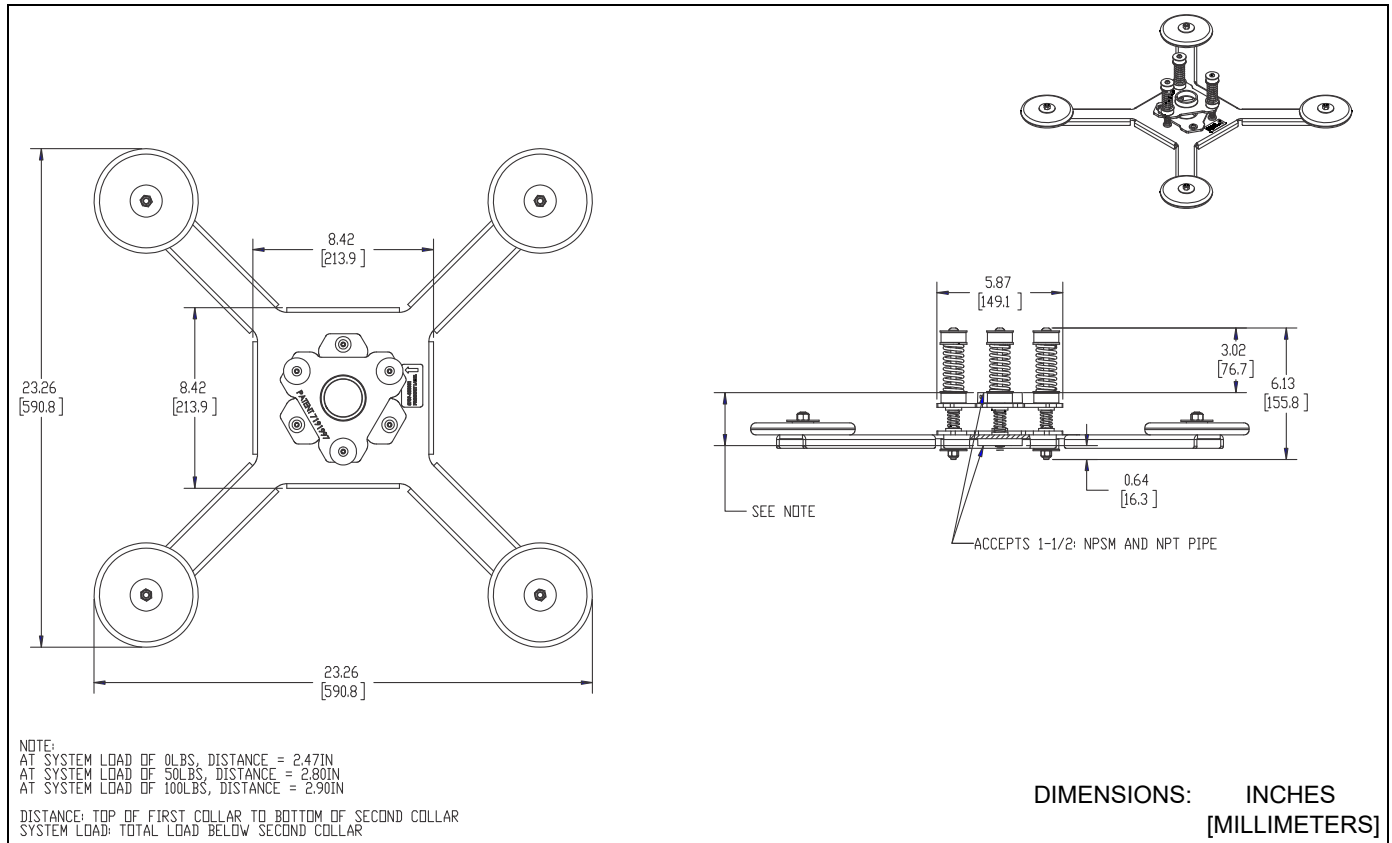
WARNING: Do not use this accessory outdoors.

IMPORTANT ! : The CMA348 accessory is designed to be mounted to a 1-1/2" NPT or NPSM threaded extension column (not included).

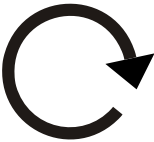

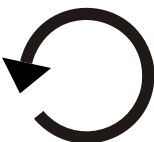



NOTE: The CMA348 will fit within a 2' x 2' ceiling tile.

--SAVE THESE INSTRUCTIONS--

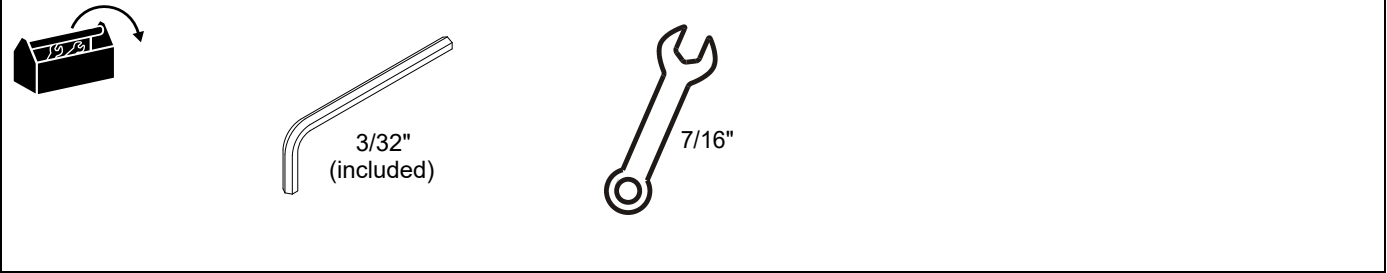
DIMENSIONS



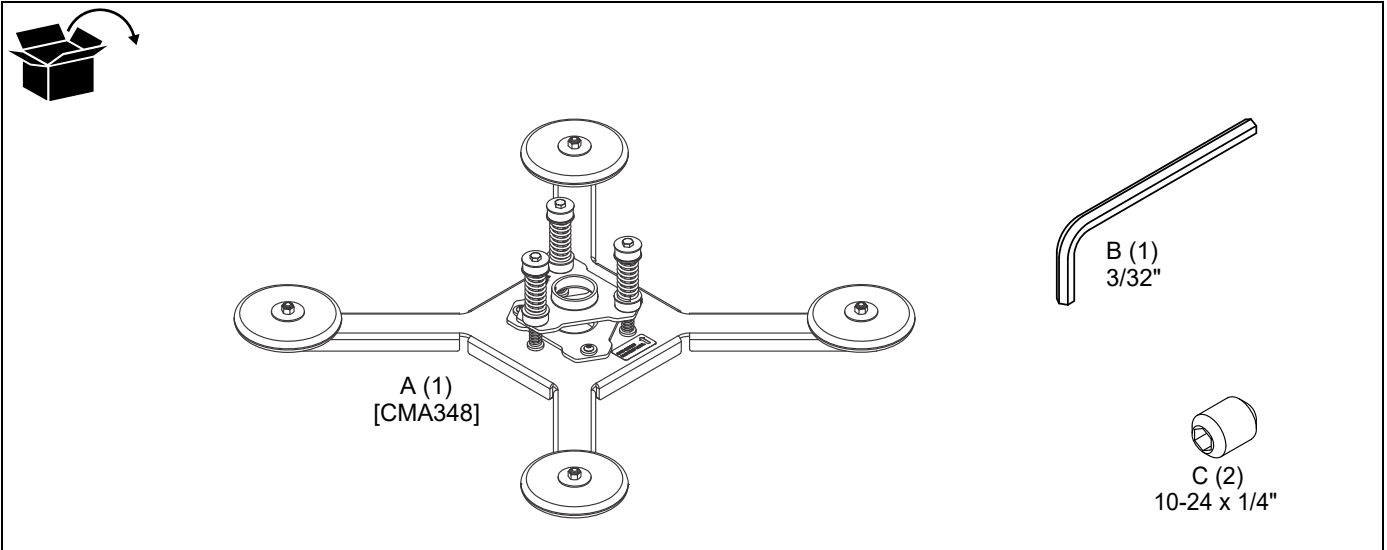
LEGEND

	<p>Tighten Fastener</p> <p>Apretar elemento de fijación</p> <p>Befestigungsteil festziehen</p> <p>Apertar fixador</p> <p>Serrare il fissaggio</p> <p>Bevestiging vastdraaien</p> <p>Serrez les fixations</p>		<p>Open-Ended Wrench</p> <p>Llave de boca</p> <p>Gabelschlüssel</p> <p>Chave de bocas</p> <p>Chiave a punta aperte</p> <p>Steeksleutel</p> <p>Clé à fourche</p>
	<p>Loosen Fastener</p> <p>Aflojar elemento de fijación</p> <p>Befestigungsteil lösen</p> <p>Desapertar fixador</p> <p>Allentare il fissaggio</p> <p>Bevestiging losdraaien</p> <p>Desserrez les fixations</p>		<p>By Hand</p> <p>A mano</p> <p>Von Hand</p> <p>Com a mão</p> <p>A mano</p> <p>Met de hand</p> <p>À la main</p>
	<p>Phillips Screwdriver</p> <p>Destornillador Phillips</p> <p>Kreuzschlitzschraubendreher</p> <p>Chave de fendas Phillips</p> <p>Cacciavite a stella</p> <p>Kruiskopschroevendraaier</p> <p>Tournevis à pointe cruciforme</p>		<p>Hex-Head Wrench</p> <p>Llave de cabeza hexagonal</p> <p>Sechskantschlüssel</p> <p>Chave de cabeça sextavada</p> <p>Chiave esagonale</p> <p>Zeskantsleutel</p> <p>Clé à tête hexagonale</p>

TOOLS REQUIRED FOR INSTALLATION



PARTS



PREPARING FOR INSTALLATION

NOTE: The following instructions assume that a suitable ceiling plate (not included) has been properly installed following instructions included with the ceiling plate.

It is also assumed that a 1-1/2" NPT or NPSM threaded extension column (not included) is properly installed in the ceiling plate.



CAUTION: WEIGH ALL PARTS BEFORE BEGINNING INSTALLATION! Determine if the total combined weight of the projector, projector mount, and lower mounting column (projector system) is less than, or more than, 50 lbs (22.7 kg) before proceeding with the installation.

IMPORTANT ! : The CMA348 is shipped ready-to-install for projector systems weighing between 35-50 lbs (22.7 kg). For projector systems weighing 51-100 lbs (22.7 - 45.4 kg), slight adjustments may be needed. (See **Adjustments** section for further information.)

NOTE: In order to optimize the CMA348 vibration dampening, keep the CMA348 as close as possible to the projector by minimizing the length of the lower extension column.

NOTE: For optimal CMA348 performance, the projector system's center of gravity should be centered on the upper mounting column.

INSTALLATION

1. Thread top of CMA348 mount (A) onto NPT 1-1/2" upper mounting column. (See Figure 1)

NOTE: Ensure there is no direct contact between mount and surrounding structure. Any contact could allow vibration transfer to the projector.

2. Secure NPT 1-1/2" upper mounting column to CMA348 mount (A) using one 10-24 x 1/4" set screw (C). Turn set screw (C) until it contacts thread of NPT 1-1/2" upper mounting column. (See Figure 1)
3. Thread NPT 1-1/2" lower mounting column (not included) into bottom of CMA 348 mount (A). (See Figure 1)
4. Secure NPT 1-1/2" lower mounting column to CMA348 mount (A) using one 10-24 x 1/4" set screw (C). Turn set screw (C) until it contacts thread of NPT 1-1/2" lower mounting column. (See Figure 1)
5. Thread projector mount (not included) onto lower NPT 1-1/2" lower mounting column. (See Figure 1)
6. Secure NPT 1-1/2" lower mounting column to projector mount following the installation instructions provided with the projector mount (not included). (See Figure 1)
7. Attach projector to projector mount following the installation instructions provided with the projector mount (not included).

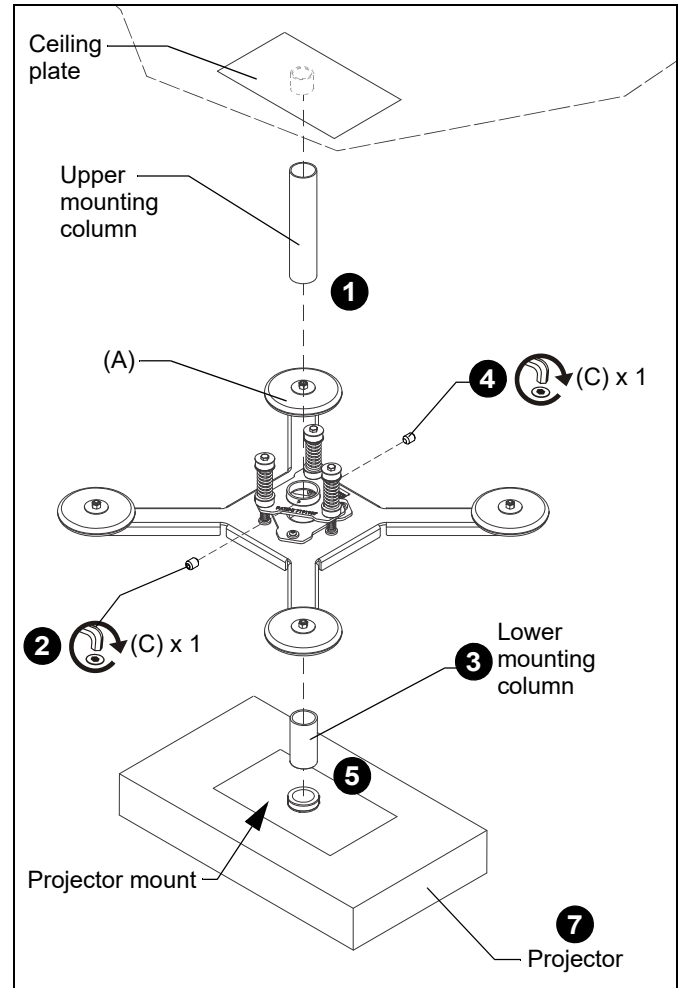


Figure 1

ADJUSTMENTS

NOTE: If the entire projector system weighs between 51 and 100 lbs (22.7 - 45.4 kg) some minor adjustments may be necessary to optimize the vibration dampening quality of the CMA348.

1. Tighten nut at bottom of each of the three springs **two full turns** while holding bolt at top of each spring. Be sure this is done in a uniform manner. (See Figure 2)

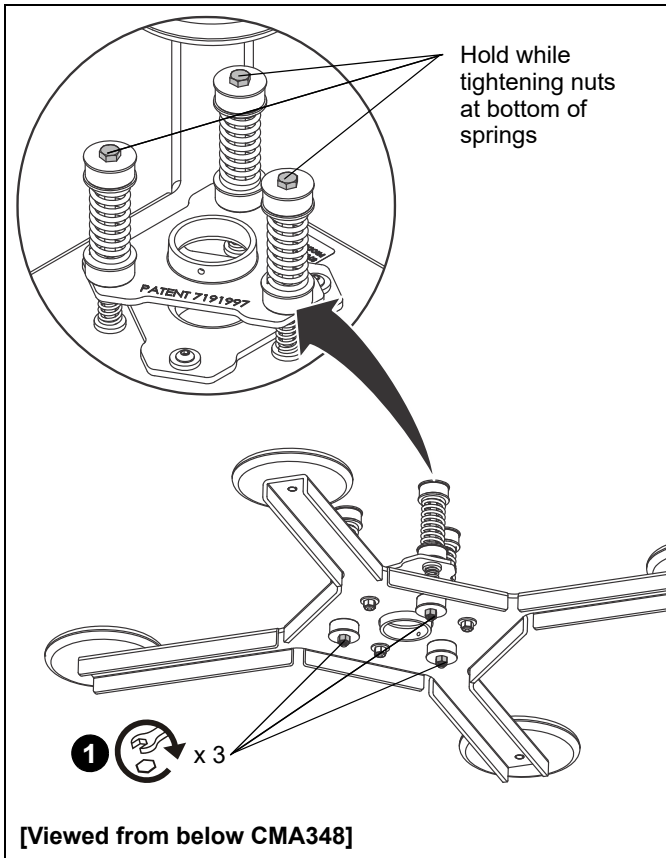


Figure 2



Our Mounts. **Your Vision.**

Chief, a products division of
Milestone AV Technologies

8800-003084 Rev00
©2018 Milestone AV Technologies
www.milestone.com
09/18

USA/International	A 6436 City West Parkway, Eden Prairie, MN 55344 P 800.582.6480 / 952.225.6000 F 877.894.6918 / 952.894.6918
Europe	A Franklinstraat 14, 6003 DK Weert, Netherlands P +31 (0) 495 580 852 F +31 (0) 495 580 845
Asia Pacific	A Office No. 918 on 9/F, Shatin Galleria 18-24 Shan Mei Street Fotan, Shatin, Hong Kong P 852 2145 4099 F 852 2145 4477

