

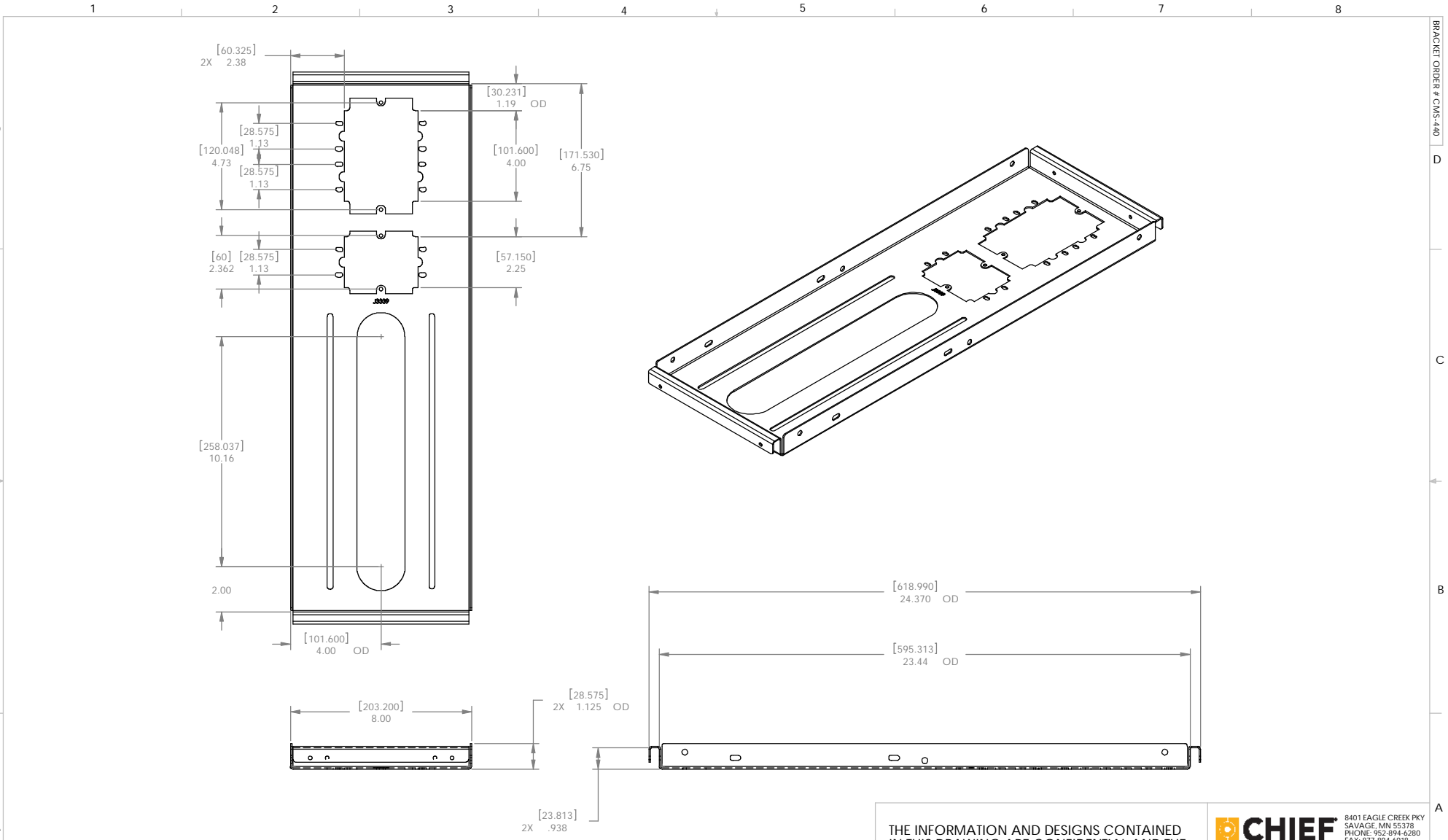
BRACKET ORDER # CMS-440

D

C

B

A



CHIEF MANUFACTURING INC.  
 PRODUCT ORDER NUMBER IS CMS-440  
 PHONE: 1-800-582-6480

THE INFORMATION AND DESIGNS CONTAINED IN THIS DRAWING ARE CONFIDENTIAL AND THE PROPRIETARY PROPERTY OF CHIEF MFG., INC. NEITHER THIS DESIGN NOR ANY INFORMATION CONTAINED IN THIS DRAWING MAY BE REPRODUCED OR DISCLOSED TO OTHERS WITHOUT THE EXPRESS WRITTEN CONSENT OF CHIEF MFG., INC.

**CHIEF** 8401 EAGLE CREEK PKY  
 SAVAGE, MN 55378  
 PHONE: 952-894-6280  
 FAX: 877-894-691B

TITLE  
 CUSTOMER PRINT  
 CMS-440 SPEED CONNECT  
 SUSPENDED CEILING PLATE,

SIZE DWG. NO.  
 B BRACKET ORDER # CMS-440

1 2 3 4 5 6 7 8