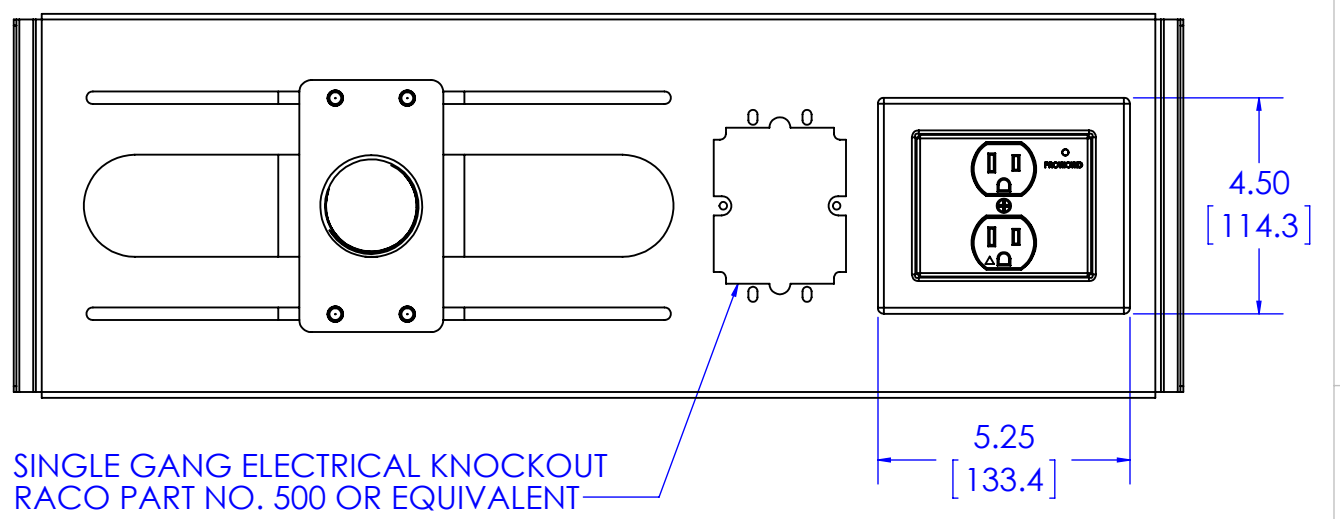
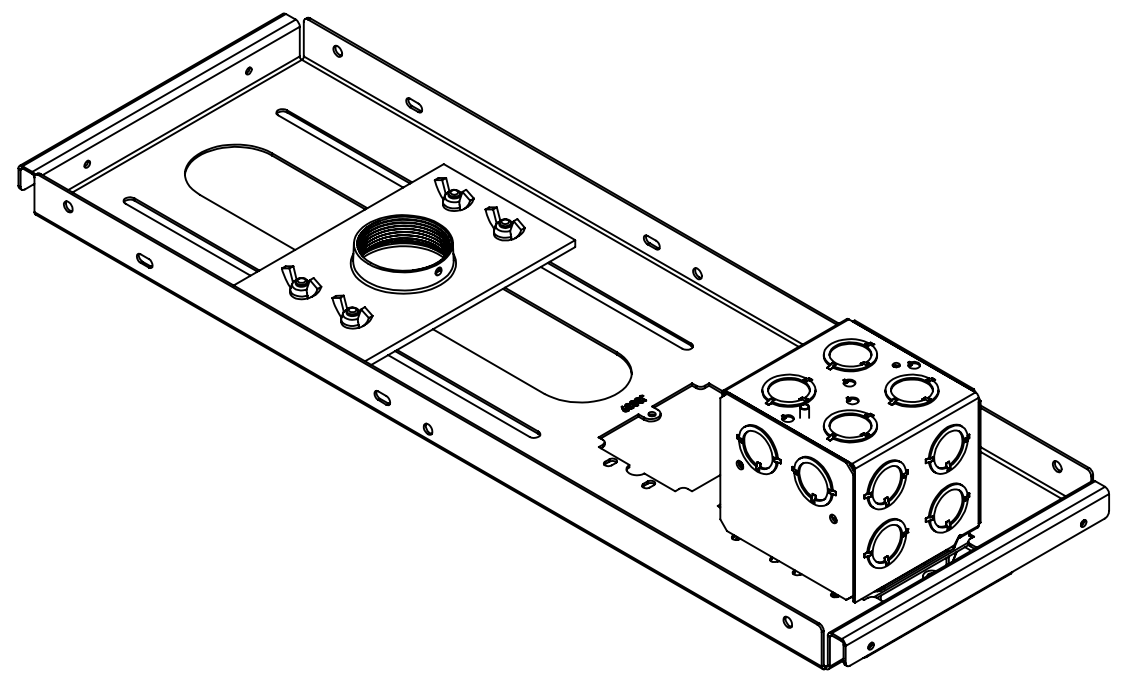
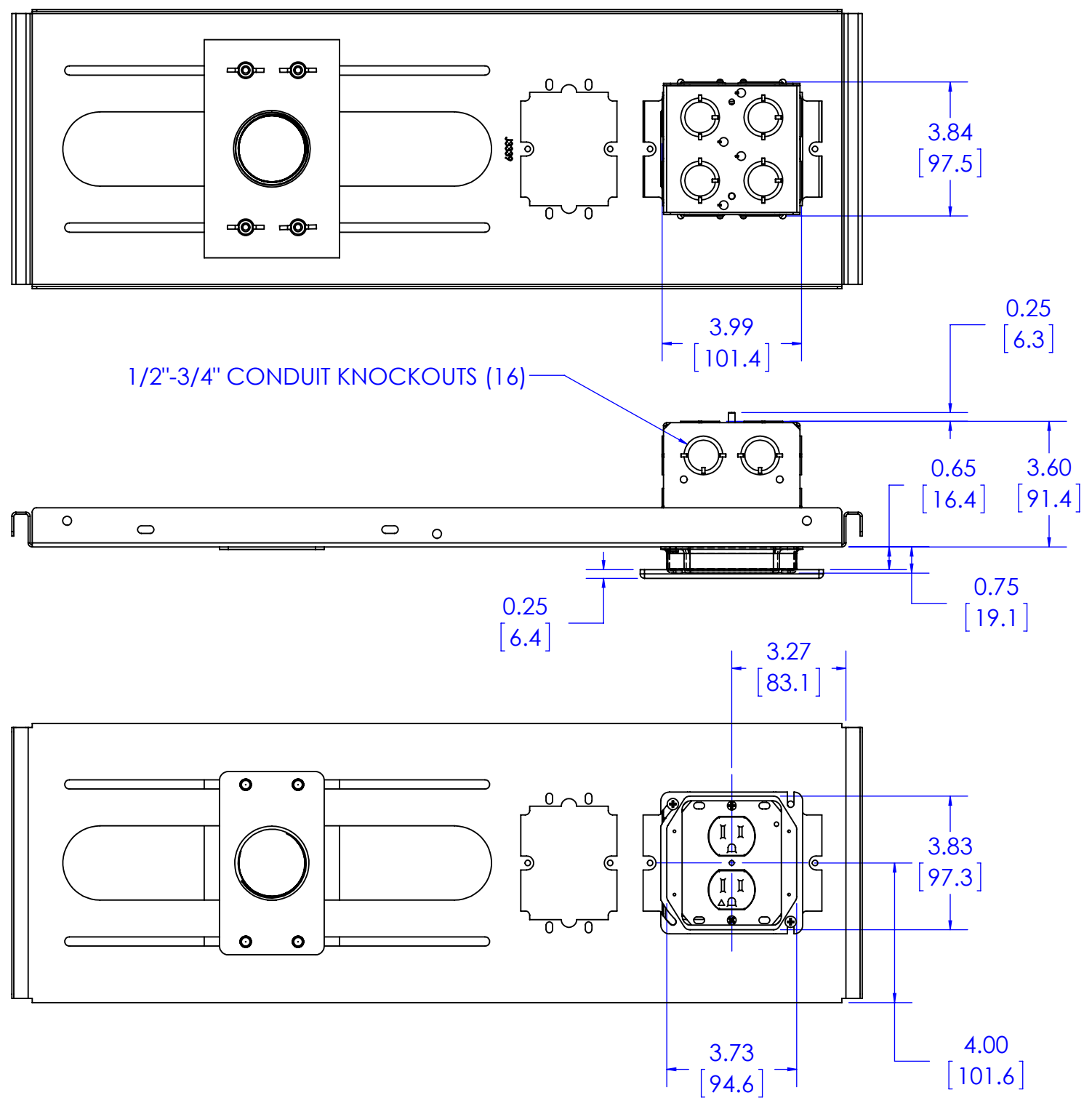


SEE CMS440 FOR CEILING PLATE DIMENSIONS



SINGLE GANG ELECTRICAL KNOCKOUT RACO PART NO. 500 OR EQUIVALENT

AC LINE POWER CONDITIONER 125 V~, 60 Hz, 15 A
4x14 AWG STRANDED WIRE W/ ISOLATED GROUND
SURGE PROTECTION
EMI/RFI FILTERING
POWER CONSUMPTION: <0.5 WATT

THE INFORMATION AND DESIGNS CONTAINED IN THIS DRAWING ARE CONFIDENTIAL AND THE PROPRIETARY PROPERTY OF MILESTONE AV TECHNOLOGIES NEITHER THIS DESIGN NOR ANY INFORMATION CONTAINED IN THIS DRAWING MAY BE REPRODUCED OR DISCLOSED TO OTHERS WITHOUT THE EXPRESS WRITTEN CONSENT OF MILESTONE AV TECHNOLOGIES.

CAD GENERATED DRAWING, DO NOT MANUALLY UPDATE.			CHIEF 6436 CITY WEST PKWY EDEN PRAIRIE MN, 55344 PHONE: 866-977-3901 FAX: 877-894-6918
DRAWN BY	MM	6/26/2015	
ENG APPROVAL			DESCRIPTION POWERED SUSPENDED CEILING BRIDGE
MFG APPROVAL			MODEL NO. CMS440P2
QA APPROVAL			SIZE DWG. NO. B TECH-000720
SHEET 1 OF 1			REV. 02