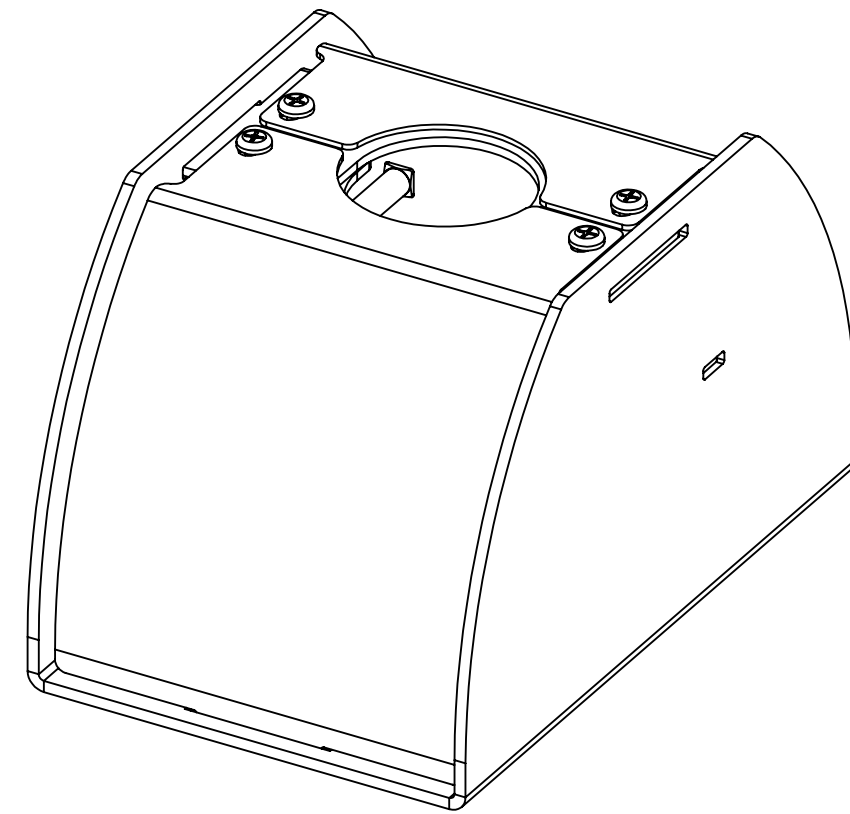
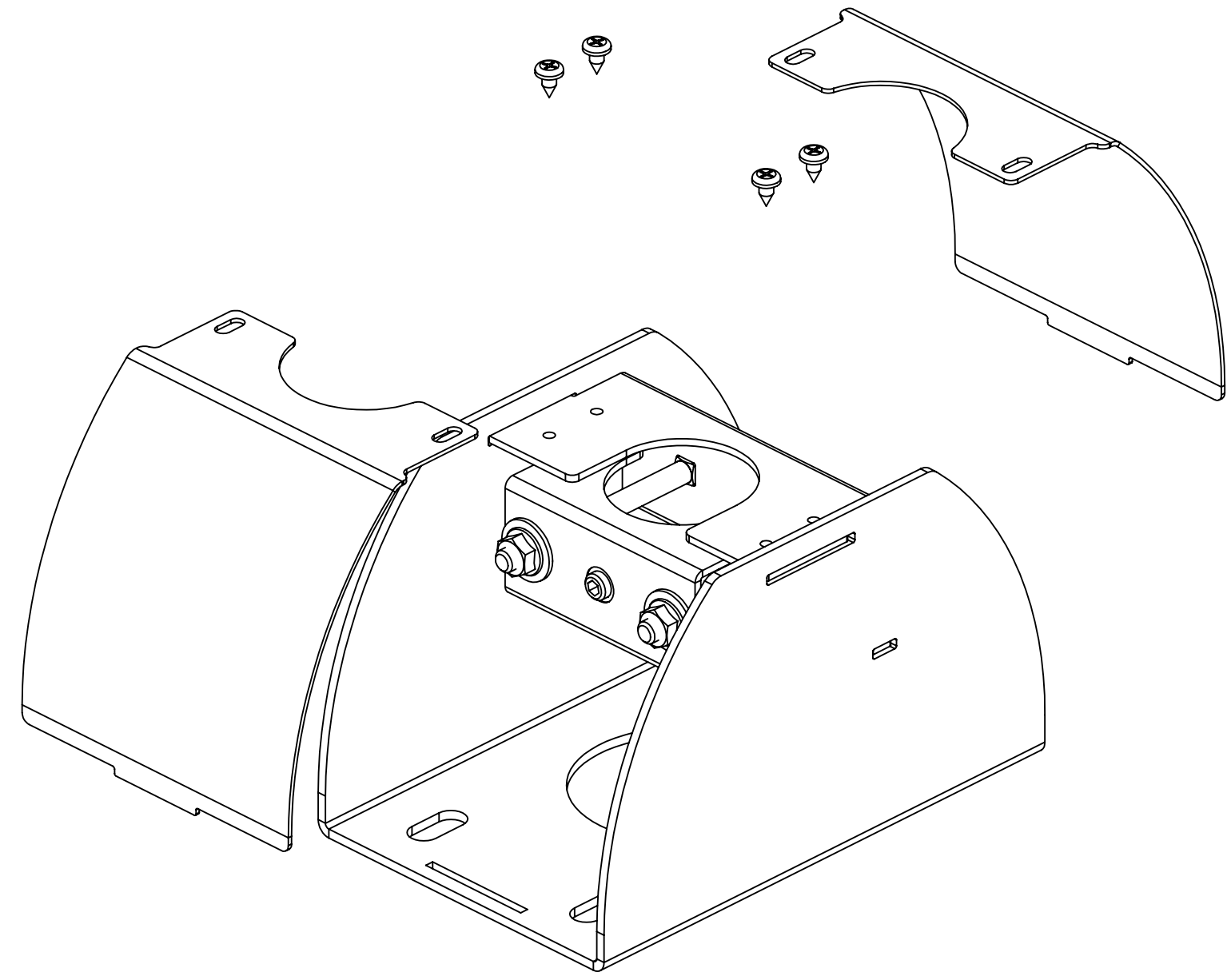


THE INFORMATION AND DESIGNS CONTAINED IN THIS DRAWING ARE CONFIDENTIAL AND THE PROPRIETARY PROPERTY OF MILESTONE AV TECHNOLOGIES NEITHER THIS DESIGN NOR ANY INFORMATION CONTAINED IN THIS DRAWING MAY BE REPRODUCED OR DISCLOSED TO OTHERS WITHOUT THE EXPRESS WRITTEN CONSENT OF MILESTONE AV TECHNOLOGIES.

CAD GENERATED DRAWING, DO NOT MANUALLY UPDATE.			CHIEF 6436 CITY WEST PKWY EDEN PRAIRIE, MN, 55344 PHONE: 866-977-3901 FAX: 877-894-6918
DRAWN BY	JAB	2/22/2017	
ENG APPROVAL			DESCRIPTION CLAMPING STYLE, COLUMN MOUNTING ACCESSORY
MFG APPROVAL			
QA APPROVAL			
SHEET 1 OF 2			MODEL NO. CPA353
SCALE	1:4	SIZE	DWG. NO. TECH-000840
		REV.	00




WITH COVER INCLUDED



COVER INSTALLATION

THE INFORMATION AND DESIGNS CONTAINED IN THIS DRAWING ARE CONFIDENTIAL AND THE PROPRIETARY PROPERTY OF MILESTONE AV TECHNOLOGIES NEITHER THIS DESIGN NOR ANY INFORMATION CONTAINED IN THIS DRAWING MAY BE REPRODUCED OR DISCLOSED TO OTHERS WITHOUT THE EXPRESS WRITTEN CONSENT OF MILESTONE AV TECHNOLOGIES.

CAD GENERATED DRAWING, DO NOT MANUALLY UPDATE.			 6436 CITY WEST PKWY EDEN PRAIRIE MN, 55344 PHONE: 866-977-3901 FAX: 877-894-6918
DRAWN BY	JAB	2/22/2017	
ENG APPROVAL			DESCRIPTION CLAMPING STYLE, COLUMN MOUNTING ACCESSORY
MFG APPROVAL			
QA APPROVAL			
SHEET 2 OF 2			MODEL NO. CPA353
SCALE	1:4	SIZE	DWG. NO. B TECH-000840
			REV. 00