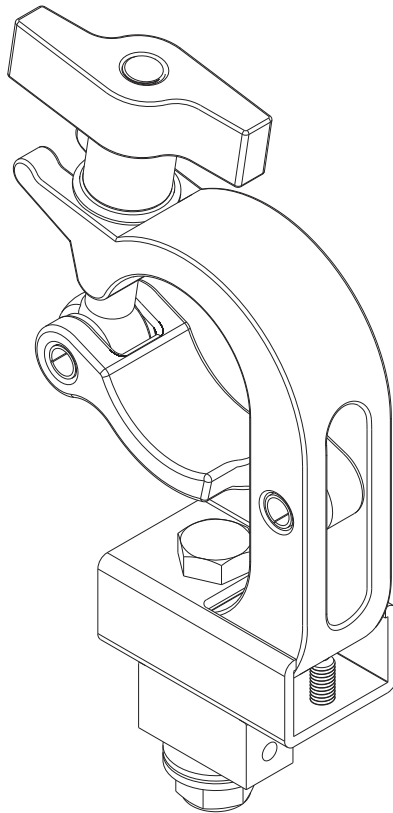

INSTALLATION INSTRUCTIONS



Truss Ceiling Adapter Accessory

Touchboards

205 Westwood Ave, Long Branch, NJ 07740

Phone: 866-94 BOARDS (26273) / (732)-222-1511

Fax: (732)-222-7088 | E-mail: sales@touchboards.com

 **CHIEF**[®]

Our Mounts. Your Vision.

CPA380

DISCLAIMER

Milestone AV Technologies and its affiliated corporations and subsidiaries (collectively "Milestone"), intend to make this manual accurate and complete. However, Milestone makes no claim that the information contained herein covers all details, conditions or variations, nor does it provide for every possible contingency in connection with the installation or use of this product. The information contained in this document is subject to change without notice or obligation of any kind. Milestone makes no representation of warranty, expressed or implied, regarding the information contained herein. Milestone assumes no responsibility for accuracy, completeness or sufficiency of the information contained in this document.

Chief® is a registered trademark of Milestone AV Technologies. All rights reserved.

DEFINITIONS

MOUNTING SYSTEM: A MOUNTING SYSTEM is the primary Chief product to which an accessory and/or component is attached.

ACCESSORY: AN ACCESSORY is the secondary Chief product which is attached to a primary Chief product, and may have a component attached or setting on it.

COMPONENT: A COMPONENT is an audiovisual item designed to be attached or resting on an accessory or mounting system such as a video camera, CPU, screen, display, projector, etc.



WARNING: A WARNING alerts you to the possibility of serious injury or death if you do not follow the instructions.



CAUTION: A CAUTION alerts you to the possibility of damage or destruction of equipment if you do not follow the corresponding instructions.



IMPORTANT SAFETY INSTRUCTIONS



WARNING: Failure to read, thoroughly understand, and follow all instructions can result in serious personal injury, damage to equipment, or voiding of factory warranty! It is the installer's responsibility to make sure all accessories are properly assembled and installed using the instructions provided.



WARNING: Failure to provide adequate structural strength for this accessory can result in serious personal injury or damage to equipment! It is the installer's responsibility to make sure the structure to which this accessory is attached can support five times the combined weight of all equipment. Reinforce the structure as required before installing the accessory.



WARNING: Exceeding the weight capacity can result in serious personal injury or damage to equipment! It is the installer's responsibility to make sure the combined weight of all components located within the mounting system of the CPA380 does not exceed 250 lbs (113.4 kg).

- The weight capacity of the CPA380 may be LIMITED to the lowest weight capacity of any other component or accessory used within the mounting system.



WARNING: Use this accessory only for its intended use as described in these instructions. Do not use attachments not recommended by the manufacturer.



WARNING: Never operate this accessory if it is damaged. Return the accessory to a service center for examination and repair.



WARNING: The CPA380 accessory is to be used vertically ONLY! Do NOT install accessory to pipe or truss horizontally.



WARNING: Do not use this accessory outdoors.

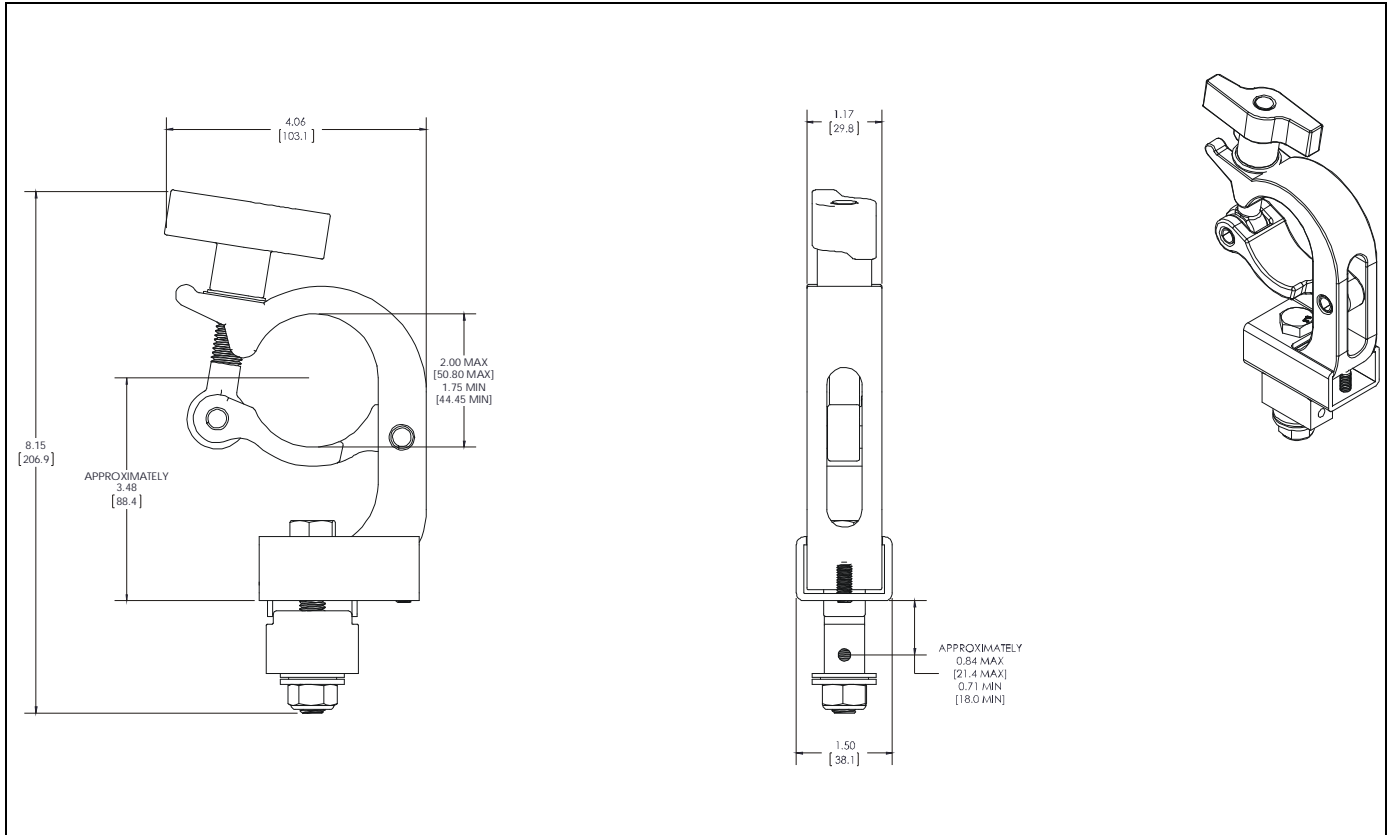
NOTE: Accessory is intended to be used with the UL Listed CPA Extension Column Series (not included).

IMPORTANT ! : The CPA380 accessory is designed for installation to a steel supporting truss or pipe with an outside diameter between 1.75" (44.45mm) and 2.0" (50.8mm).






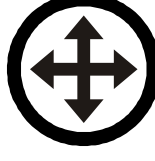






IMPORTANT ! : The CPA380 accessory is intended to be used with the UL listed CPA Pipe Series.

--SAVE THESE INSTRUCTIONS--

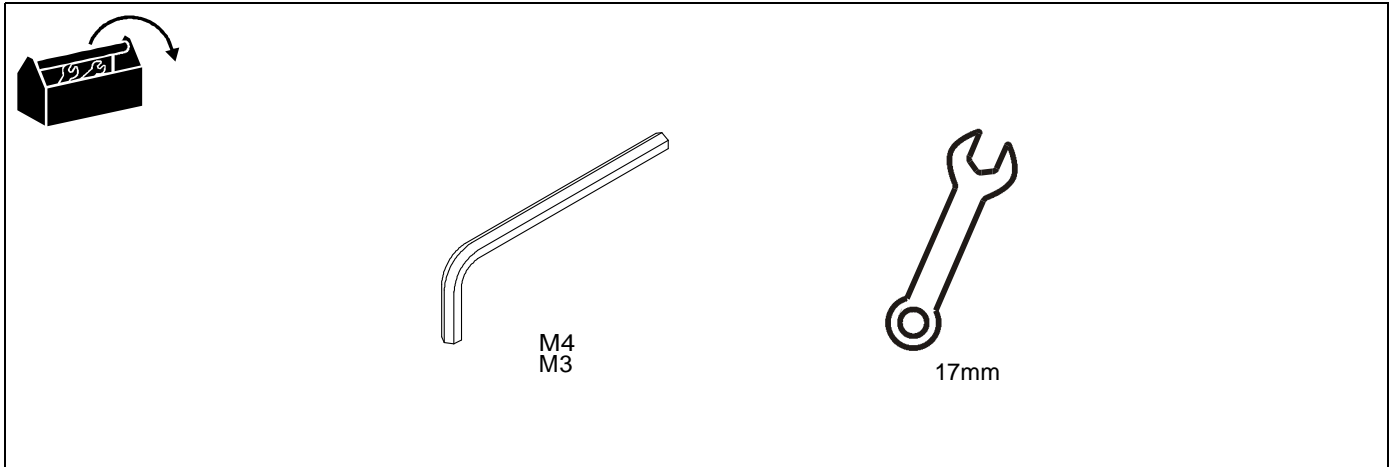
DIMENSIONS



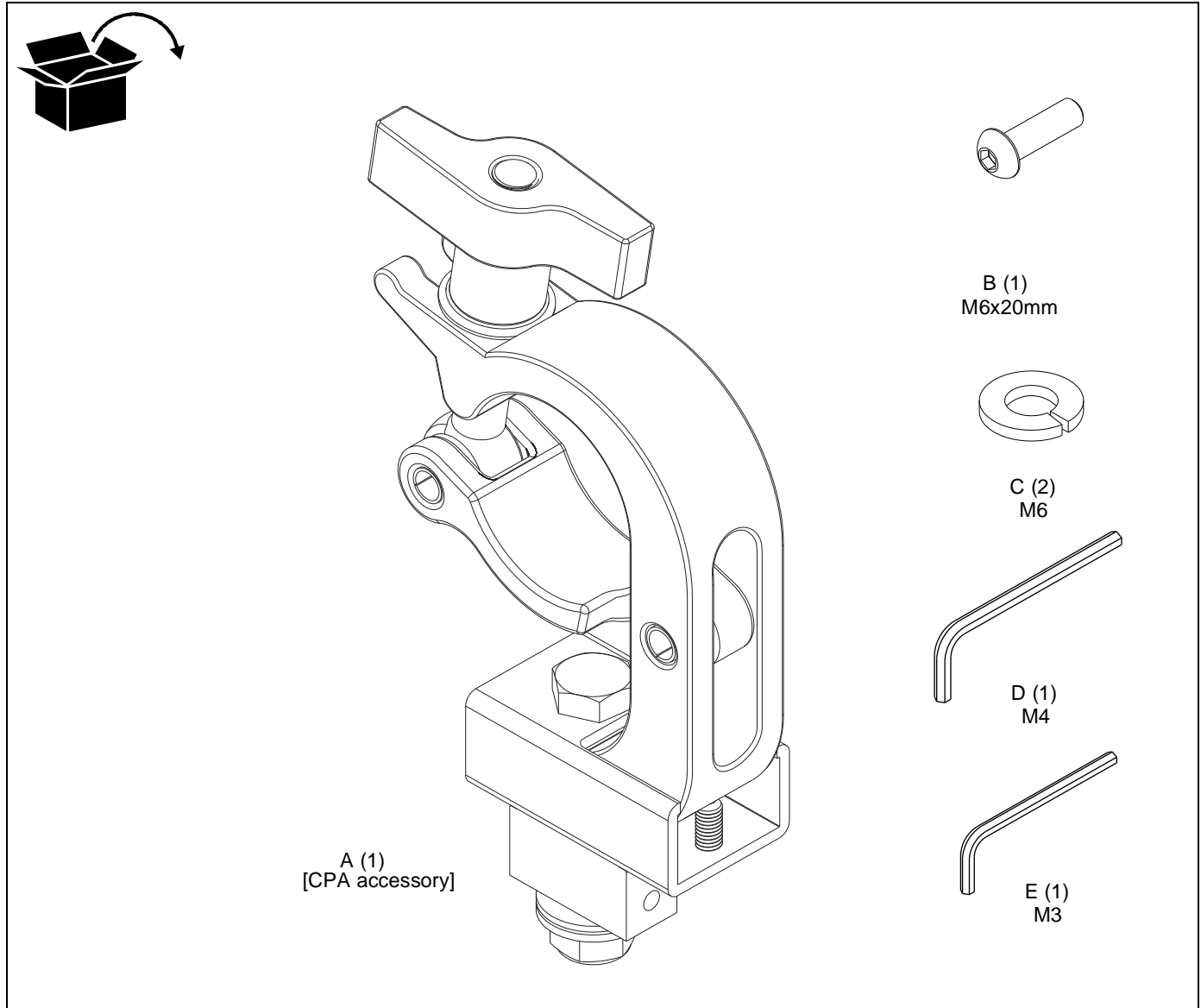
LEGEND

	Tighten Fastener Apretar elemento de fijación Befestigungsteil festziehen Apertar fixador Serrare il fissaggio Bevestiging vastdraaien Serrez les fixations		Pencil Mark Marcar con lápiz Stiftmarkierung Marcar com lápis Segno a matita Potloodmerkteken Marquage au crayon
	Loosen Fastener Aflojar elemento de fijación Befestigungsteil lösen Desapertar fixador Allentare il fissaggio Bevestiging losdraaien Desserrez les fixations		Drill Hole Perforar Bohrloch Fazer furo Praticare un foro Gat boren Percez un trou
	Phillips Screwdriver Destornillador Phillips Kreuzschlitzschraubendreher Chave de fendas Phillips Cacciavite a stella Kruiskopschroevendraaier Tournevis à pointe cruciforme		Adjust Ajustar Einstellen Ajustar Regolare Afstellen Ajuster
	Open-Ended Wrench Llave de boca Gabelschlüssel Chave de bocas Chiave a punte aperte Steeksleutel Clé à fourche		Remove Quitar Entfernen Remover Rimuovere Verwijderen Retirez
	By Hand A mano Von Hand Com a mão A mano Met de hand À la main		Optional Opcional Optional Opcional Opzionale Optie En option
	Hex-Head Wrench Llave de cabeza hexagonal Sechskantschlüssel Chave de cabeça sextavada Chiave esagonale Zeskantsleutel Clé à tête hexagonale		Security Wrench Llave de seguridad Sicherheitsschlüssel Chave de segurança Chiave di sicurezza Veiligheidsleutel Clé de sécurité

TOOLS REQUIRED FOR INSTALLATION



PARTS



Assembly And Installation

Display Enclosure Assembly

1. Turn knob counter-clockwise until the knob and retaining washer can be removed from the upper bar on the clamp. (See Figure 1)
2. Open the clamp so that it can be installed around a pipe or truss. (See Figure 1)

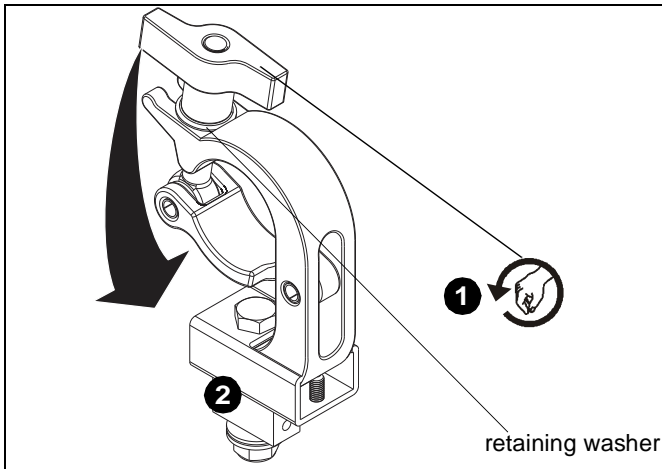


Figure 1

3. Wrap opened clamp around pipe or truss at desired mounting location. (See Figure 2)

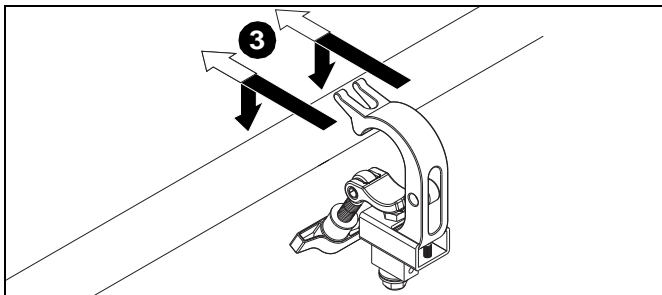


Figure 2

4. Pull lower part of clamp up to its original position. (See Figure 3)
5. Tighten knob until clamp is securely installed to pipe or truss. (See Figure 3)

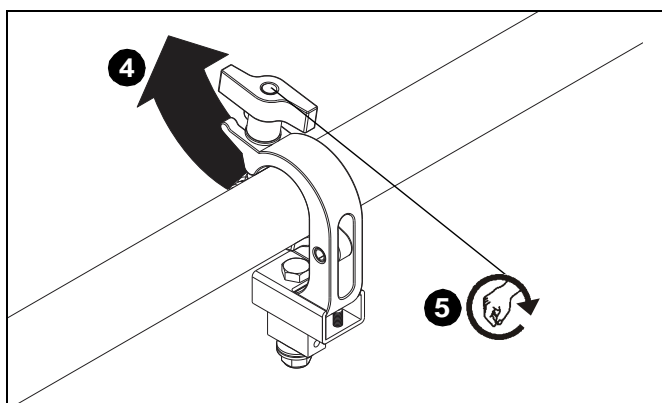


Figure 3



WARNING: Exceeding the weight capacity can result in serious personal injury or damage to equipment! It is the installer's responsibility to make sure the combined weight of all components located within the mounting system of the CPA380 does not exceed 250 lbs (113.4 kg).

- The weight capacity of the CPA380 may be LIMITED to the lowest weight capacity of any other component or accessory used within the mounting system
6. Making sure holes on extension column (not included) and CPA380 (A) are aligned, install column onto bottom of CPA380. (See Figure 4)
 7. Use M4 hex key (D), two M6x16 button head screws (B) and two M4 lock washers (C) to secure CPA380 to CPA extension column. (See Figure 4)

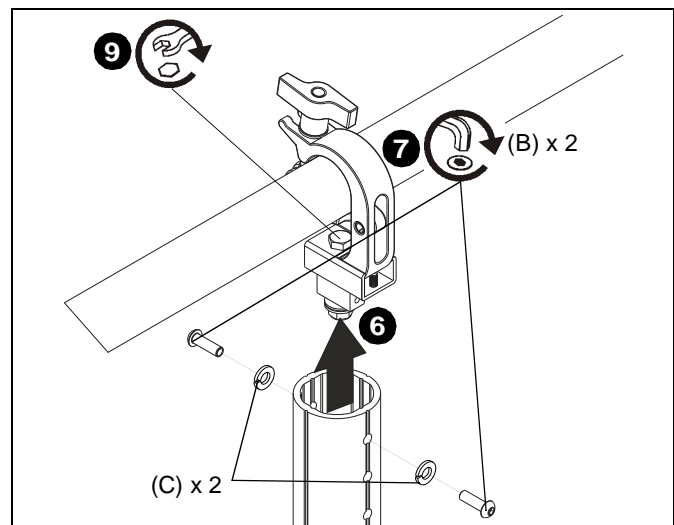


Figure 4

8. Use M3 hex key (E) to tighten set screw until screw engages with back of clamp. (See Figure 5)

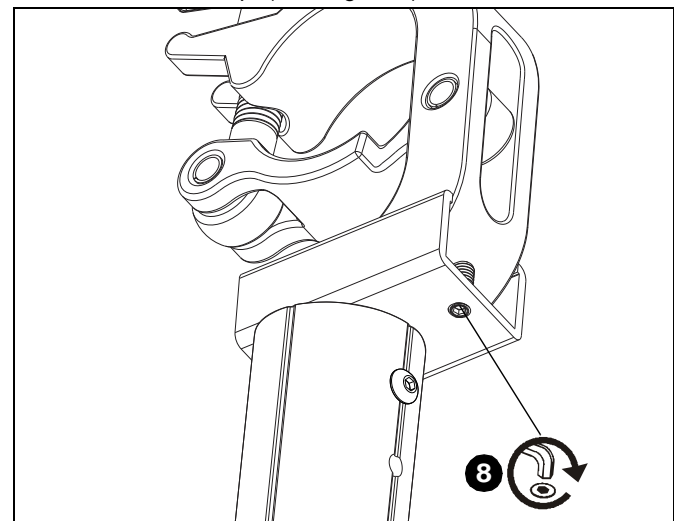


Figure 5

9. Tighten hex head bolt holding pin connector to clamp using 17mm wrench. (See Figure 4)

Pipe Removal

Follow these steps to remove a pipe installed to the CPA380.

1. Use M3 hex key (E) to loosen set screw until screw is disengaged with back of clamp. (See Figure 6)

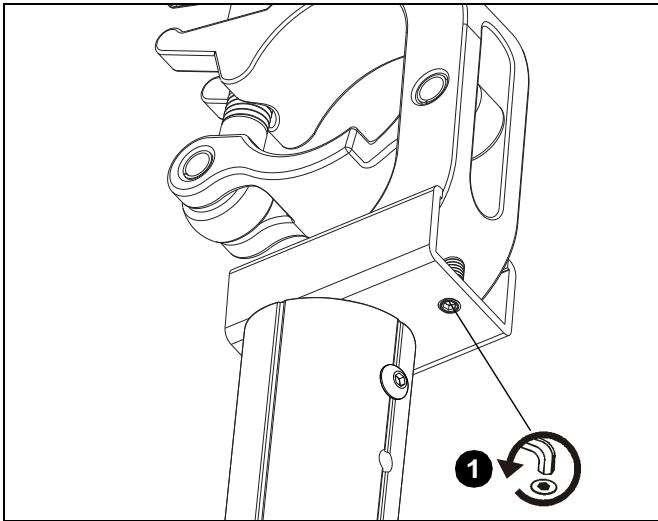


Figure 6

2. Loosen hex head bolt holding pin connector to clamp using 17mm wrench. (See Figure 7)
3. Remove two screws (B) and two lock washers (C) from pipe using M4 hex key (D). (See Figure 7)

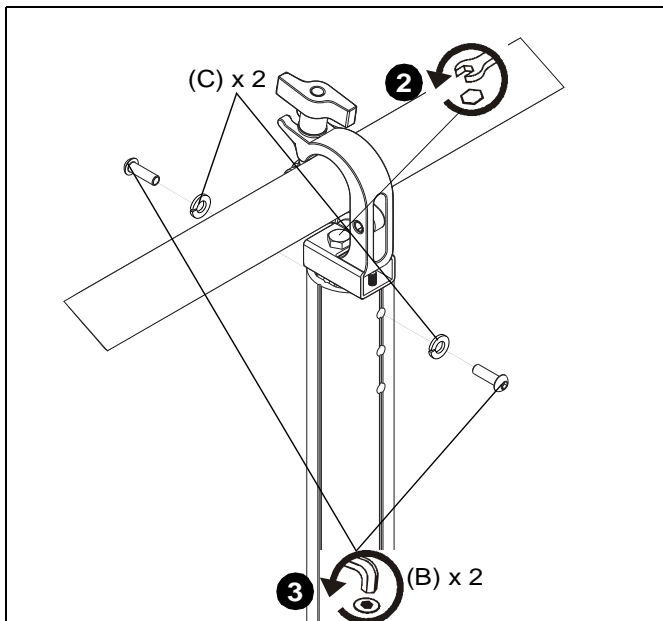


Figure 7

Touchboards

205 Westwood Ave, Long Branch, NJ 07740

Phone: 866-94 BOARDS (26273) / (732)-222-1511

Fax: (732)-222-7088 | E-mail: sales@touchboards.com



Our Mounts. **Your Vision.**

Chief, a products division of
Milestone AV Technologies

8800-002873 Rev00
©2016 Milestone AV Technologies
www.milestone.com
12/16

USA/International	A 6436 City West Parkway, Eden Prairie, MN 55344
	P 800.582.6480 / 952.225.6000
	F 877.894.6918 / 952.894.6918
Europe	A Franklinstraat 14, 6003 DK Weert, Netherlands
	P +31 (0) 495 580 852
	F +31 (0) 495 580 845
Asia Pacific	A Office No. 918 on 9/F, Shatin Galleria 18-24 Shan Mei Street Fotan, Shatin, Hong Kong
	P 852 2145 4099
	F 852 2145 4477

