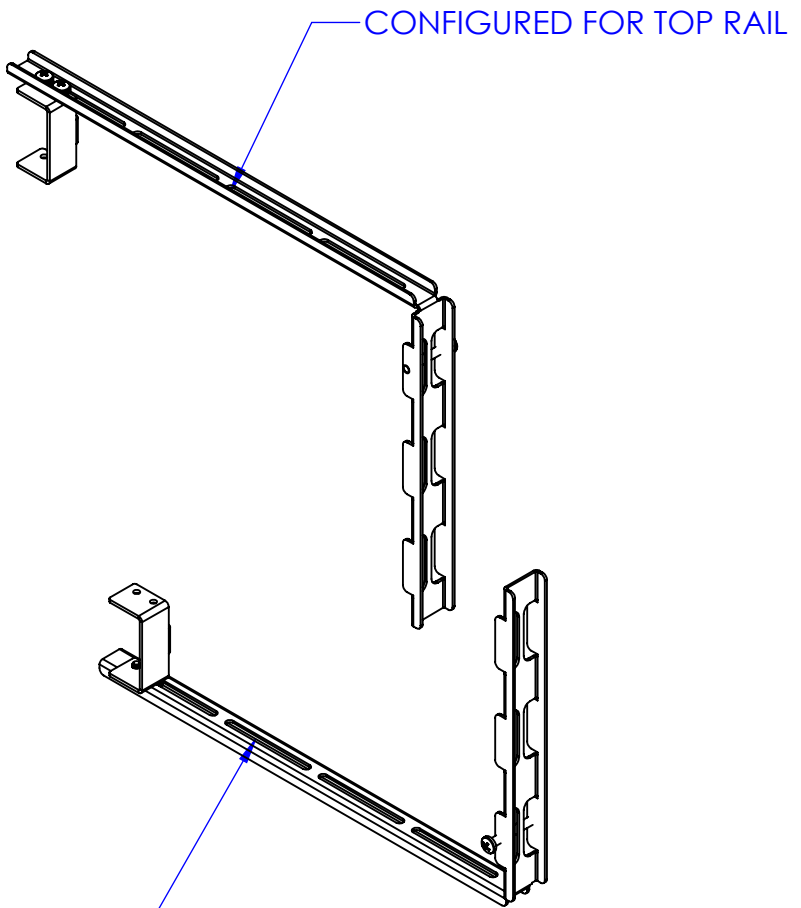
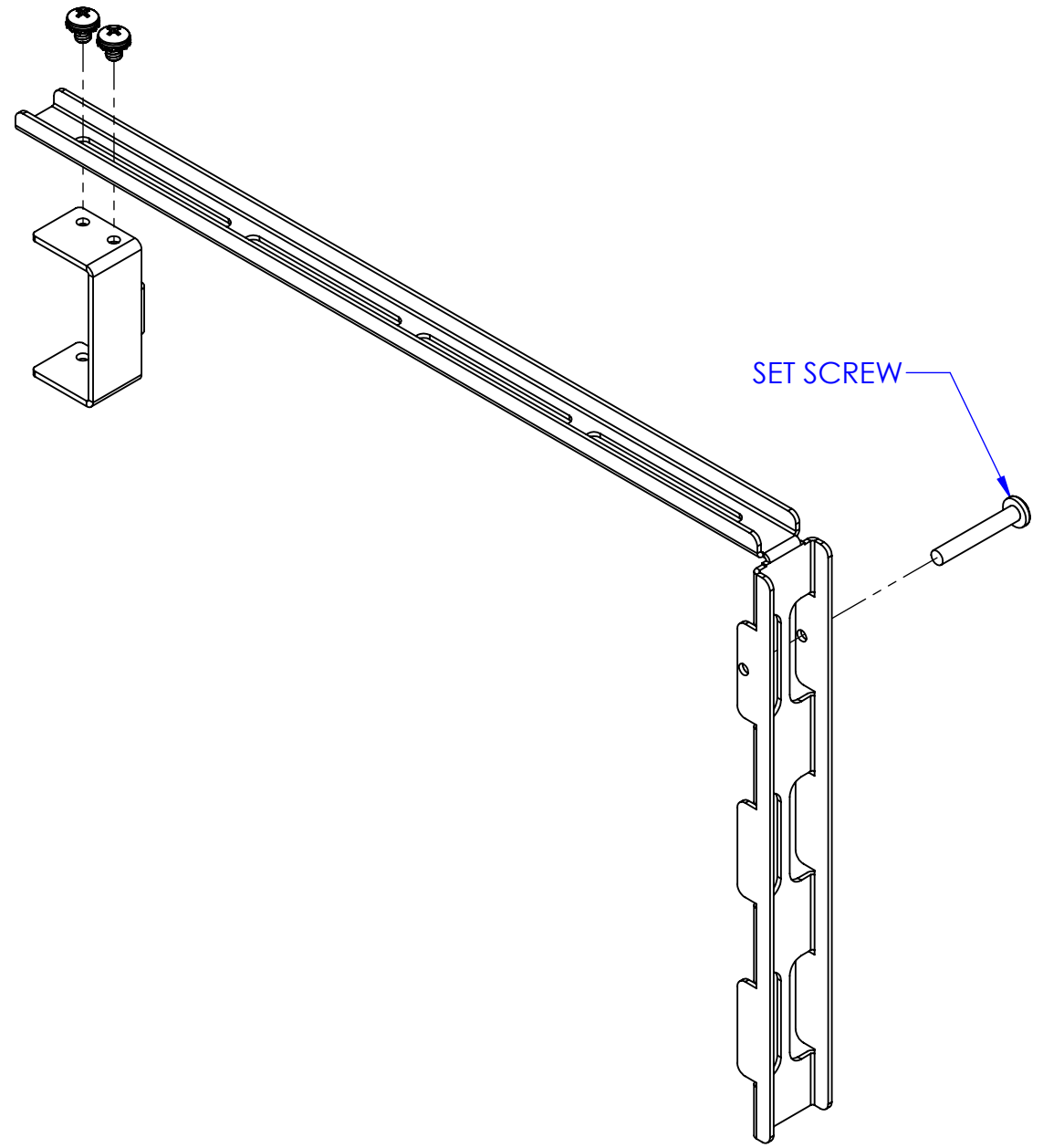
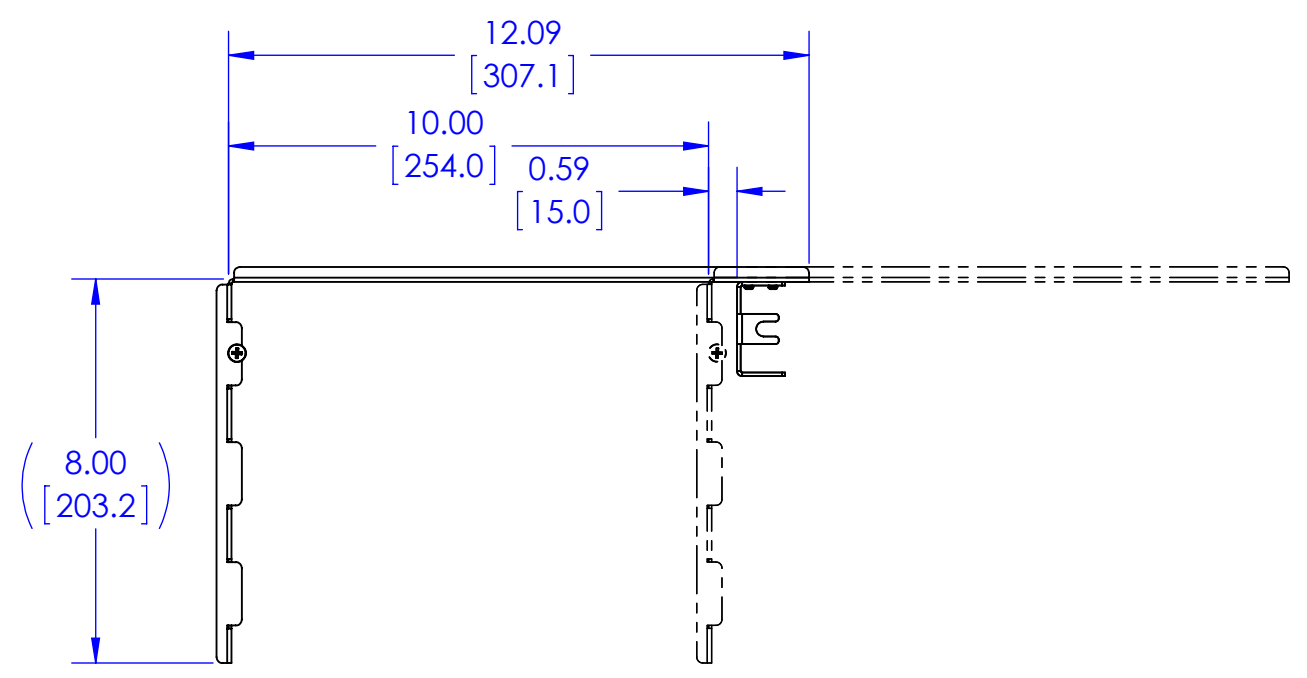


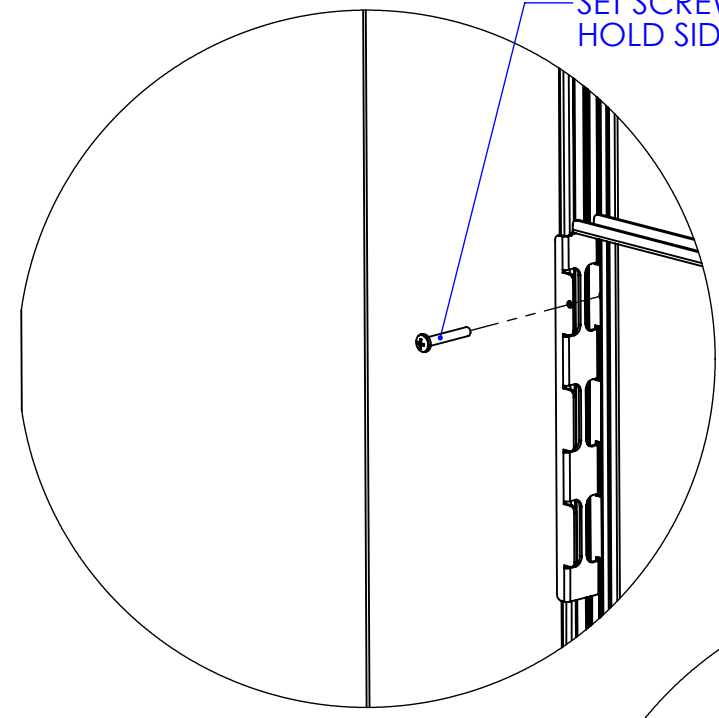
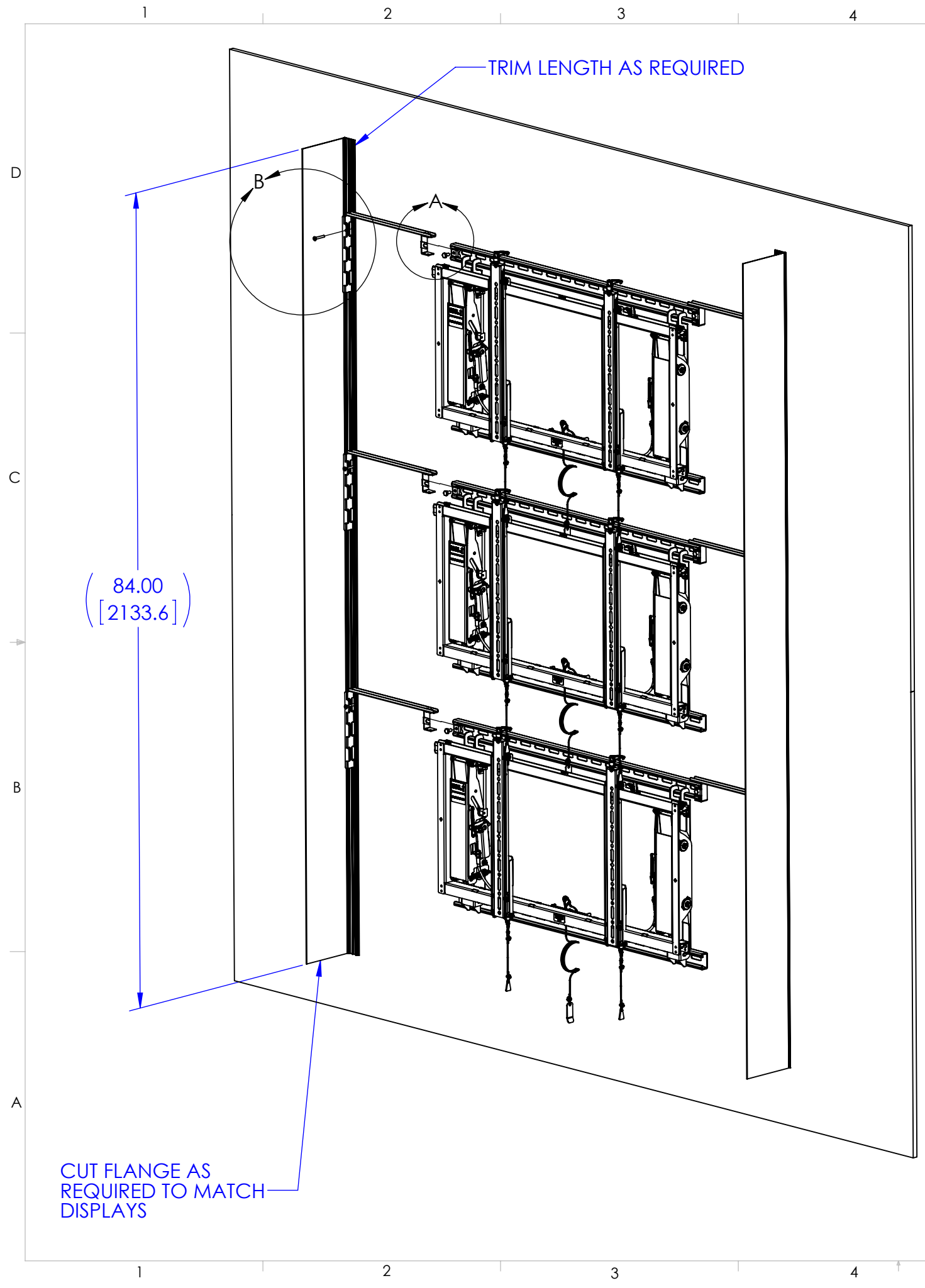
THE INFORMATION AND DESIGNS CONTAINED IN THIS DRAWING ARE CONFIDENTIAL AND THE PROPRIETARY PROPERTY OF MILESTONE AV TECHNOLOGIES NEITHER THIS DESIGN NOR ANY INFORMATION CONTAINED IN THIS DRAWING MAY BE REPRODUCED OR DISCLOSED TO OTHERS WITHOUT THE EXPRESS WRITTEN CONSENT OF MILESTONE AV TECHNOLOGIES.

CAD GENERATED DRAWING, DO NOT MANUALLY UPDATE.			CHIEF 6436 CITY WEST PKWY EDEN PRAIRIE MN, 55344 PHONE: 866-977-3901 FAX: 877-894-6918	
DRAWN BY	HEF	3/2/2017	DESCRIPTION CONNEXSYS SIDE COVER SYSTEM	
ENG APPROVAL			MODEL NO. CSACB2 / CSACK06B	
MFG APPROVAL			SIZE DWG. NO. B TECH-000838	
QA APPROVAL			REV. 01	
SHEET 1 OF 3		SCALE 1:1		



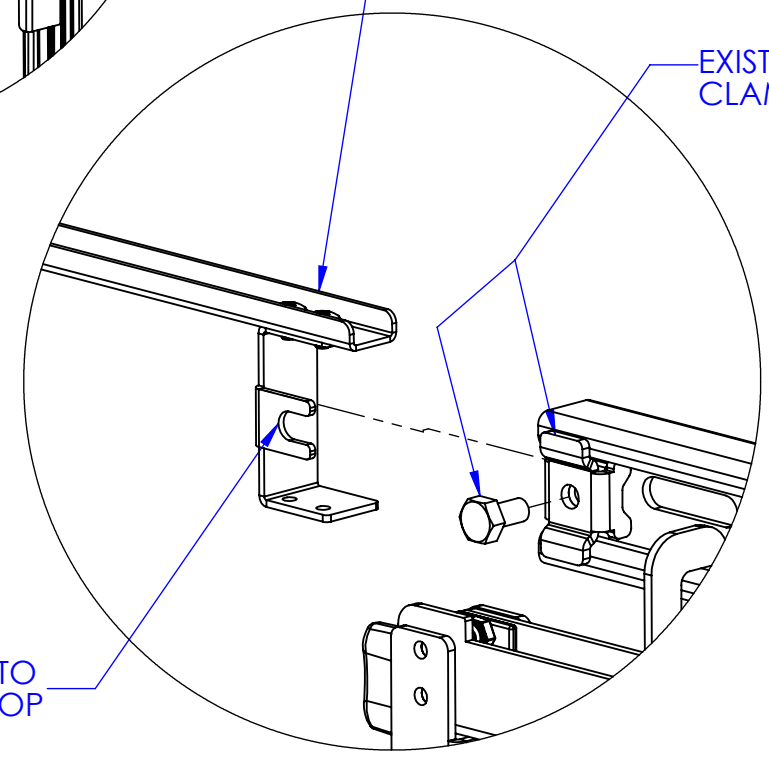
THE INFORMATION AND DESIGNS CONTAINED IN THIS DRAWING ARE CONFIDENTIAL AND THE PROPRIETARY PROPERTY OF MILESTONE AV TECHNOLOGIES NEITHER THIS DESIGN NOR ANY INFORMATION CONTAINED IN THIS DRAWING MAY BE REPRODUCED OR DISCLOSED TO OTHERS WITHOUT THE EXPRESS WRITTEN CONSENT OF MILESTONE AV TECHNOLOGIES.

CAD GENERATED DRAWING, DO NOT MANUALLY UPDATE.			6436 CITY WEST PKWY EDEN PRAIRIE MN, 55344 PHONE: 866-977-3901 FAX: 877-894-6918			
DRAWN BY	HEF	3/2/2017				
ENG APPROVAL			DESCRIPTION			
MFG APPROVAL			CONNEXSYS SIDE COVER SYSTEM			
QA APPROVAL			MODEL NO.			
SHEET 2 OF 3			SCALE	SIZE	DWG. NO.	REV.
			1:4	B	TECH-000838	01



SET SCREW, TIGHTEN AS REQUIRED TO HOLD SIDE COVER MATERIAL

DETAIL B
SCALE 1 : 4



ADJUST EXTENSION POSITION AS REQUIRED, SEE SHEET 2

EXISTING STOP CLAMP

CLEAT INSTALLS TO EXISTING END STOP

DETAIL A
SCALE 1 : 2
TYPICAL 3 PLACES

THE INFORMATION AND DESIGNS CONTAINED IN THIS DRAWING ARE CONFIDENTIAL AND THE PROPRIETARY PROPERTY OF MILESTONE AV TECHNOLOGIES NEITHER THIS DESIGN NOR ANY INFORMATION CONTAINED IN THIS DRAWING MAY BE REPRODUCED OR DISCLOSED TO OTHERS WITHOUT THE EXPRESS WRITTEN CONSENT OF MILESTONE AV TECHNOLOGIES.

CAD GENERATED DRAWING, DO NOT MANUALLY UPDATE.				6436 CITY WEST PKWY EDEN PRAIRIE MN, 55344 PHONE: 866-977-3901 FAX: 877-894-6918	
DRAWN BY	HEF	3/2/2017		DESCRIPTION CONNEXSYS SIDE COVER SYSTEM	
ENG APPROVAL			MODEL NO. CSACB2 / CSACK06B		
MFG APPROVAL			SIZE	DWG. NO.	REV.
QA APPROVAL			B	TECH-000838	01
SHEET 3 OF 3			SCALE		
			1:12		