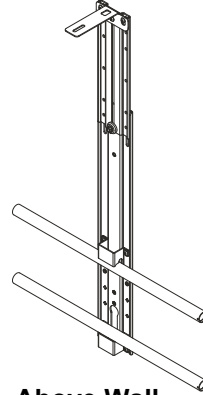

INSTALLATION INSTRUCTIONS



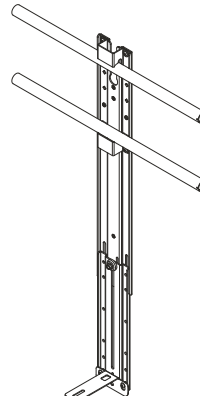
Above Cart/Ceiling



Above Wall



Below Cart/Ceiling



Below Wall

(FCA813 shown)

Fusion™ Small Above/Below Accessory Shelf

DISCLAIMER

Milestone AV Technologies and its affiliated corporations and subsidiaries (collectively "Milestone"), intend to make this manual accurate and complete. However, Milestone makes no claim that the information contained herein covers all details, conditions or variations, nor does it provide for every possible contingency in connection with the installation or use of this product. The information contained in this document is subject to change without notice or obligation of any kind. Milestone makes no representation of warranty, expressed or implied, regarding the information contained herein. Milestone assumes no responsibility for accuracy, completeness or sufficiency of the information contained in this document.

Chief® is a registered trademark of Milestone AV Technologies. All rights reserved.

DEFINITIONS

MOUNTING SYSTEM: A MOUNTING SYSTEM is the primary Chief product to which an accessory and/or component is attached.

ACCESSORY: AN ACCESSORY is the secondary Chief product which is attached to a primary Chief product, and may have a component attached or setting on it.

COMPONENT: A COMPONENT is an audiovisual item designed to be attached or resting on an accessory or mounting system such as a video camera, CPU, screen, display, projector, etc.



WARNING: A WARNING alerts you to the possibility of serious injury or death if you do not follow the instructions.



CAUTION: A CAUTION alerts you to the possibility of damage or destruction of equipment if you do not follow the corresponding instructions.



IMPORTANT SAFETY INSTRUCTIONS



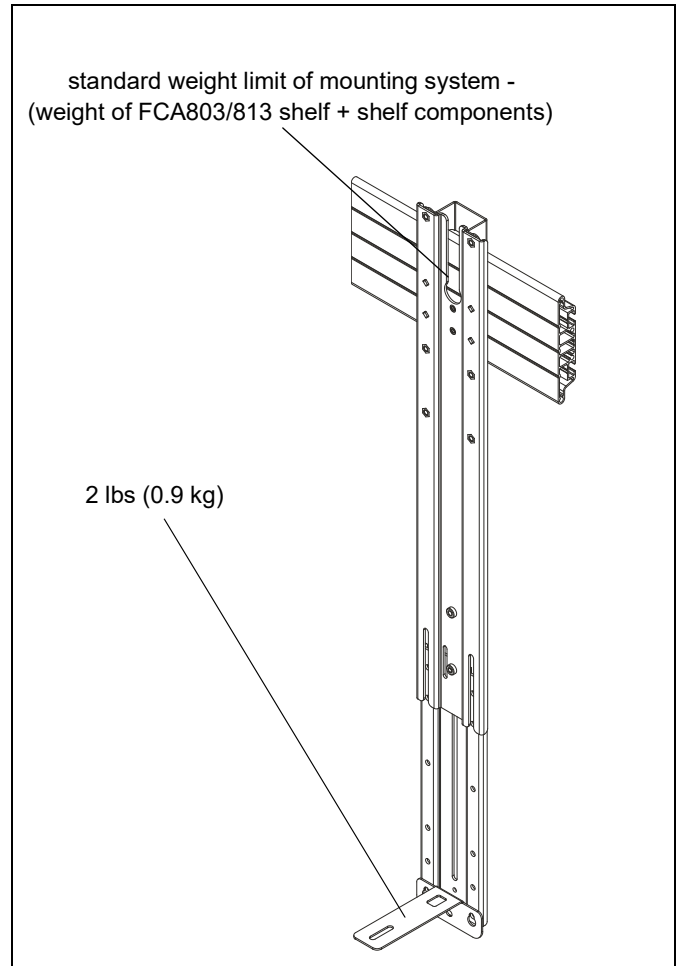
WARNING: Failure to read, thoroughly understand, and follow all instructions can result in serious personal injury, damage to equipment, or voiding of factory warranty! It is the installer's responsibility to make sure all accessories are properly assembled and installed using the instructions provided.



WARNING: Exceeding the weight capacity can result in serious personal injury or damage to equipment! It is the installer's responsibility to make sure the weight mounted to the FCA803/813 shelf does not exceed 2 lbs (0.9 kg).



WARNING: Use of this accessory will decrease the weight capacity of the mounting system to which it is attached by the combined weight of the accessory and all components supported by this accessory! See Figure below for reference.



WARNING: Use this accessory only for its intended use as described in these instructions. Do not use attachments not recommended by the manufacturer.



WARNING: Never operate this accessory if it is damaged. Return the accessory to a service center for examination and repair.



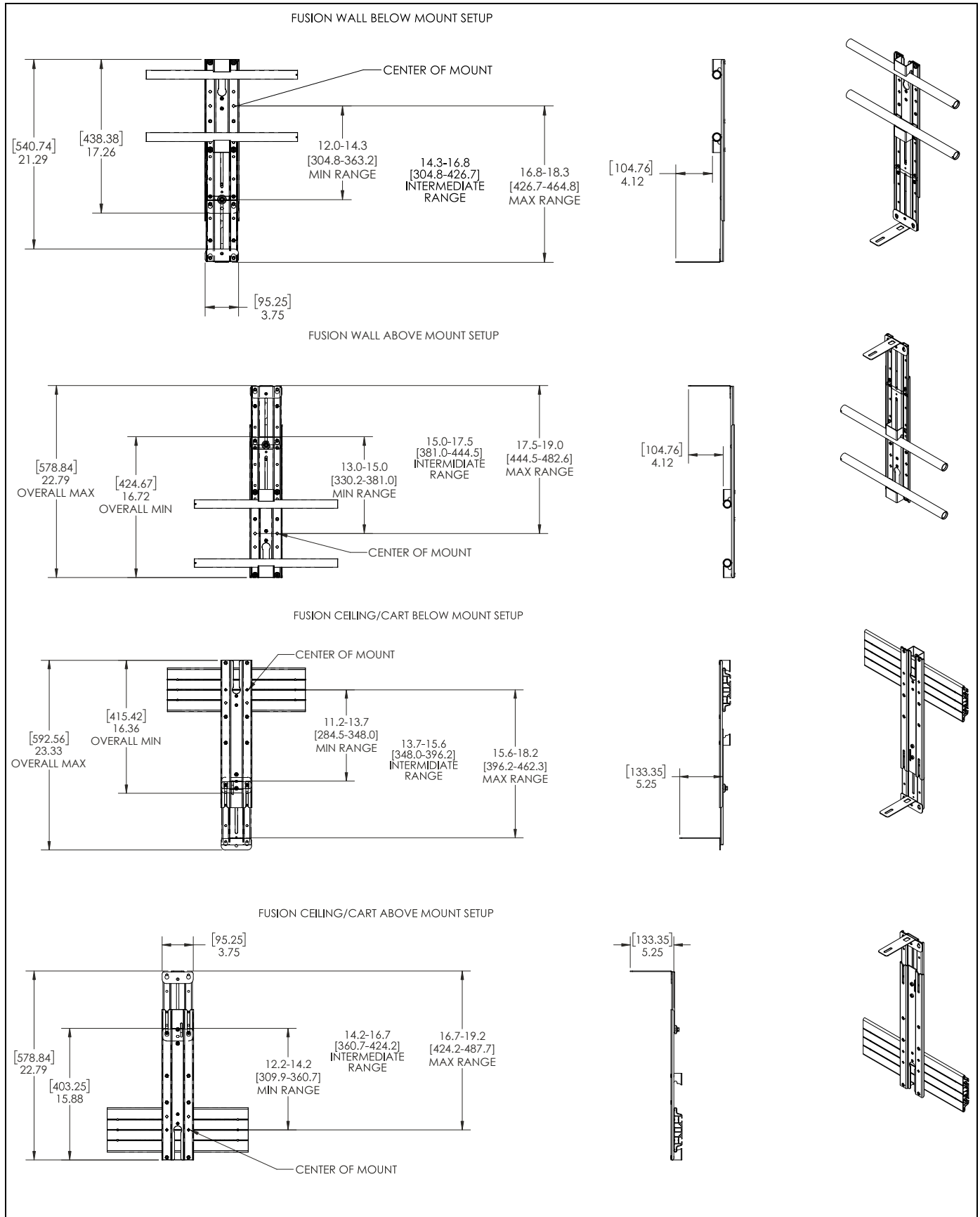
WARNING: Do not use this product outdoors.



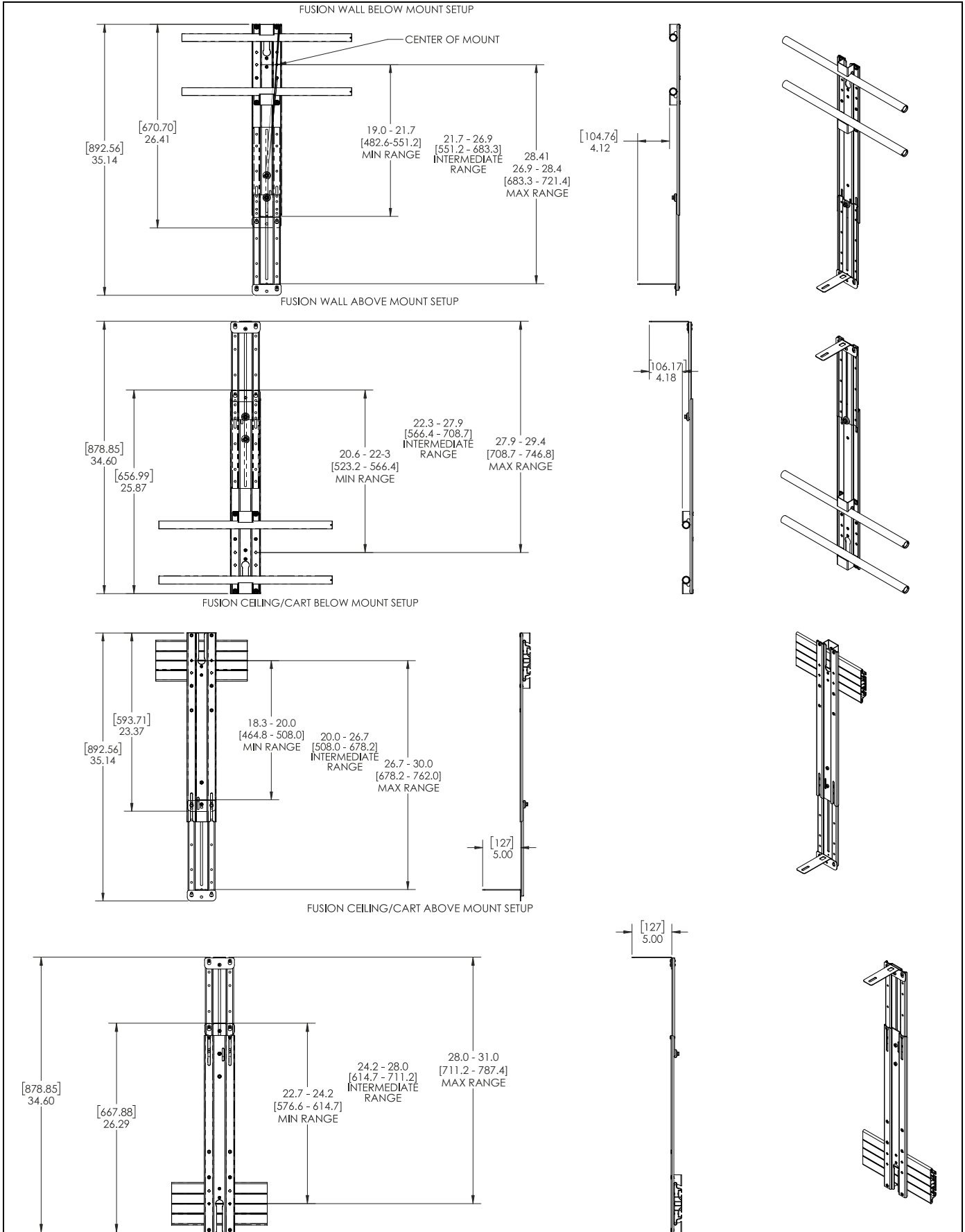
WARNING: RISK OF INJURY TO PERSONS! Do not use this accessory to support video equipment such as televisions or computer monitors.

--SAVE THESE INSTRUCTIONS--

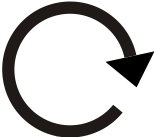

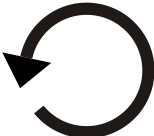


DIMENSIONS - FCA803



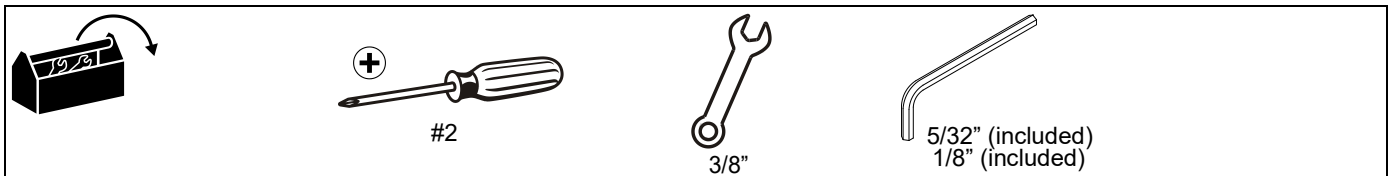
DIMENSIONS - FCA813



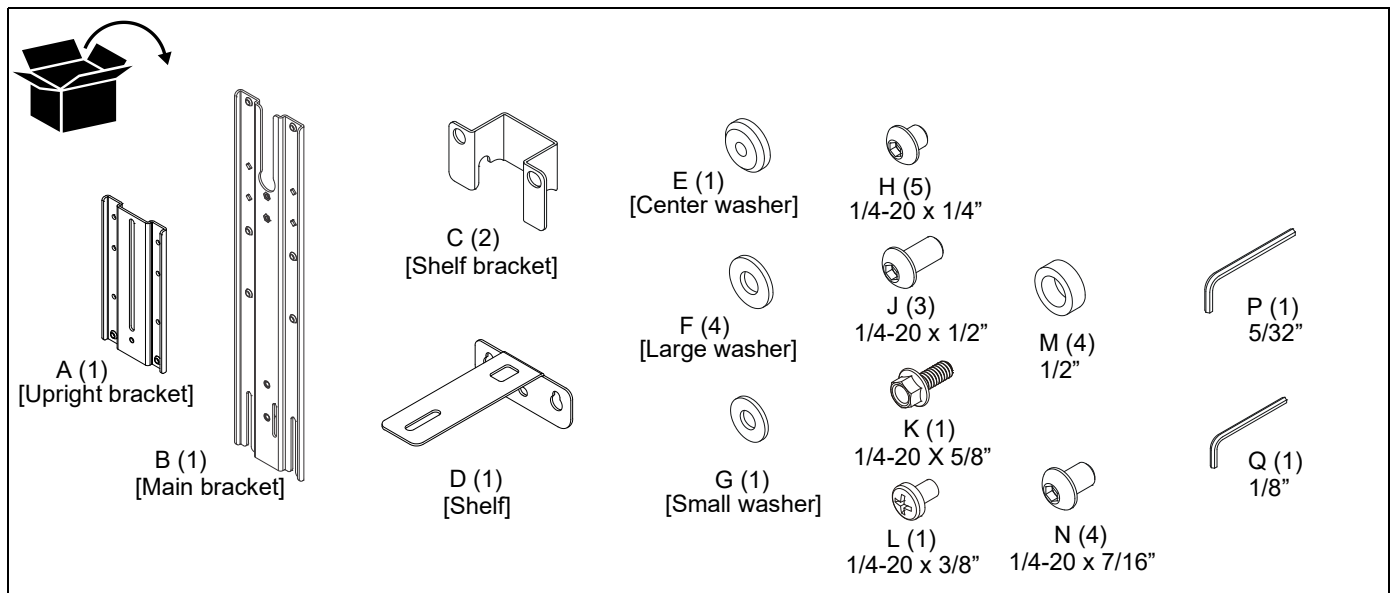
LEGEND

	<p>Tighten Fastener Apretar elemento de fijación Befestigungsteil festziehen Apertar fixador Serrare il fissaggio Bevestiging vastdraaien Serrez les fixations</p>		<p>Phillips Screwdriver Destornillador Phillips Kreuzschlitzschraubendreher Chave de fendas Phillips Cacciavite a stella Kruiskop Schroevendraaier Tournevis à pointe cruciforme</p>
	<p>Loosen Fastener Aflojar elemento de fijación Befestigungsteil lösen Desapertar fixador Allentare il fissaggio Bevestiging losdraaien Desserrez les fixations</p>		<p>Open-Ended Wrench Llave de boca Gabelschlüssel Chave de bocas Chiave a punte aperte Steeksleutel Clé à fourche</p>
	<p>Hex-Head Wrench Llave de cabeza hexagonal Sechskantschlüssel Chave de cabeça sextavada Chiave esagonale Zeskantsleutel Clé à tête hexagonale</p>		

TOOLS REQUIRED FOR INSTALLATION



PARTS



ASSEMBLY AND INSTALLATION

Below Installation

NOTE: FCA803 and FCA813 shelves may be installed above or below displays. To install above display, proceed to "Above Installation" Section.

Assembling Shelf to Upright Bracket

1. Loosely install two 1/4-20 x 1/2" button head cap screws (J) into lowest holes on upright bracket (A). (See Figure 1) or (See Figure 2)
2. Hang shelf support (D) onto two screws installed in Step 1. (See Figure 1) or (See Figure 2)
3. Tighten two screws to ensure upright bracket (A) is securely attached to shelf support (D). (See Figure 1) or (See Figure 2)

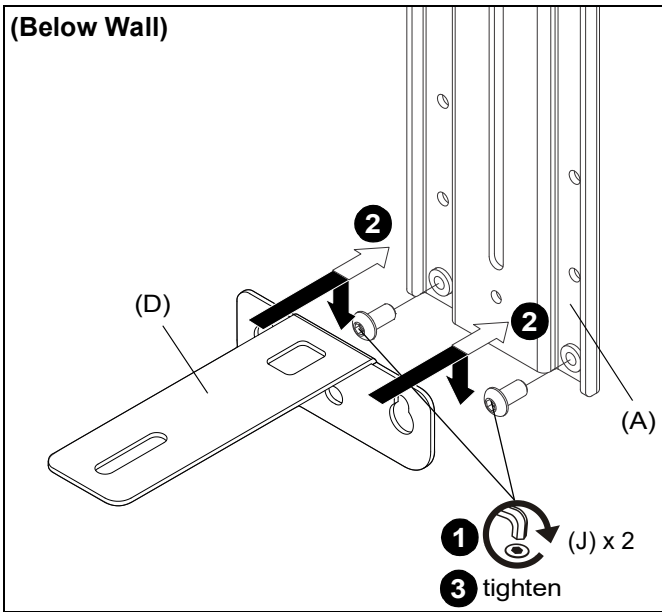


Figure 1

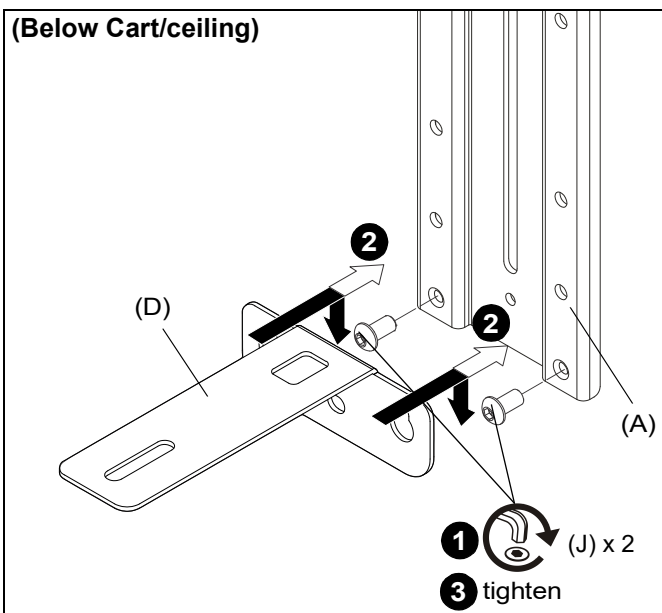


Figure 2

Attaching Shelf to Wall Mount

NOTE: If attaching to cart or ceiling mount, proceed to **Attach Shelf to Cart/Ceiling Section**.

1. Use two 1/4-20 x 1/4" button head cap screws (H) and two large washers (F) to secure shelf bracket (C) to main bracket (B). (See Figure 3)



CAUTION: Slide bracket with caution so that the bracket does not scratch or damage the wall!

2. Slide main bracket (B) behind wall mount rails until shelf bracket (C) rests on top of wall mount rail. (See Figure 3)

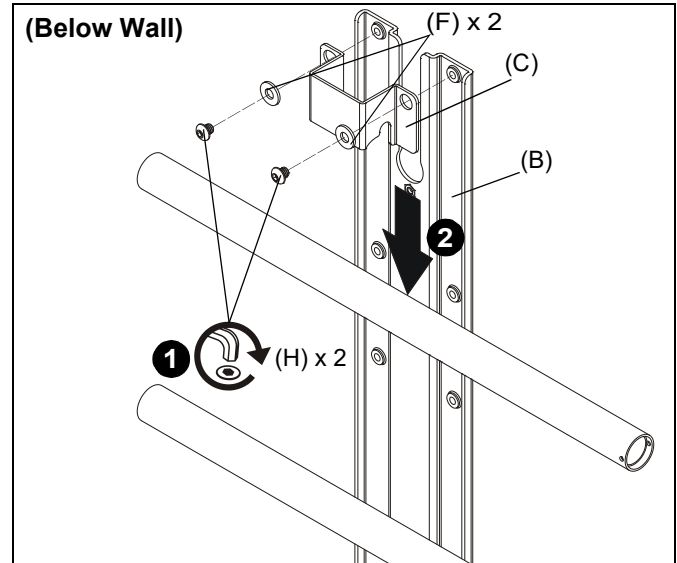


Figure 3

3. Slide second shelf bracket (C) underneath lower rail on wall mount, lining up holes on shelf bracket (C) to main bracket (B). (See Figure 4)
4. Use two 1/4-20 x 1/4" button head cap screws (H) and two large washers (F) to secure shelf bracket (C) to main bracket (B). (See Figure 4)

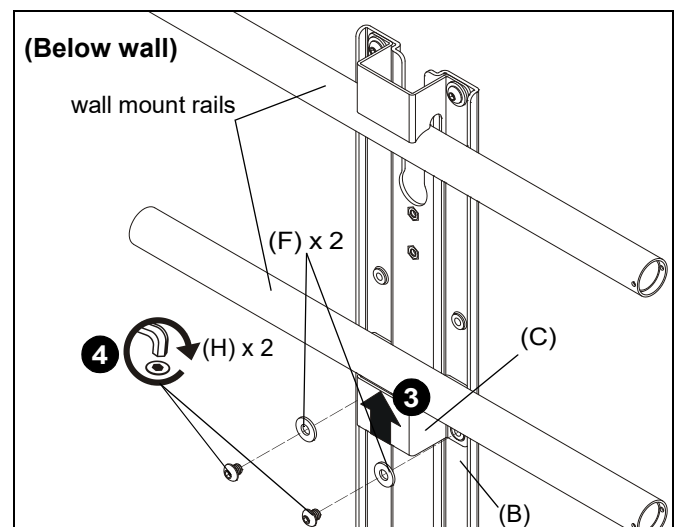


Figure 4

NOTE: Refer to Table 1 and dimension drawings on pages 3-4 to determine the extension level based on extension distance from mount center.

Table 1: Below Wall Mount

Extension distance from center of mount (in.)	
12.0-14.3	Minimum (FCA803)
14.3-16.8	Intermediate (FCA803)
16.8-18.3	Maximum (FCA803)
19.0-21.7	Minimum (FCA813)
21.7-26.9	Intermediate (FCA813)
26.9-28.4	Maximum (FCA813)

NOTE: Minimum and maximum configurations are shown below. Intermediate configuration is the same.

- Use 1/4-20 x 5/8" hex head flange bolt (K) and center washer (E) to secure upright bracket (A) to main bracket (B). (See Figure 5)

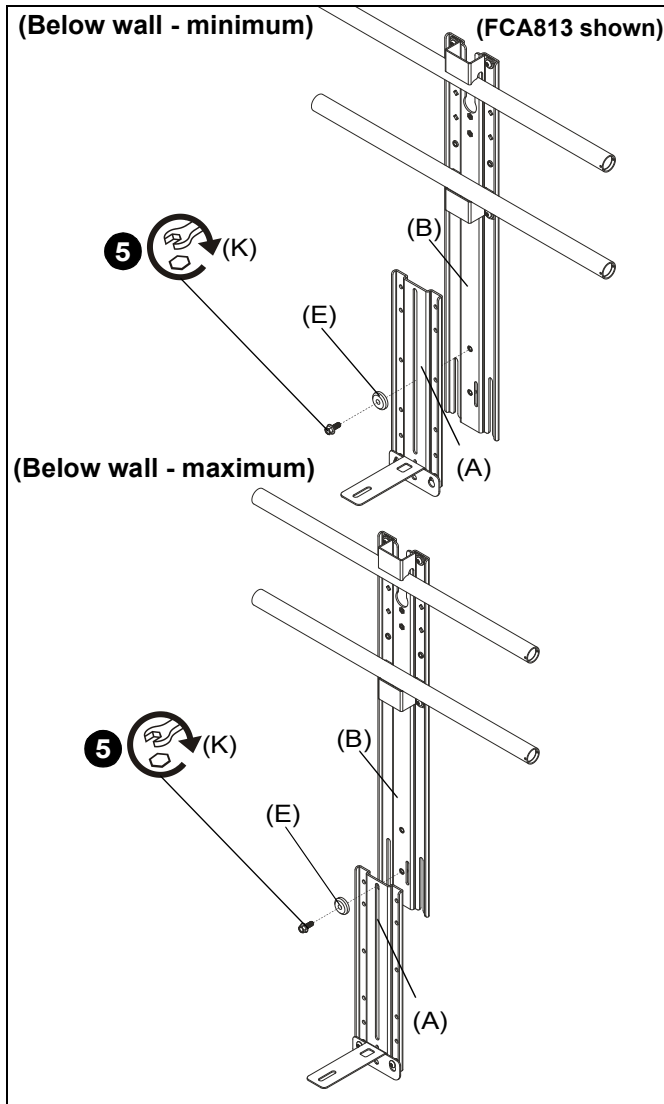


Figure 5

Attaching Shelf to Cart/Ceiling Mount

IMPORTANT ! : If installing to a 2x1 display cart using the FCA623 accessory, proceed to "Installing to FCA623 Accessory" Section (Step 6).

- Use two 1/4-20 x 1/4" button head cap screws (H) and two large washers (F) to secure shelf bracket (C) to main bracket (B). (See Figure 6)
- Slide main bracket (B) onto front of cart/ceiling mount head assembly until shelf bracket (C) rests on top of head assembly. (See Figure 6)

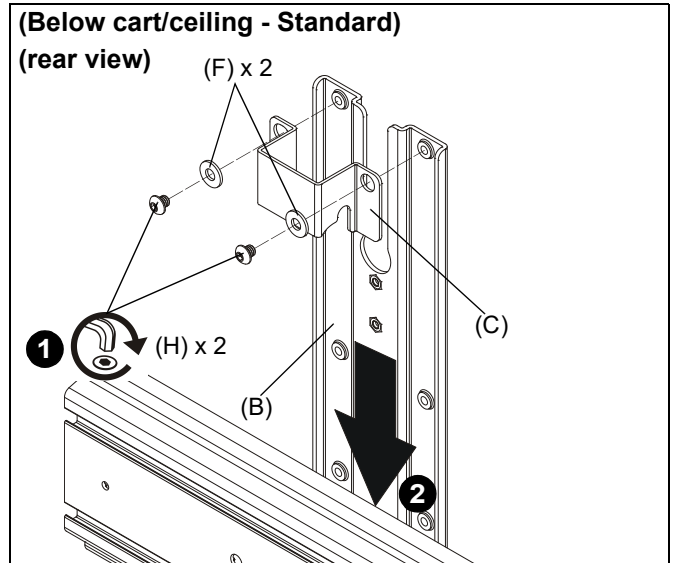


Figure 6

- Slide second shelf bracket (C) underneath head assembly, lining up holes on shelf bracket (C) to holes on main bracket (B). (See Figure 7)
- Use two 1/4-20 x 1/4" button head cap screws (H) and two large washers (F) to secure shelf bracket (C) to main bracket (B). (See Figure 7)

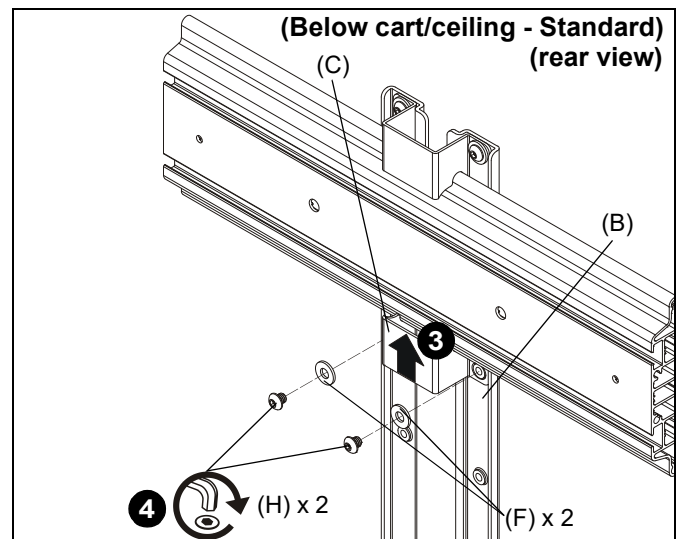


Figure 7

- Proceed to Step 11.

Installing to FCA623 Accessory

IMPORTANT ! : Steps 6-10 only apply if installing to FCA623 accessory.

6. Use two 1/4-20 x 7/16" button head cap screws (N), two large washers (F) and two 1/2" spacers (M) to secure shelf bracket (C) to main bracket (B). (See Figure 8)
7. Slide main bracket (B) onto front of cart/ceiling mount head assembly until shelf bracket (C) rests on top of head assembly. (See Figure 8)

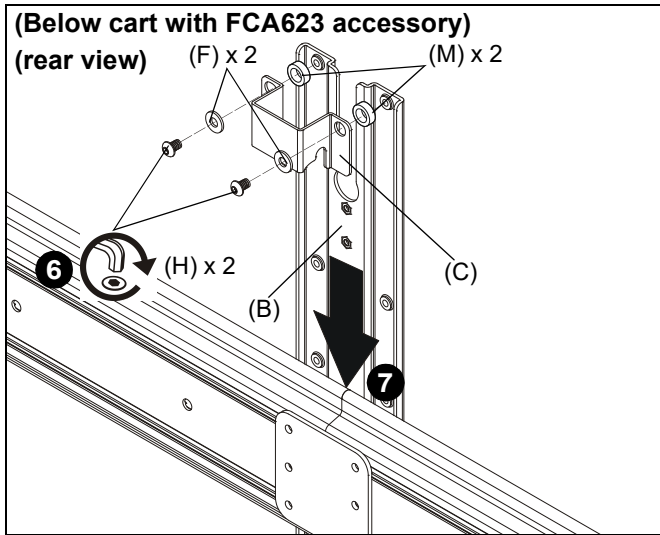


Figure 8

8. Slide second shelf bracket (C) underneath head assembly, lining up holes on shelf bracket (C) to holes on main bracket (B). (See Figure 9)
9. Slide two 1/2" spacers (M) in between shelf bracket (C) and main bracket (B). (See Figure 9)
10. Use two 1/4-20 x 7/16" button head cap screws (N) and two large washers (F) to secure shelf bracket (C) to main bracket (B). (See Figure 9)

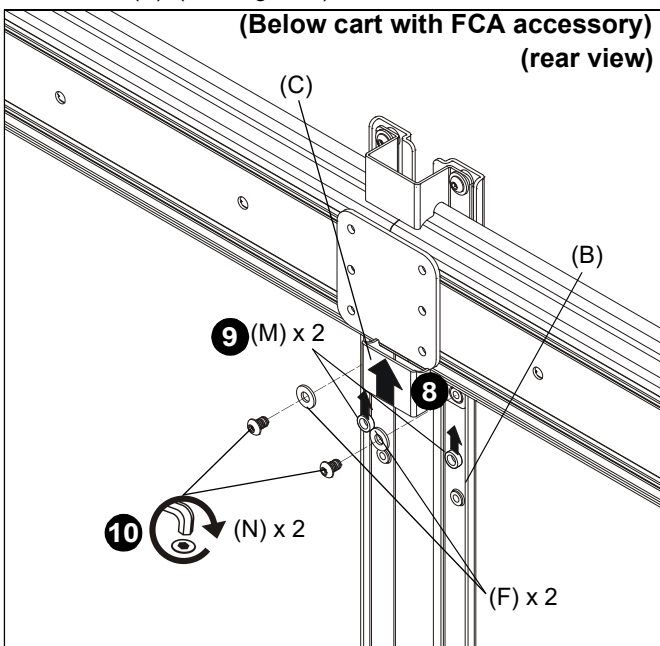


Figure 9

NOTE: Refer to Table 2 and dimension drawings on pages 3-4 to determine the extension level based on extension distance from mount center.

Table 2: Below Cart/Ceiling Mount

Extension distance from center of mount (in.)	
11.2-13.7	Minimum (FCA803)
13.7-15.6	Intermediate (FCA803)
15.6-18.2	Maximum (FCA803)
18.3-20.0	Minimum (FCA813)
20.0-26.7	Intermediate (FCA813)
26.7-30.0	Maximum (FCA813)

11. Use 1/4-20 x 5/8" hex head flange bolt (K) and center washer (E) to secure upright bracket (A) to main bracket (B). (See Figure 10)

NOTE: Maximum configuration is shown below. Several intermediate configurations are possible depending on which holes are used.

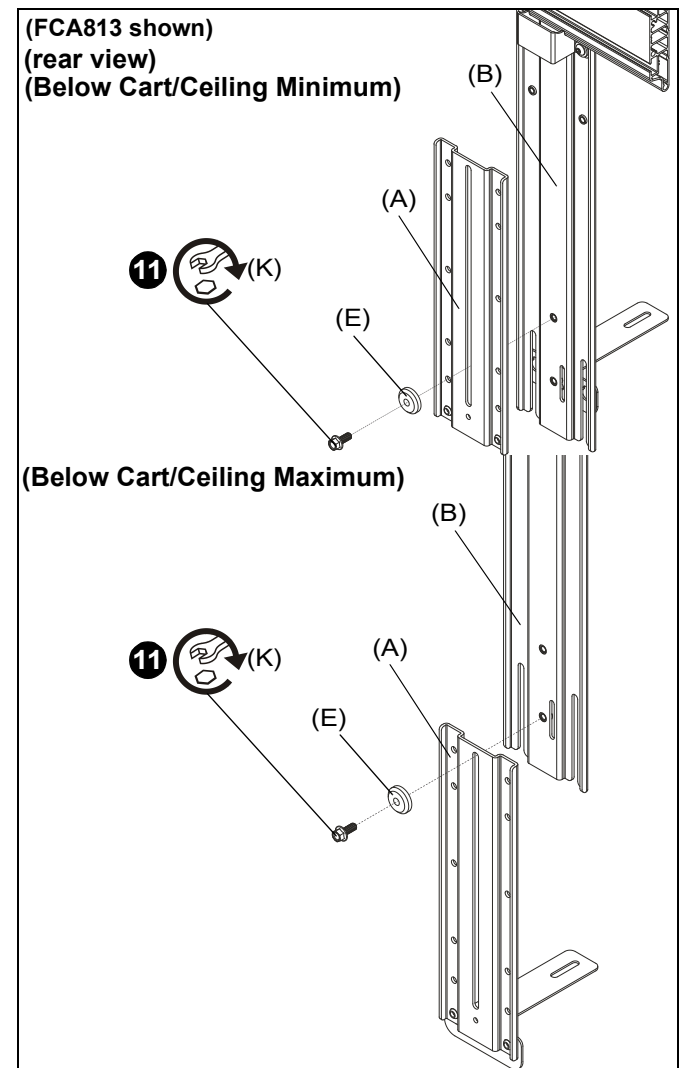


Figure 10

Above Installation

Assembling Shelf to Upright Bracket

1. Install two 1/4-20 x 1/2" button head cap screws (J) into lowest holes on upright bracket (A). (See Figure 11) or (See Figure 12)
2. Hang shelf (E) onto two screws installed in Step 1. (See Figure 11) or (See Figure 12)
3. Secure upright bracket (A) to shelf (E) using:
 - 1/4-20 x 1/4" button head cap screw (H) if installing to wall mount. (See Figure 11)
 - 1/4-20 x 1/2" button head cap screw (J) if installing to cart/ceiling mount. (See Figure 12)
4. Tighten all three screws to ensure shelf is secure.

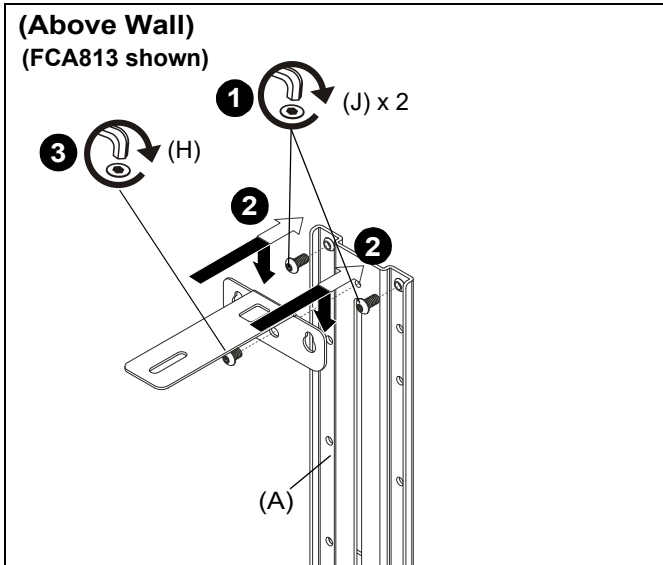


Figure 11

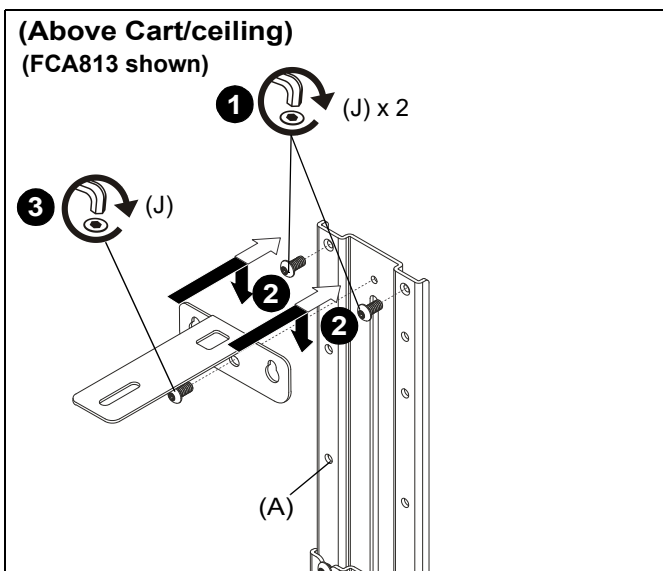


Figure 12

Attaching Shelf to Wall Mount

1. Use two 1/4-20 x 1/4" button head cap screws (H) and two large washers (F) to secure shelf bracket (C) to main bracket (B). (See Figure 13)



CAUTION: Slide bracket with caution so that the bracket does not scratch or damage the wall!

2. Slide main bracket (B) behind wall mount rails until shelf bracket (C) rests on top wall mount rail. (See Figure 13)

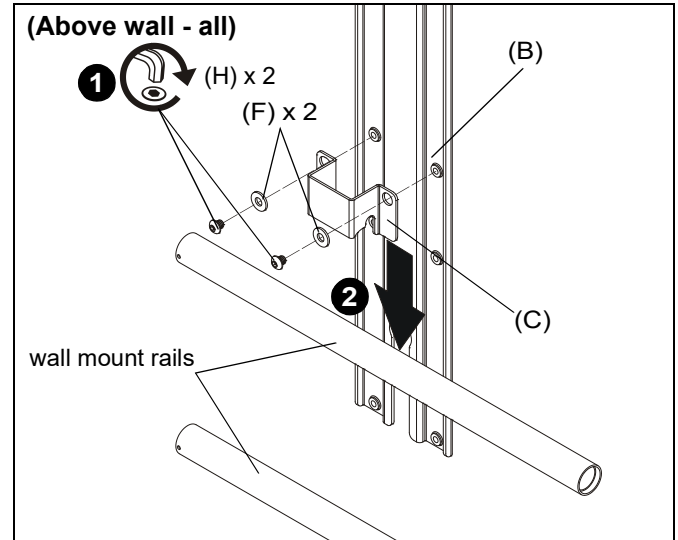


Figure 13

3. Slide second shelf bracket (C) underneath lower rail on wall mount, lining up holes on shelf bracket (C) to holes on main bracket (B). (See Figure 14)
4. Use two 1/4-20 x 1/4" button head cap screws (H) and two large washers (F) to secure shelf bracket (C) to main bracket (B). (See Figure 14)

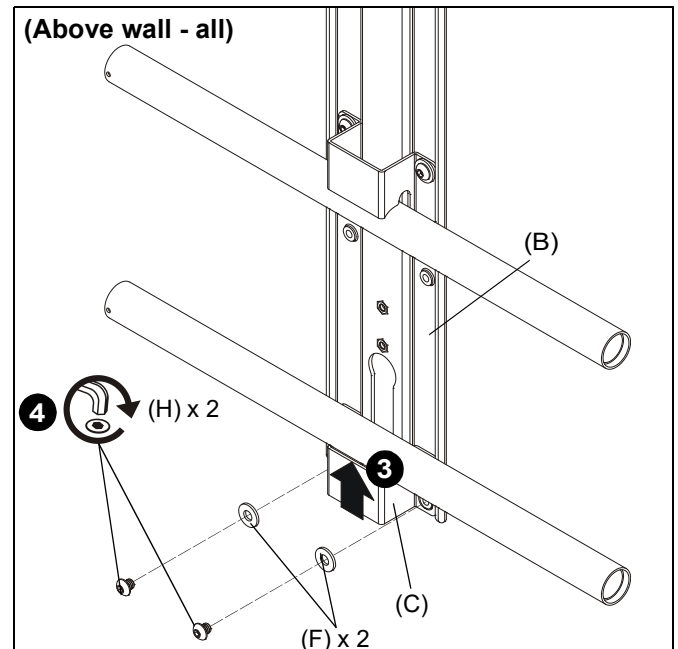


Figure 14

NOTE: Refer to Table 3 and dimension drawings on pages 3-4 to determine the extension level based on extension distance from mount center.

Table 3: Above Wall Mount

Extension distance from center of mount (in.)	
13.0-15.0	Minimum (FCA803)
15.0-17.5	Intermediate (FCA803)
17.5-19.0	Maximum (FCA803)
20.6-22.3	Minimum (FCA813)
22.3-27.9	Intermediate (FCA813)
27.9-29.4	Maximum (FCA813)

NOTE: Minimum and maximum configurations are shown below. Intermediate configuration is the same.

- Use 1/4-20 x 5/8" hex head flange bolt (K) and center washer (E) to secure upright bracket (A) to main bracket (B). (See Figure 15)

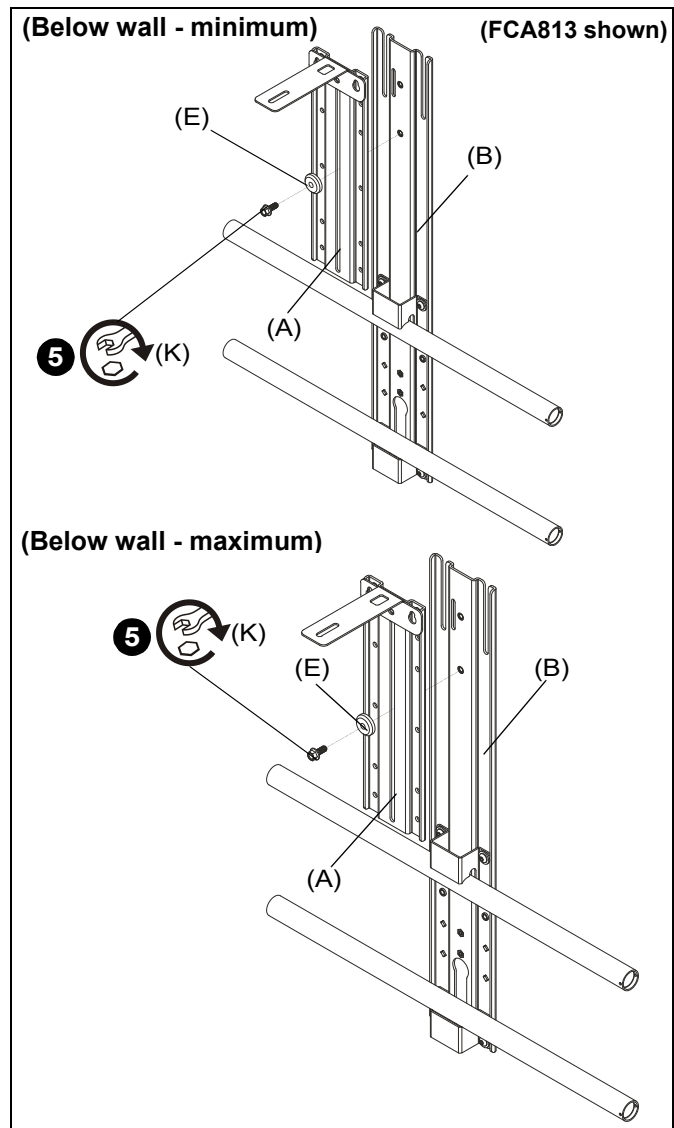


Figure 15

Attaching Shelf to Cart/Ceiling Mount

IMPORTANT ! : If installing to a 2x1 display cart using the FCA623 accessory, proceed to "Installing to FCA623 Accessory" Section (Step 6).

- Use two 1/4-20 x 1/4" button head cap screws (H) and two large washers (F) to secure shelf bracket (C) to main bracket (B). (See Figure 16)
- Slide main bracket (B) onto front of cart/ceiling mount head assembly until shelf bracket (C) rests on top of head assembly. (See Figure 16)

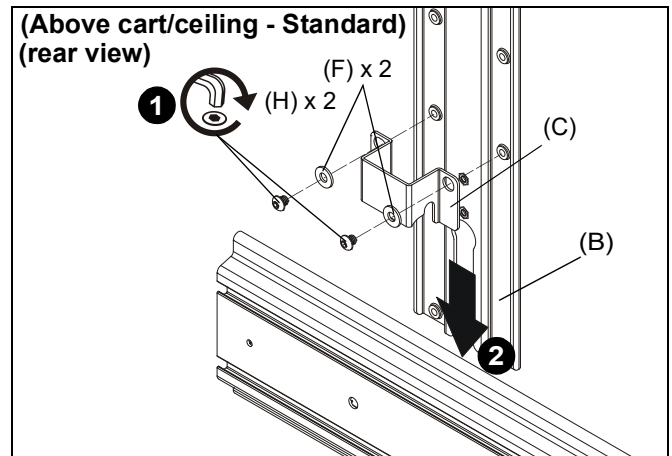


Figure 16

- Slide second shelf bracket (C) underneath head assembly, lining up holes on shelf bracket (C) to holes on main bracket (B). (See Figure 17)
- Use two 1/4-20 x 1/4" button head cap screws (H) and two large washers (F) to secure shelf bracket (C) to main bracket (B). (See Figure 17)

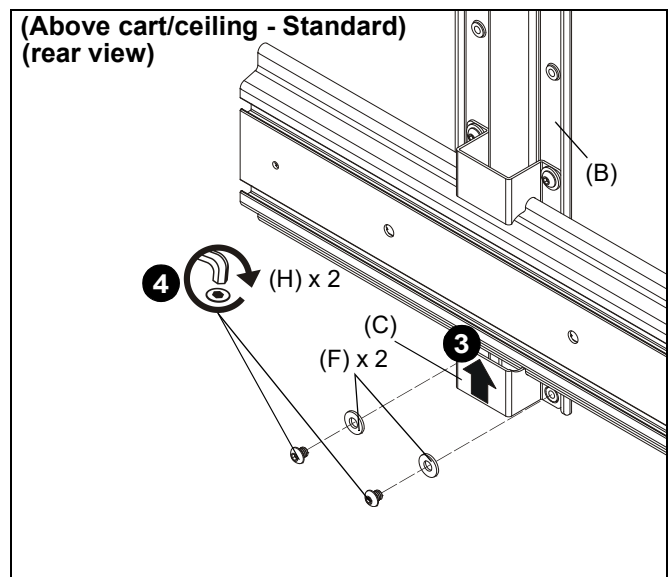


Figure 17

- Proceed to Step 11.

Installing to FCA623 Accessory

NOTE: Steps 6-10 only apply if installing to FCA623 accessory.

6. Use two 1/4-20 x 7/16" button head cap screws (N), two large washers (F) and two 1/2" spacers (M) to secure shelf bracket (C) to main bracket (B). (See Figure 18)
7. Slide main bracket (B) onto front of cart mount head assembly until shelf bracket (C) rests on top of head assembly. (See Figure 18)

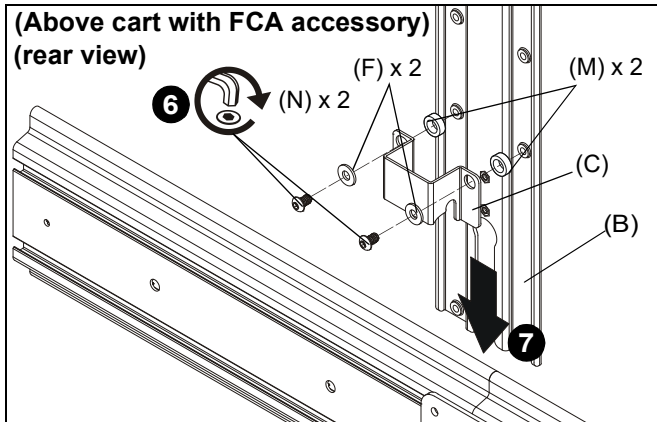


Figure 18

8. Slide second shelf bracket (C) underneath head assembly, lining up holes on shelf bracket (C) to holes on main bracket (B). (See Figure 19)
9. Slide two 1/2" spacers (M) in between shelf bracket (C) and main bracket (B). (See Figure 19)
10. Use two 1/4-20 x 1/2" button head cap screws (J) and two large washers (F) to secure shelf bracket (C) to main bracket (B). (See Figure 19)

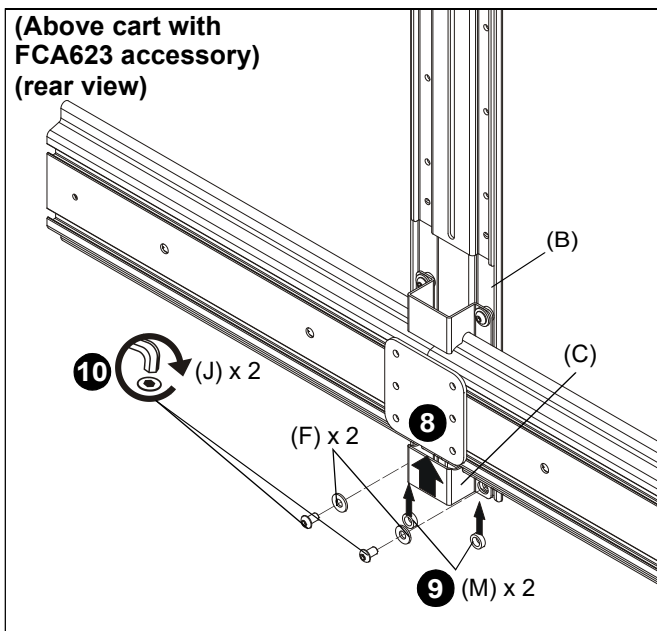


Figure 19

NOTE: Refer to Table 4 and dimension drawings on pages 3-4 to determine the extension level based on extension distance from mount center.

Table 4: Above Cart/Ceiling

Extension distance from center of mount (in.)	
12.2-14.2	Minimum (FCA803)
14.2-16.7	Intermediate (FCA803)
16.7-19.2	Maximum (FCA803)
22.7-24.2	Minimum (FCA813)
24.2-28.0	Intermediate (FCA813)
28.0-31.0	Maximum (FCA813)

NOTE: Maximum and minimum configurations are shown below. Several intermediate configurations are possible depending on which holes are used.

11. Use 1/4-20 x 5/8" hex head flange bolt (K) and center washer (E) to secure upright bracket (A) to main bracket (B). (See Figure 20) or (See Figure 21)
12. (For maximum/intermediate extension ONLY) Use two 1/4-20 x 1/2" button head cap screws (J) to secure upright bracket (A) to main bracket (B). (See Figure 20)

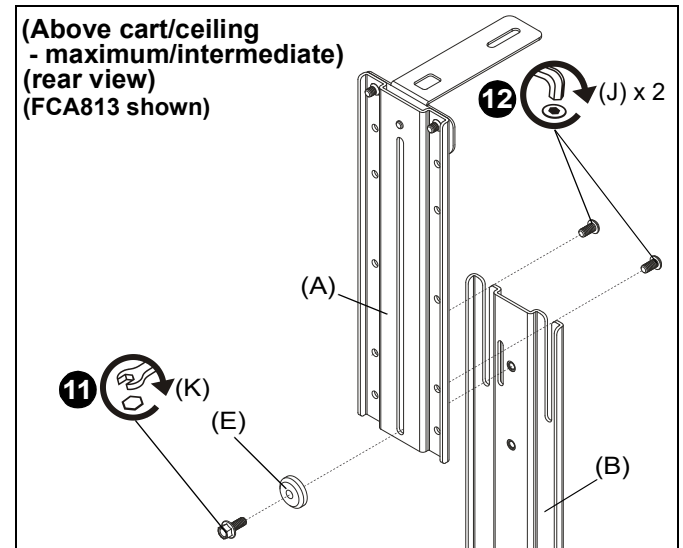


Figure 20

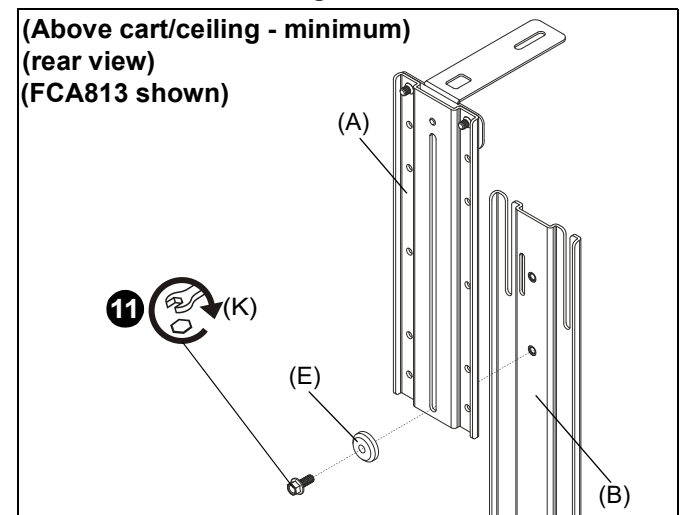


Figure 21

Height Adjustment

1. Loosen hardware used to attach main bracket (B) to upright bracket (A). (See Figure 22)
2. Adjust shelf height as desired. (See Figure 22)

NOTE: For all above display installations, it is recommended that the shelf be positioned so that it rests on top of display to help ensure an even mount.

3. Tighten hardware used to attached main bracket (B) to upright bracket (A). (See Figure 22)

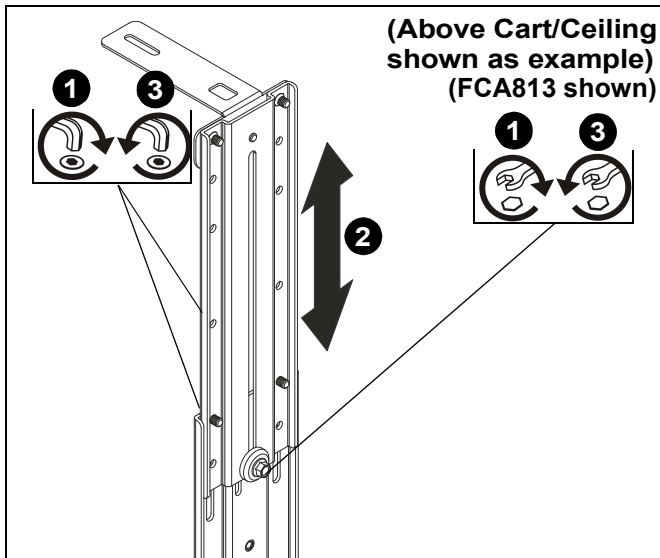


Figure 22

Installing Camera (not included)



WARNING: Exceeding the weight capacity can result in serious personal injury or damage to equipment! It is the installer's responsibility to make sure the combined weight mounted on the FCA803/813 does not exceed 2 lbs (0.9 kg).

NOTE: Screw mounting options will vary based upon camera model.

1. Install 1/4-20 x 3/8" Phillips pan machine screw (L) through mounting slot on shelf and into hole on bottom of camera. (See Figure 23)
2. Route cable from camera towards back of shelf and down behind the FCA803/813. (See Figure 23)

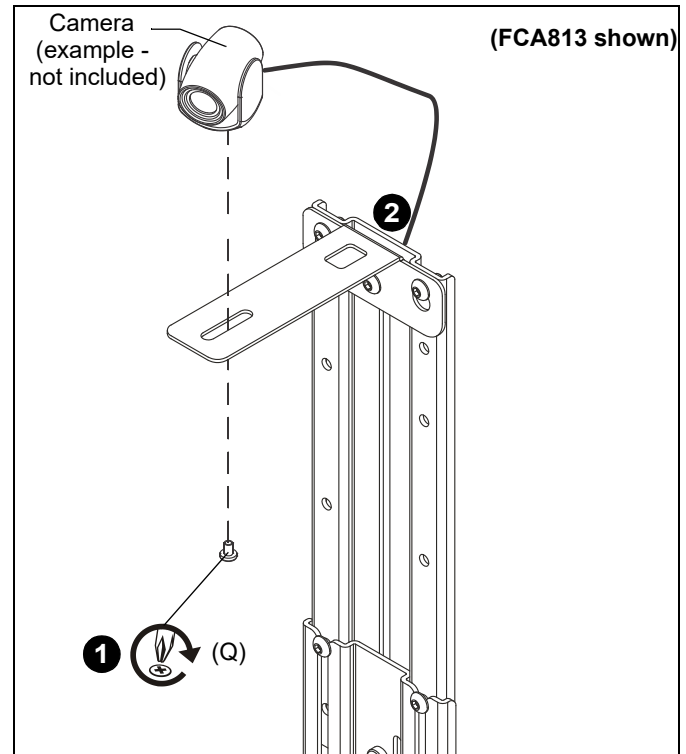


Figure 23



Our Mounts. **Your Vision.**

Chief, a products division of
Milestone AV Technologies

8800-003090 Rev00
©2018 Milestone AV Technologies
www.milestone.com
10/18

USA/International	A 6436 City West Parkway, Eden Prairie, MN 55344 P 800.582.6480 / 952.225.6000 F 877.894.6918 / 952.894.6918
Europe	A Franklinstraat 14, 6003 DK Weert, Netherlands P +31 (0) 495 580 852 F +31 (0) 495 580 845
Asia Pacific	A Office No. 918 on 9/F, Shatin Galleria 18-24 Shan Mei Street Fotan, Shatin, Hong Kong P 852 2145 4099 F 852 2145 4477

