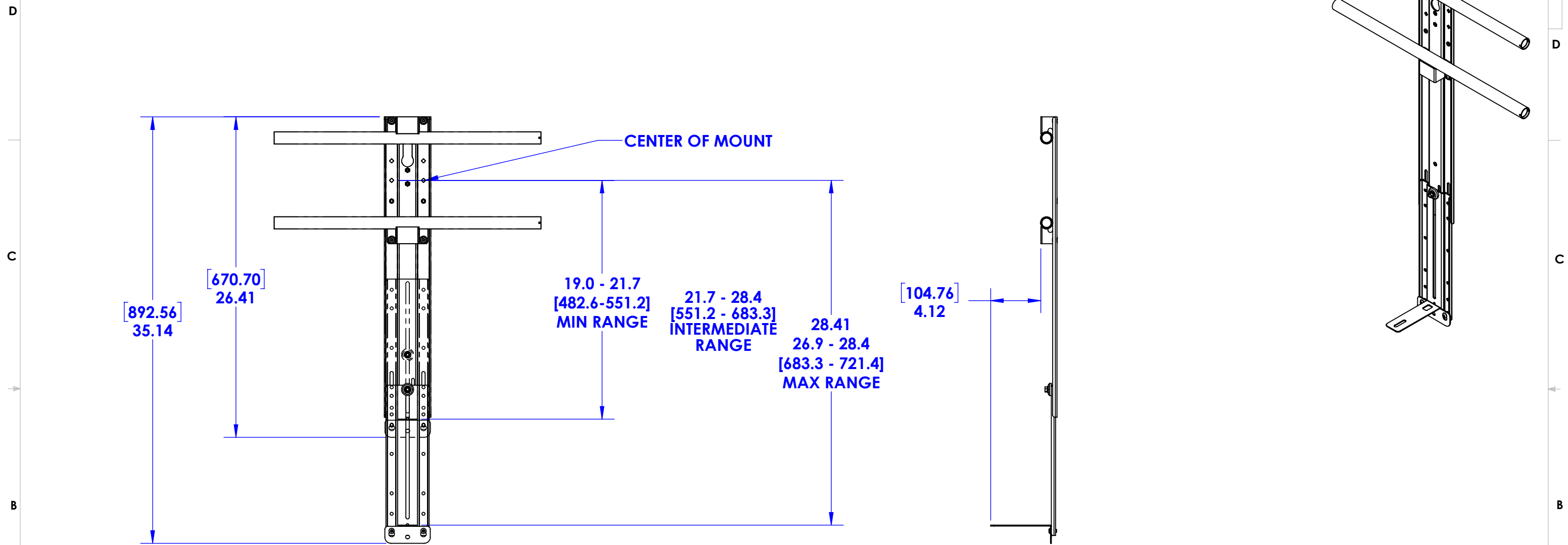


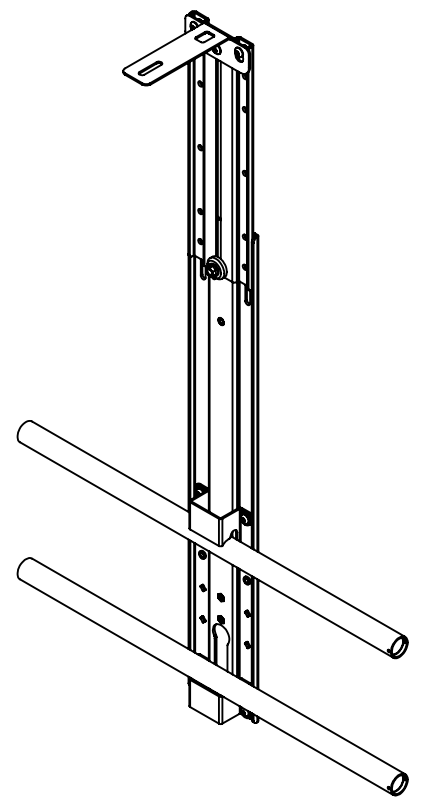
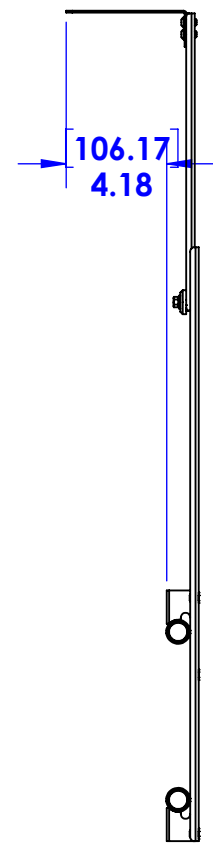
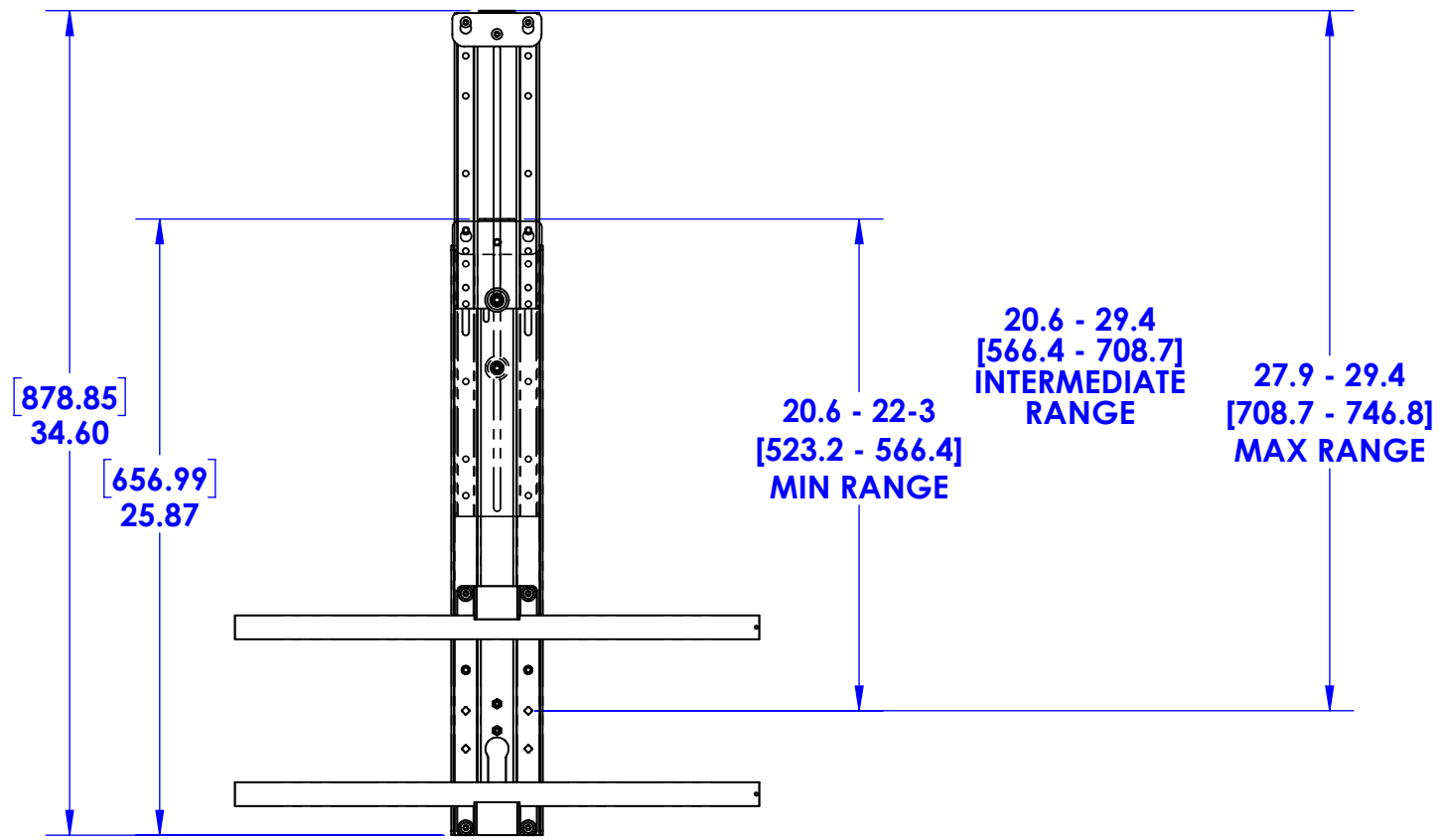
FUSION WALL BELOW MOUNT SETUP



THE INFORMATION AND DESIGNS CONTAINED IN THIS DRAWING ARE CONFIDENTIAL AND THE PROPRIETARY PROPERTY OF MILESTONE AV TECHNOLOGIES NEITHER THIS DESIGN NOR ANY INFORMATION CONTAINED IN THIS DRAWING MAY BE REPRODUCED OR DISCLOSED TO OTHERS WITHOUT THE EXPRESS WRITTEN CONSENT OF MILESTONE AV TECHNOLOGIES.

CAD GENERATED DRAWING, DO NOT MANUALLY UPDATE.			6436 CITY WEST PKWY EDEN PRAIRIE MN, 55344 PHONE: 866-977-3901 FAX: 877-894-6918
DRAWN BY	PJO	7/25/2018	
ENG APPROVAL			DESCRIPTION FUSION L ABOVE/BELOW SHELF SMALL
MFG APPROVAL			MODEL NO. FCA813
QA APPROVAL			SIZE DWG. NO. B TECH-000936
SHEET 1 OF 4		SCALE 1:8	REV. 00

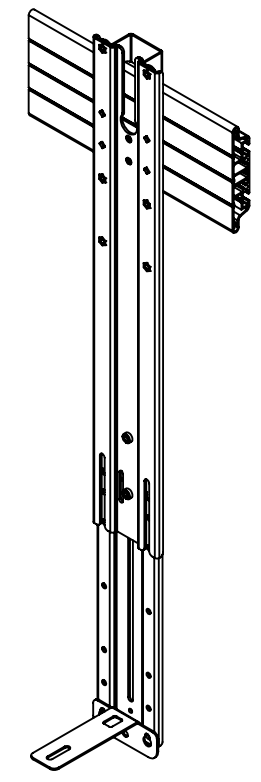
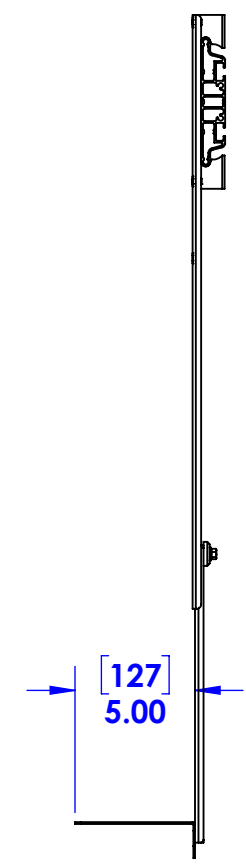
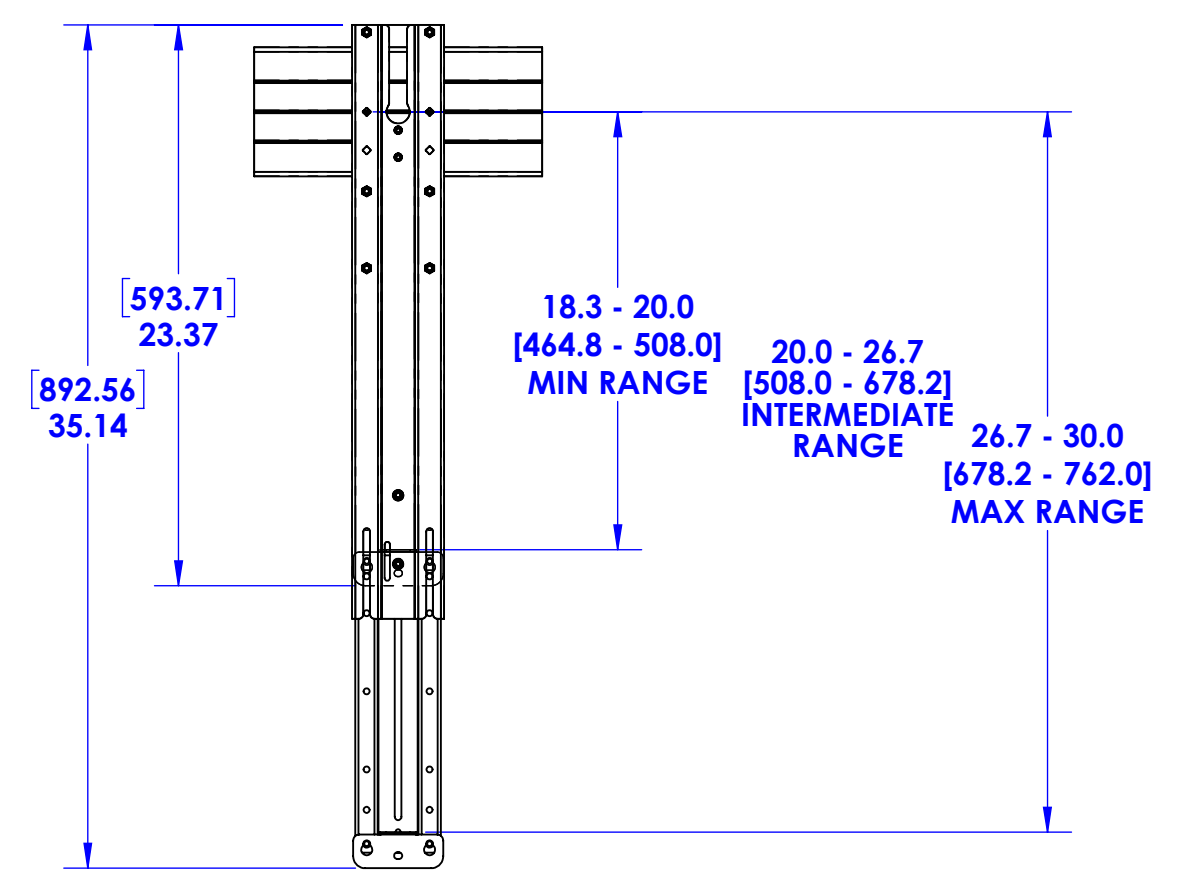
FUSION WALL ABOVE MOUNT SETUP



THE INFORMATION AND DESIGNS CONTAINED IN THIS DRAWING ARE CONFIDENTIAL AND THE PROPRIETARY PROPERTY OF MILESTONE AV TECHNOLOGIES NEITHER THIS DESIGN NOR ANY INFORMATION CONTAINED IN THIS DRAWING MAY BE REPRODUCED OR DISCLOSED TO OTHERS WITHOUT THE EXPRESS WRITTEN CONSENT OF MILESTONE AV TECHNOLOGIES.

CAD GENERATED DRAWING, DO NOT MANUALLY UPDATE.			6436 CITY WEST PKWY EDEN PRAIRIE MN, 55344 PHONE: 866-977-3901 FAX: 877-894-6918
DRAWN BY	PJO	7/25/2018	
ENG APPROVAL			DESCRIPTION
MFG APPROVAL			FUSION L ABOVE/BELOW SHELF SMALL
QA APPROVAL			MODEL NO.
SHEET 2 OF 4			FCA813
SCALE	1:8	SIZE	DWG. NO.
		B	TECH-000936
			REV.
			00

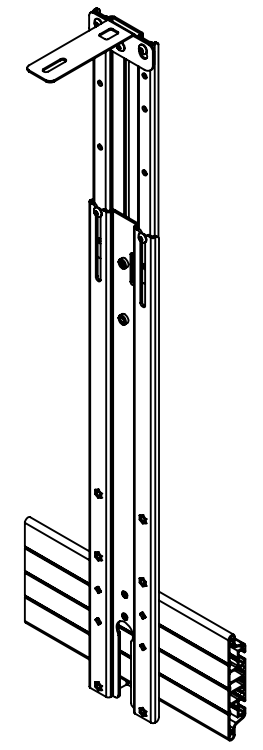
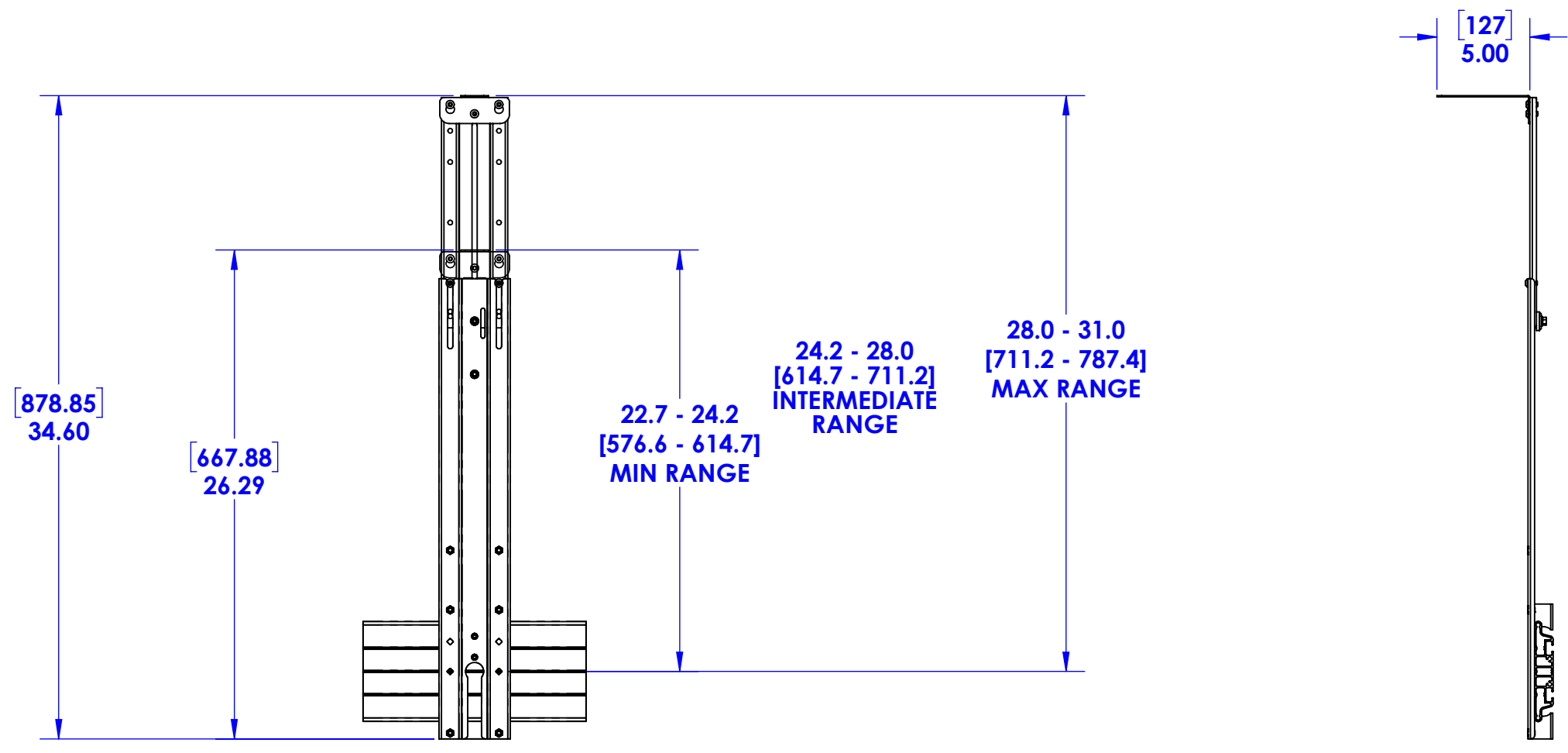
FUSION CEILING/CART BELOW MOUNT SETUP



THE INFORMATION AND DESIGNS CONTAINED IN THIS DRAWING ARE CONFIDENTIAL AND THE PROPRIETARY PROPERTY OF MILESTONE AV TECHNOLOGIES NEITHER THIS DESIGN NOR ANY INFORMATION CONTAINED IN THIS DRAWING MAY BE REPRODUCED OR DISCLOSED TO OTHERS WITHOUT THE EXPRESS WRITTEN CONSENT OF MILESTONE AV TECHNOLOGIES.

CAD GENERATED DRAWING, DO NOT MANUALLY UPDATE.			6436 CITY WEST PKWY EDEN PRAIRIE MN, 55344 PHONE: 866-977-3901 FAX: 877-894-6918
DRAWN BY	PJO	7/25/2018	
ENG APPROVAL			DESCRIPTION
MFG APPROVAL			FUSION L ABOVE/BELOW SHELF SMALL
QA APPROVAL			MODEL NO.
SHEET 3 OF 4			FCA813
SCALE	1:8	SIZE	DWG. NO.
		B	TECH-000936
			REV.
			00

FUSION CEILING/CART ABOVE MOUNT SETUP



THE INFORMATION AND DESIGNS CONTAINED IN THIS DRAWING ARE CONFIDENTIAL AND THE PROPRIETARY PROPERTY OF MILESTONE AV TECHNOLOGIES NEITHER THIS DESIGN NOR ANY INFORMATION CONTAINED IN THIS DRAWING MAY BE REPRODUCED OR DISCLOSED TO OTHERS WITHOUT THE EXPRESS WRITTEN CONSENT OF MILESTONE AV TECHNOLOGIES.

CAD GENERATED DRAWING, DO NOT MANUALLY UPDATE.				6436 CITY WEST PKWY EDEN PRAIRIE MN, 55344 PHONE: 866-977-3901 FAX: 877-894-6918	
DRAWN BY	PJO	7/25/2018		DESCRIPTION FUSION L ABOVE/BELOW SHELF SMALL	
ENG APPROVAL			MODEL NO. FCA813		
MFG APPROVAL			REV. 00		
QA APPROVAL			SCALE 1:8		
SHEET 4 OF 4		SIZE B	DWG. NO. TECH-000936		