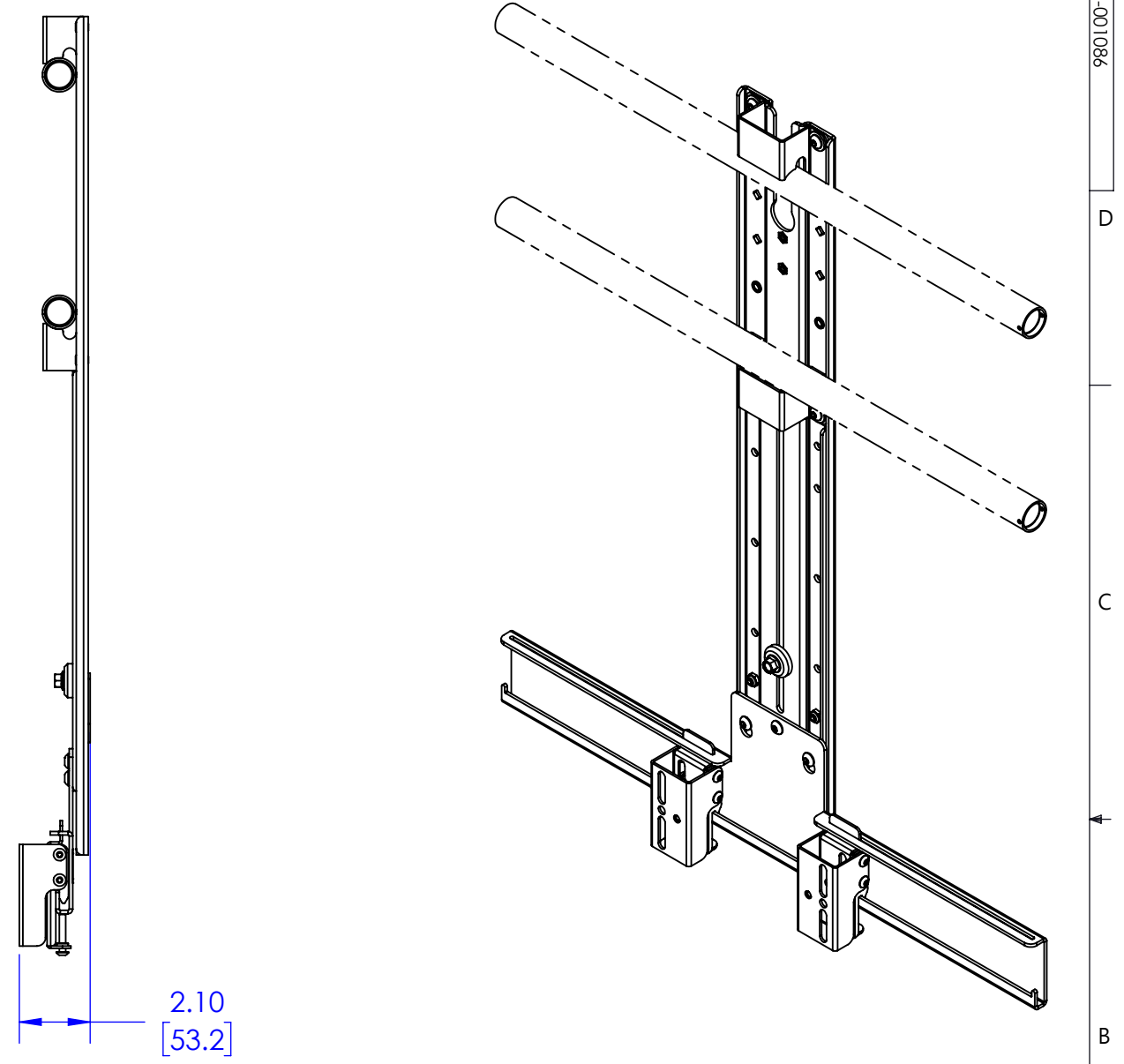
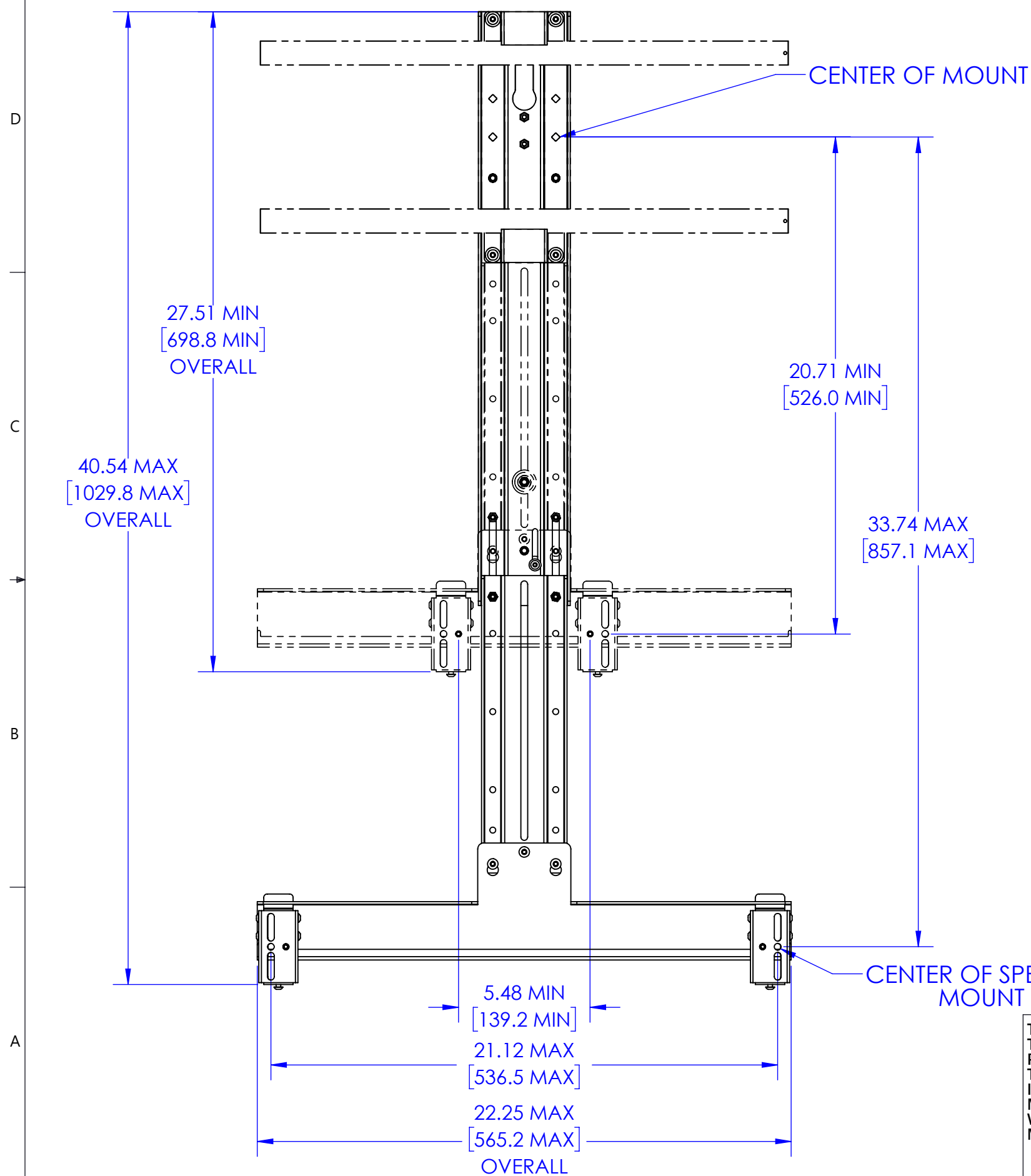


FUSION WALL MOUNT SETUP

STATUS: JL 09/14/2020 - RELEASED ON ECO: 500022439

TECH-001086



(*)NOTES:

- TYPICAL FUSION INTERFACES ARE 0.5" [15.9] DEEP

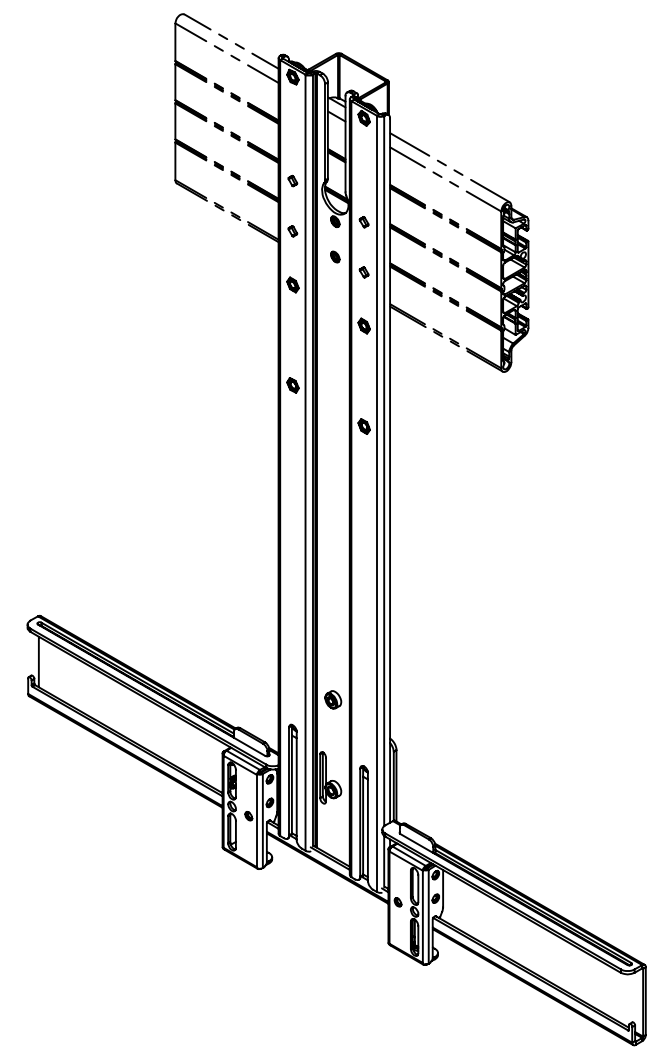
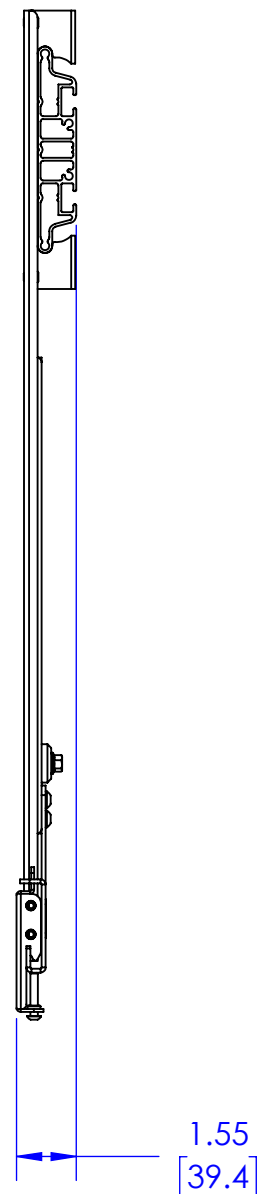
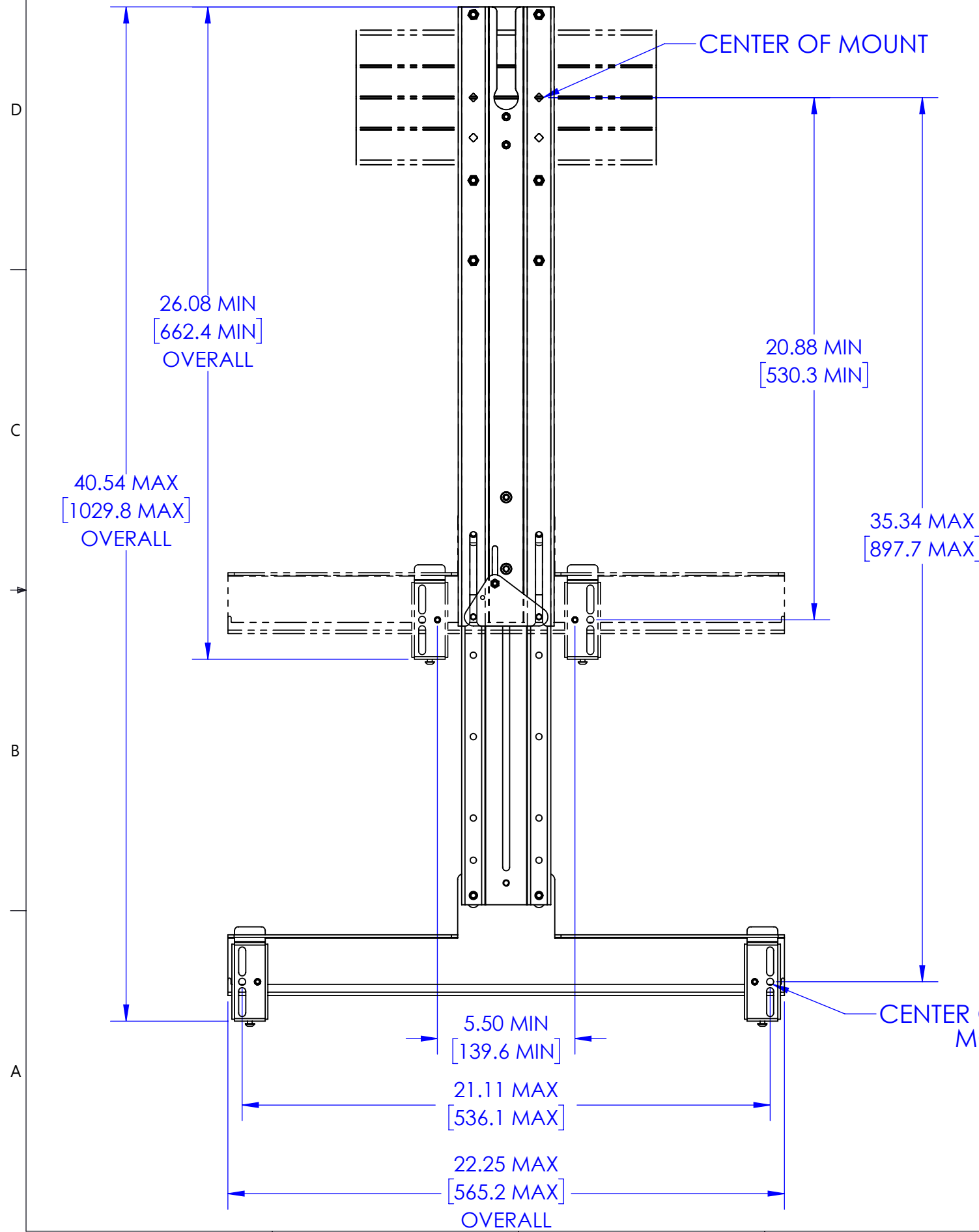
THE INFORMATION AND DESIGNS CONTAINED IN THIS DRAWING ARE CONFIDENTIAL AND THE PROPRIETARY PROPERTY OF MILESTONE AV TECHNOLOGIES NEITHER THIS DESIGN NOR ANY INFORMATION CONTAINED IN THIS DRAWING MAY BE REPRODUCED OR DISCLOSED TO OTHERS WITHOUT THE EXPRESS WRITTEN CONSENT OF MILESTONE AV TECHNOLOGIES.

CAD GENERATED DRAWING, DO NOT MANUALLY UPDATE.					6436 CITY WEST PKWY EDEN PRAIRIE MN, 55344 PHONE: 866-977-3901 FAX: 877-894-6918	
DRAWN BY	JL	7/30/2020	DESCRIPTION			
ENG APPROVAL			FCA842 FUSION CENTER SPEAKER ADAPTOR, XL			
MFG APPROVAL			MODEL NO.			
QA APPROVAL			FCA842			
SHEET 1 OF 2		SCALE	SIZE	DWG. NO.	REV.	
		1:5	B	TECH-001086	00	

FUSION CEILING/CART MOUNT SETUP

STATUS: JL 09/14/2020 - RELEASED ON ECO: 500022439

TECH-001086



(*)NOTES:

- TYPICAL SINGLE DISPLAY MODELS HAVE INTERFACE DEPTHS .5" [12.7]
- TYPICAL DUAL DISPLAY MODELS HAVE INTERFACE DEPTHS 1.9" [48.3]
- FCA623 DUAL MONITOR INTERFACES ARE 1.4" DEEP [35.6]

THE INFORMATION AND DESIGNS CONTAINED IN THIS DRAWING ARE CONFIDENTIAL AND THE PROPRIETARY PROPERTY OF MILESTONE AV TECHNOLOGIES NEITHER THIS DESIGN NOR ANY INFORMATION CONTAINED IN THIS DRAWING MAY BE REPRODUCED OR DISCLOSED TO OTHERS WITHOUT THE EXPRESS WRITTEN CONSENT OF MILESTONE AV TECHNOLOGIES.

CAD GENERATED DRAWING, DO NOT MANUALLY UPDATE.			CHIEF		6436 CITY WEST PKWY EDEN PRAIRIE MN, 55344 PHONE: 866-977-3901 FAX: 877-894-6918
DRAWN BY	JL	7/30/2020	DESCRIPTION FCA842 FUSION CENTER SPEAKER ADAPTOR, XL		
ENG APPROVAL			MODEL NO. FCA842		
MFG APPROVAL			SIZE DWG. NO. B TECH-001086		
QA APPROVAL			REV. 00		
SHEET 2 OF 2		SCALE 1:5			