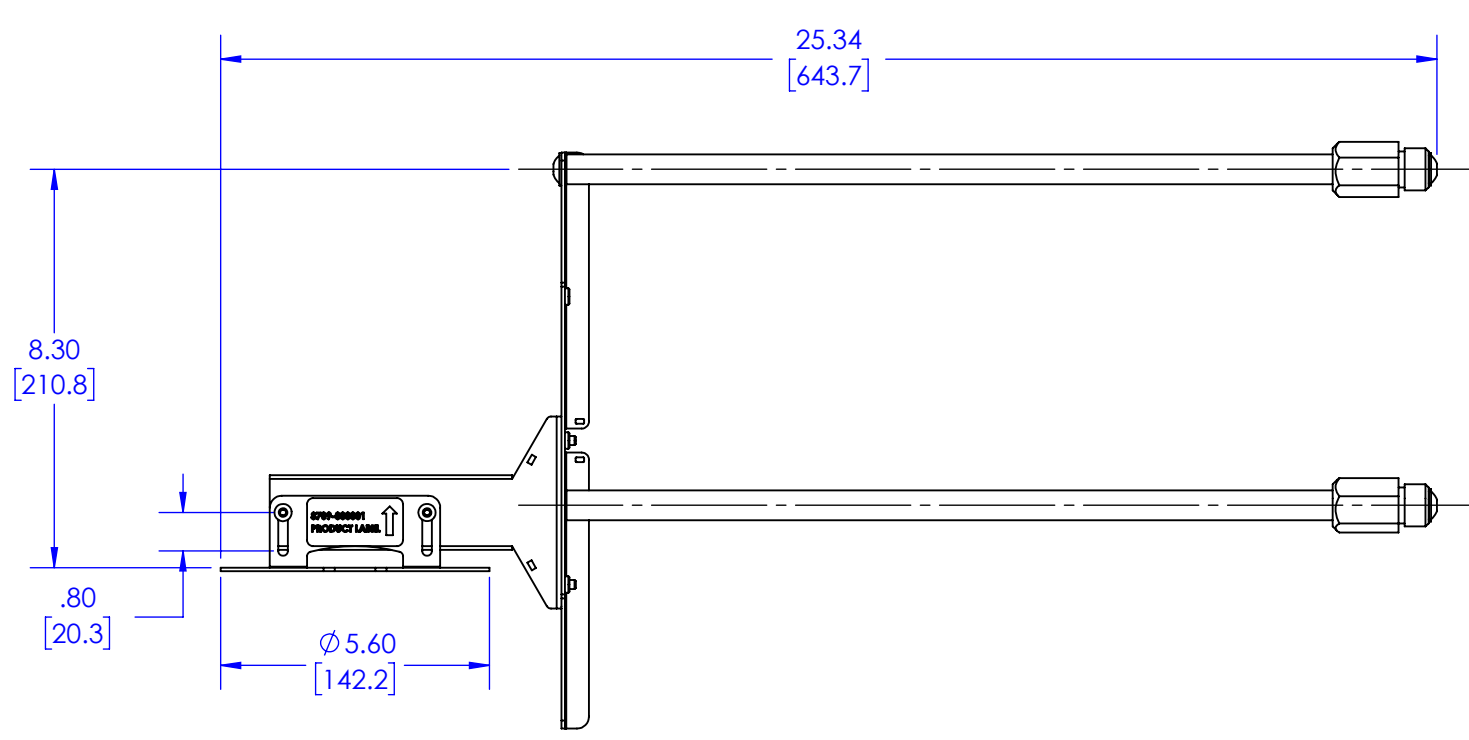
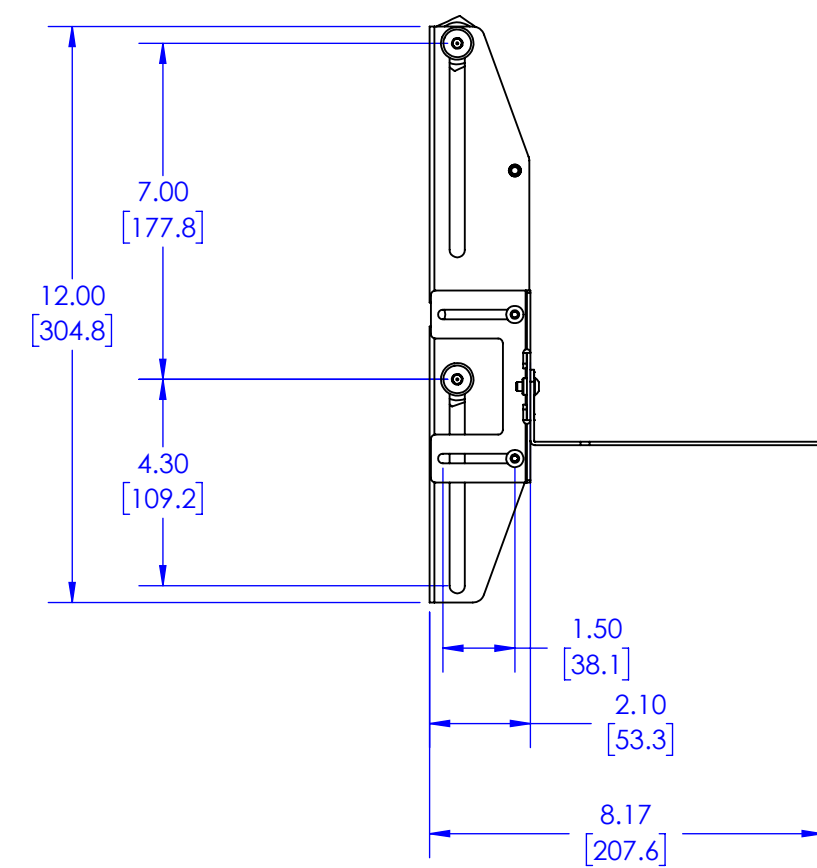


FOR USE WITH
DISPLAY WIDTH RANGING FROM
44.8" - 72.8" [1138mm - 1849mm]
WHEN USING LARGE FUSION WALL MOUNTS

FOR USE WITH
DISPLAY WIDTH RANGING FROM
36.8" - 66.8" [935mm - 1696mm]
WHEN USING LARGE FUSION WALL MOUNTS

FOR USE WITH
DISPLAY WIDTH RANGING FROM
34.4" - 57.8" [874mm - 1468mm]
WHEN USING MEDIUM FUSION WALL MOUNTS



THE INFORMATION AND DESIGNS CONTAINED IN THIS DRAWING ARE CONFIDENTIAL AND THE PROPRIETARY PROPERTY OF LEGRAND | AV. NEITHER THIS DESIGN NOR ANY INFORMATION CONTAINED IN THIS DRAWING MAY BE REPRODUCED OR DISCLOSED TO OTHERS WITHOUT THE EXPRESS WRITTEN CONSENT OF LEGRAND | AV.

CAD GENERATED DRAWING, DO NOT MANUALLY UPDATE.						6436 CITY WEST PKWY EDEN PRAIRIE, MN, 55344 PHONE: 866-977-3901 FAX: 877-894-6918	
DRAWN BY	PJO	3/3/2020	DESCRIPTION		CUSTOMER PRINT FCA850		
ENG APPROVAL			MODEL NO.		FCA850		
MFG APPROVAL			SIZE	DWG. NO.	REV.		
QA APPROVAL			SHEET 1 OF 1	SCALE 1:4	B	TECH-001051	00