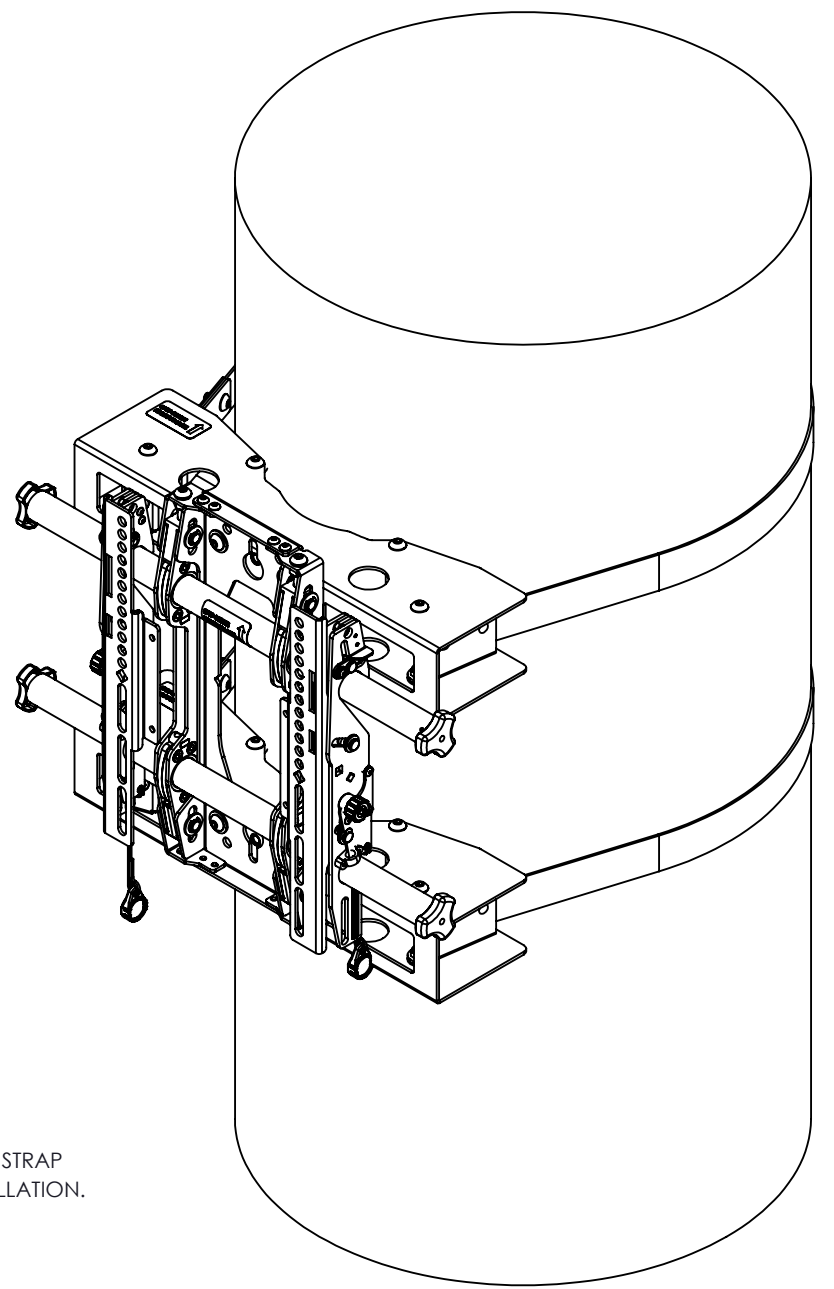
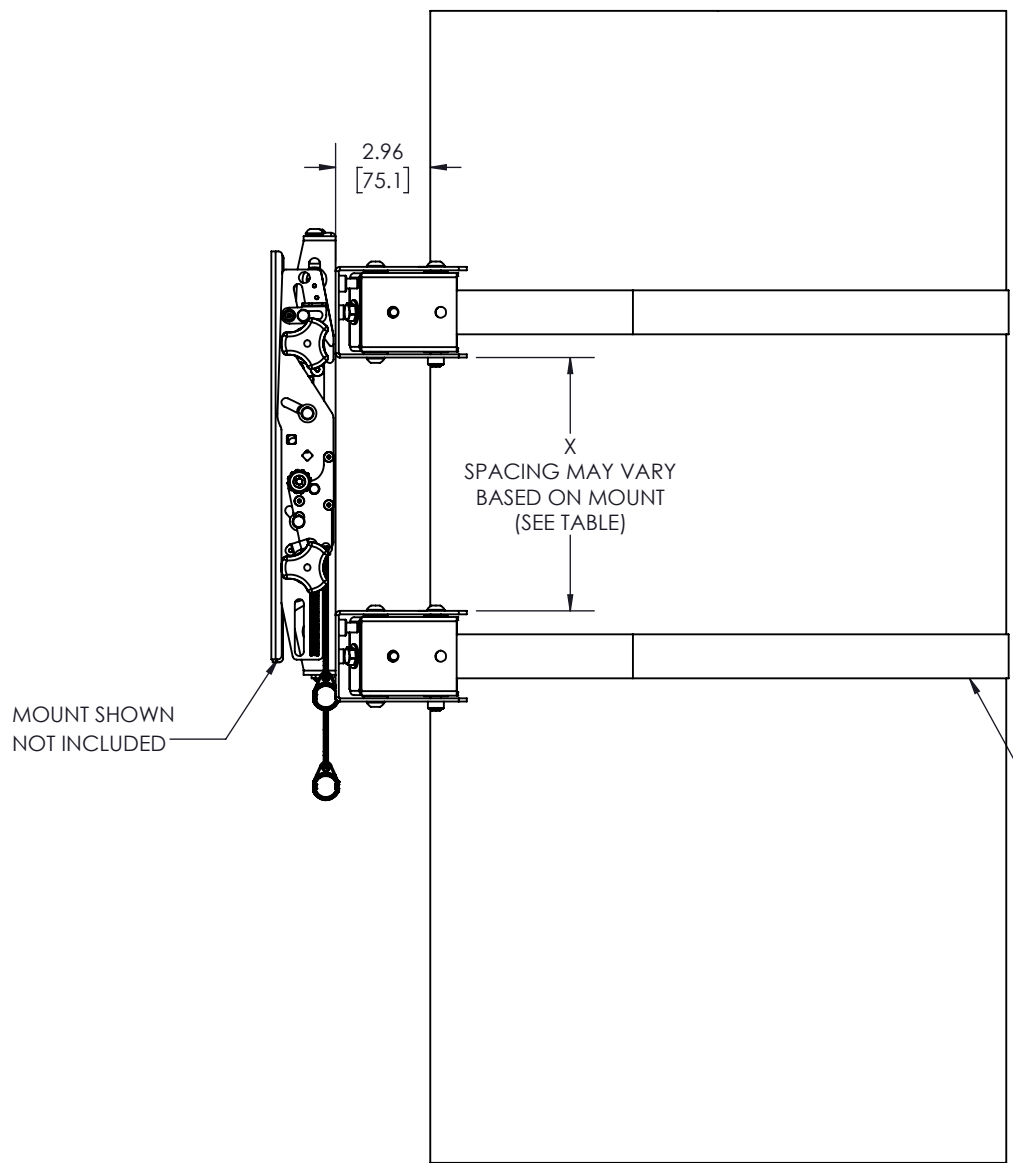
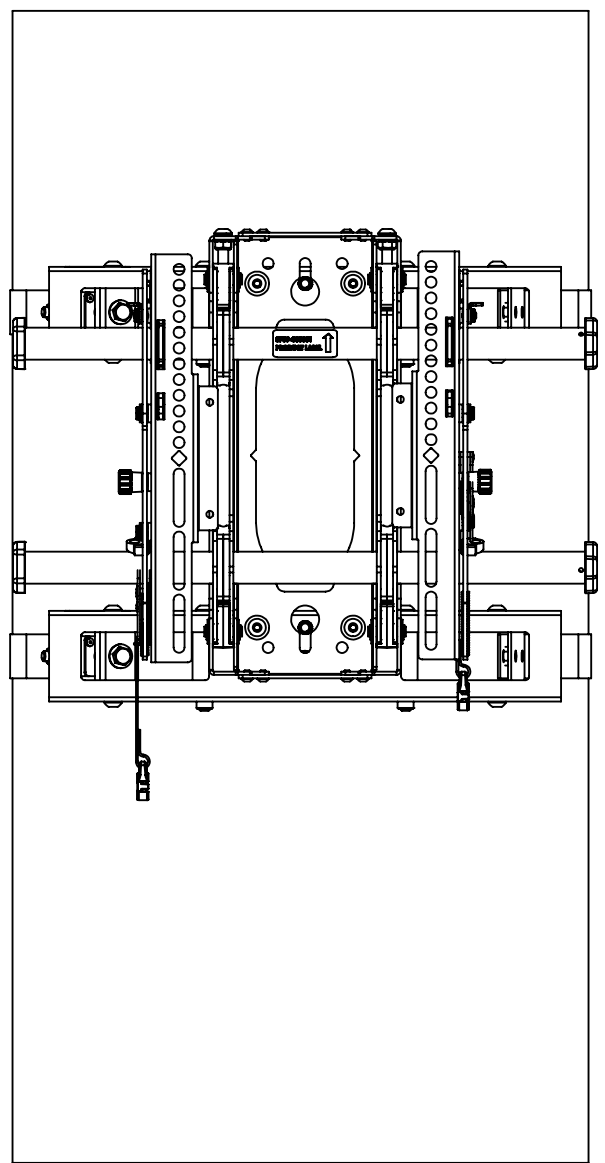


THE INFORMATION AND DESIGNS CONTAINED IN THIS DRAWING ARE CONFIDENTIAL AND THE PROPRIETARY PROPERTY OF MILESTONE AV TECHNOLOGIES NEITHER THIS DESIGN NOR ANY INFORMATION CONTAINED IN THIS DRAWING MAY BE REPRODUCED OR DISCLOSED TO OTHERS WITHOUT THE EXPRESS WRITTEN CONSENT OF MILESTONE AV TECHNOLOGIES.

CAD GENERATED DRAWING, DO NOT MANUALLY UPDATE.		6436 CITY WEST PKWY EDEN PRAIRIE MN, 55344 PHONE: 866-977-3901 FAX: 877-894-6918
DRAWN BY	JL 12/20/2018	
ENG APPROVAL		DESCRIPTION FCASCA TECH DRAWING
MFG APPROVAL		MODEL NO. FCASCA
QA APPROVAL		SIZE DWG. NO. REV. B tech-000968 00
SHEET 1 OF 2		SCALE 1:3.5

MOUNT STYLE	LENGTH (X)
MTMS1U	7.92"
MTMP1U	13.17"
TS118SU	1.99"
TS218SU	5.17"
TS318SU	9.50"
FMSWM	11.17"



THE INFORMATION AND DESIGNS CONTAINED IN THIS DRAWING ARE CONFIDENTIAL AND THE PROPRIETARY PROPERTY OF MILESTONE AV TECHNOLOGIES NEITHER THIS DESIGN NOR ANY INFORMATION CONTAINED IN THIS DRAWING MAY BE REPRODUCED OR DISCLOSED TO OTHERS WITHOUT THE EXPRESS WRITTEN CONSENT OF MILESTONE AV TECHNOLOGIES.

CAD GENERATED DRAWING, DO NOT MANUALLY UPDATE.				6436 CITY WEST PKWY EDEN PRAIRIE MN, 55344 PHONE: 866-977-3901 FAX: 877-894-6918	
DRAWN BY	JL	12/20/2018		DESCRIPTION FCASCA TECH DRAWING	
ENG APPROVAL			MODEL NO. FCASCA		
MFG APPROVAL			SIZE	DWG. NO.	REV.
QA APPROVAL			B	tech-000968	00
SHEET 2 OF 2			SCALE		
			1:6		