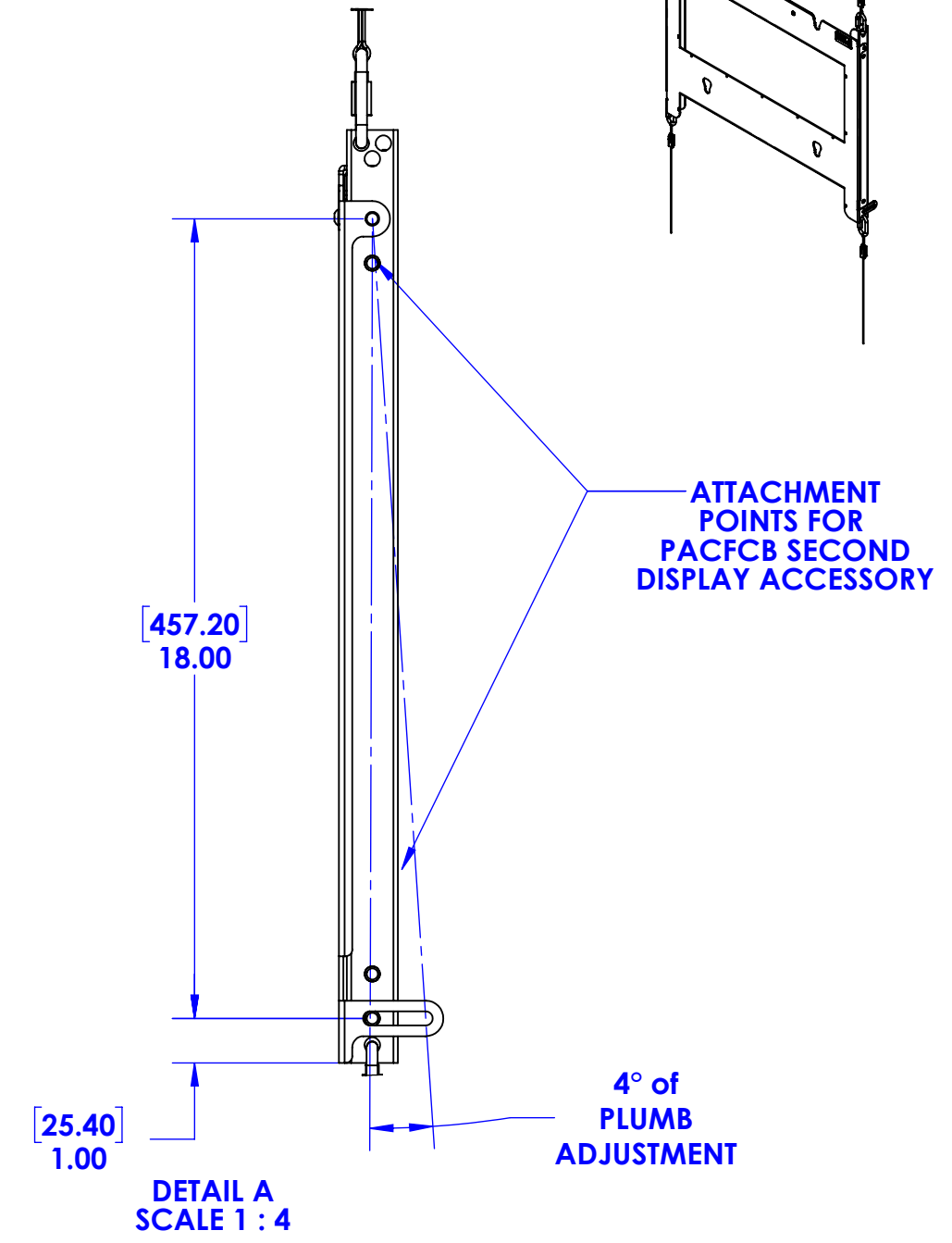
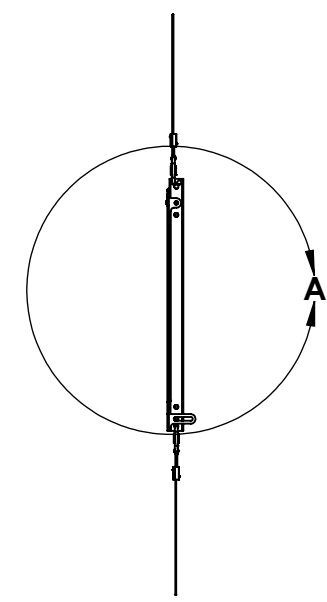


FOR USE WITH PSBUB INCLUDED. SEE INSTALLATION MANUAL AND CUSTOMER PRINT FOR THE PSBUB DETAILS



DETAIL A SCALE 1 : 4

THE INFORMATION AND DESIGNS CONTAINED IN THIS DRAWING ARE CONFIDENTIAL AND THE PROPRIETARY PROPERTY OF MILESTONE AV TECHNOLOGIES NEITHER THIS DESIGN NOR ANY INFORMATION CONTAINED IN THIS DRAWING MAY BE REPRODUCED OR DISCLOSED TO OTHERS WITHOUT THE EXPRESS WRITTEN CONSENT OF MILESTONE AV TECHNOLOGIES.

CAD GENERATED DRAWING, DO NOT MANUALLY UPDATE.		6436 CITY WEST PKWY EDEN PRAIRIE MN, 55344 PHONE: 866-977-3901 FAX: 877-894-6918	
DRAWN BY	PJO	2/12/2019	DESCRIPTION
ENG APPROVAL			CUSTOMER PRINT FCS1U
MFG APPROVAL			MODEL NO.
QA APPROVAL			FCS1U
SHEET 1 OF 1		SCALE	SIZE DWG. NO.
		1:16	B TECH-000975
			REV. 00