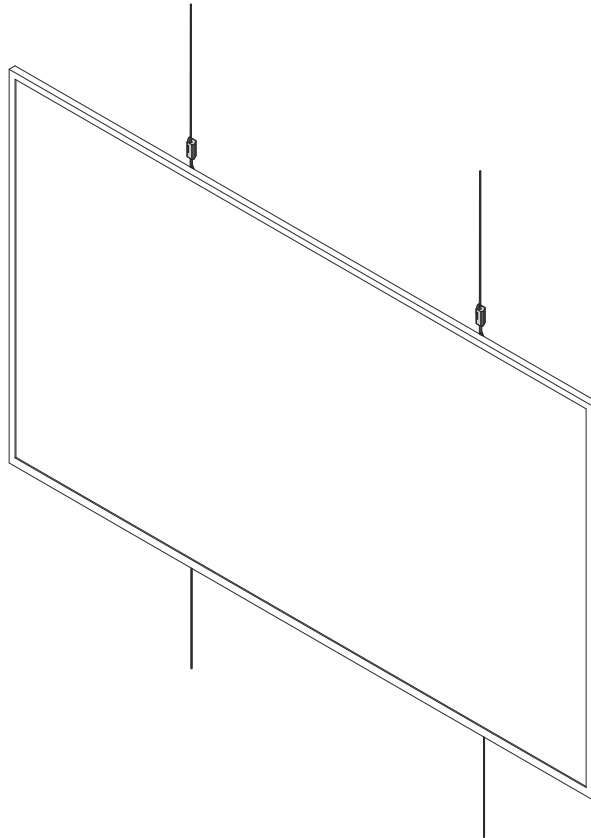

INSTALLATION INSTRUCTIONS



Floor to Ceiling Cable Mount

 **CHIEF**[®]

A brand of  **legrand**[®]

FCS1U

DISCLAIMER

Legrand | AV and its affiliated corporations and subsidiaries (collectively "Legrand | AV"), intend to make this manual accurate and complete. However, Legrand | AV makes no claim that the information contained herein covers all details, conditions or variations, nor does it provide for every possible contingency in connection with the installation or use of this product. The information contained in this document is subject to change without notice or obligation of any kind. Legrand | AV makes no representation of warranty, expressed or implied, regarding the information contained herein. Legrand | AV assumes no responsibility for accuracy, completeness or sufficiency of the information contained in this document.

Chief® is a registered trademark of Legrand AV Inc.

DEFINITIONS

MOUNTING SYSTEM: A MOUNTING SYSTEM is the primary Chief product to which an accessory and/or component is attached.

ACCESSORY: AN ACCESSORY is the secondary Chief product which is attached to a primary Chief product, and may have a component attached or setting on it.

COMPONENT: A COMPONENT is an audiovisual item designed to be attached or resting on an accessory or mounting system such as a video camera, CPU, screen, display, projector, etc.



WARNING: A WARNING alerts you to the possibility of serious injury or death if you do not follow the instructions.



CAUTION: A CAUTION alerts you to the possibility of damage or destruction of equipment if you do not follow the corresponding instructions.



IMPORTANT SAFETY INSTRUCTIONS



WARNING: Failure to read, thoroughly understand, and follow all instructions can result in serious personal injury, damage to equipment, or voiding of factory warranty! It is the installer's responsibility to make sure all mounting systems are properly assembled and installed using the instructions provided.



WARNING: Failure to provide adequate structural strength for this mounting system can result in serious personal injury or damage to equipment! It is the installer's responsibility to make sure the structure to which this mounting system is attached can support five times the combined weight of all equipment. Reinforce the structure as required before installing the mounting system.



WARNING: Exceeding the weight capacity can result in serious personal injury or damage to equipment! It is the installer's responsibility to make sure the combined weight of all components attached to the FCS1U mounting system does not exceed 130 lbs (58.9 kg).



WARNING: Use this mounting system only for its intended use as described in these instructions. Do not use attachments not recommended by the manufacturer.



WARNING: Never operate this mounting system if it is damaged. Return the mounting system to a service center for examination and repair.



WARNING: Do not use this mounting system outdoors.

IMPORTANT ! : The FCS1U mounting system is designed to be mounted to a:

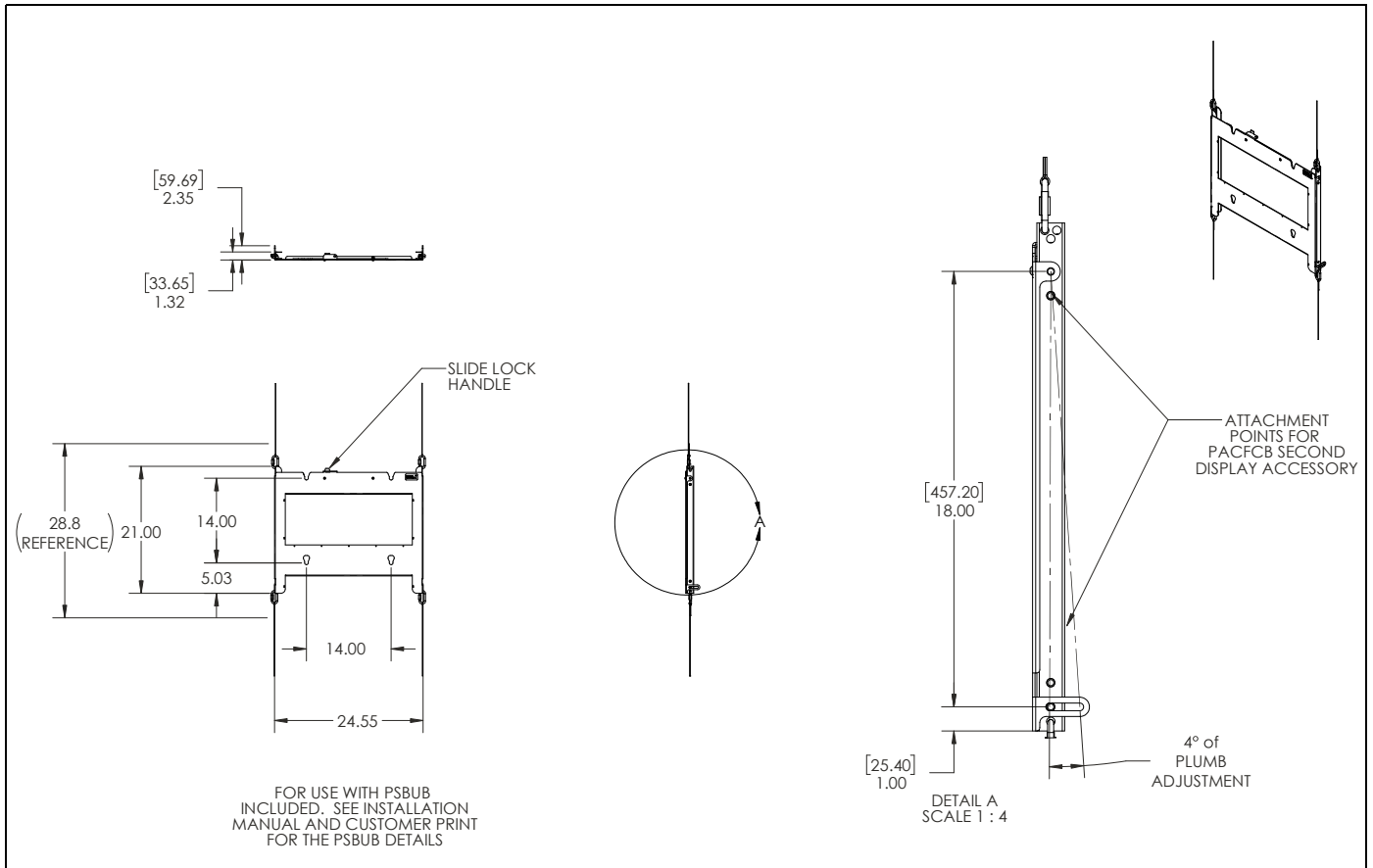
- Structurally sound solid concrete surface with a minimum thickness of 4" (101.6mm) or greater; or
- wood surface that measures at least 3-1/2" x 1-1/2" (88.9mm x 38.1mm)



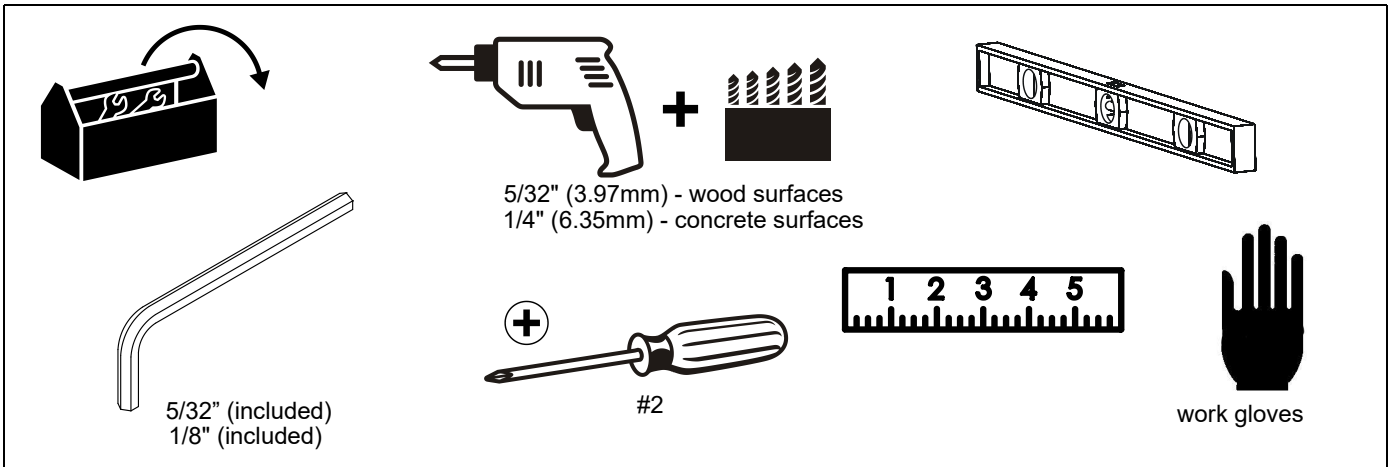
CAUTION: To prevent possible injury to hands during installation, use protective work gloves while installing cables to mount.

--SAVE THESE INSTRUCTIONS--

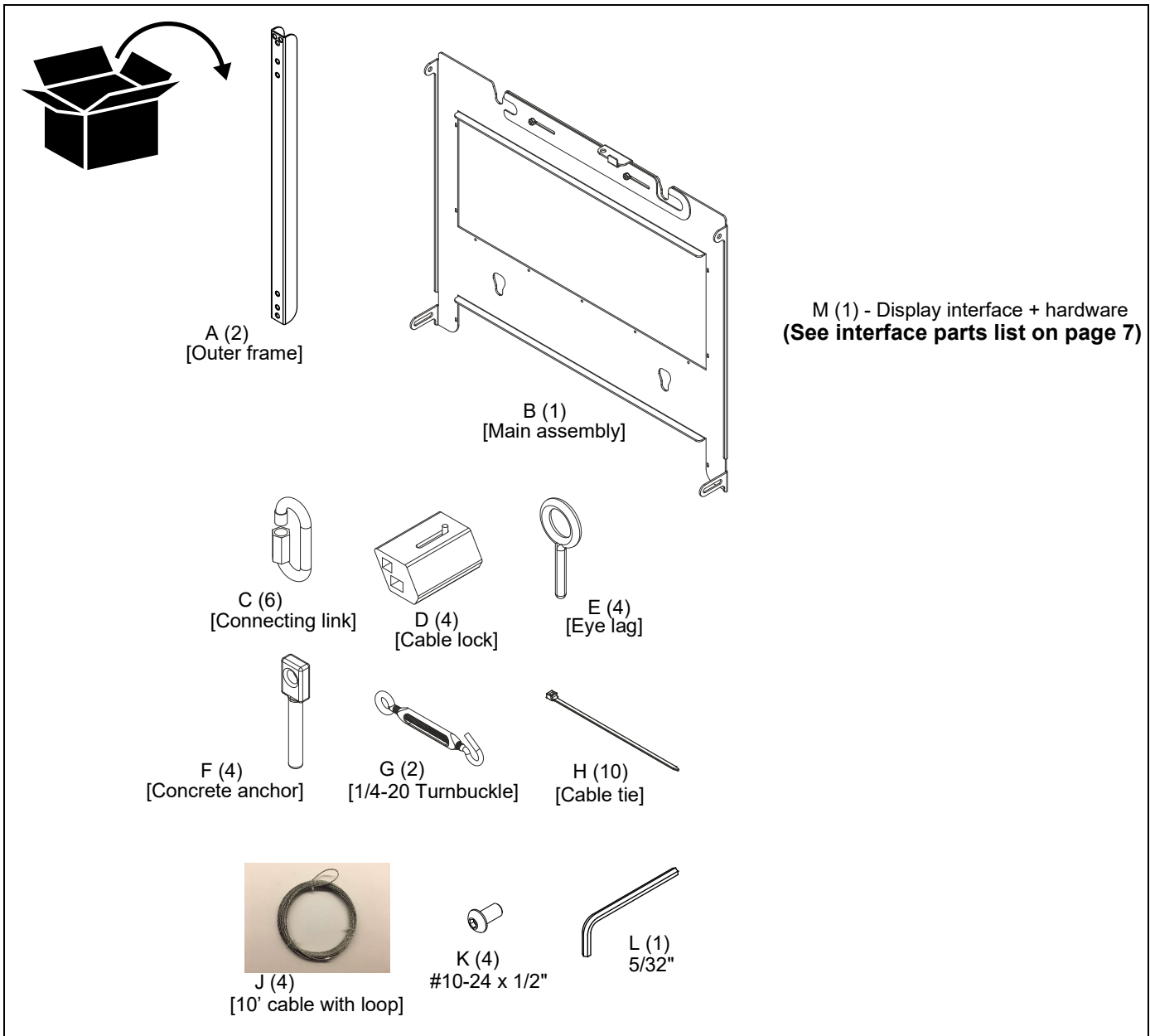
DIMENSIONS
















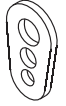
TOOLS REQUIRED FOR INSTALLATION




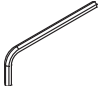
PARTS



PARTS - DISPLAY INTERFACE

Hardware Kit		
Bag A  MA (4) M4 x 12mm	Bag B  MB (4) M4 x 20mm	Bag C  MC (4) M4 x 25mm
Bag D  MD (4) M5 x 12mm	Bag E  ME (4) M5 x 20mm	Bag F  MF (4) M5 x 25mm
Bag G  MG (4) M6 x 12mm	Bag H  MH (4) M6 x 20mm	Bag I  MI (4) M6 x 25mm
Bag J  MJ (4) M8 x 12mm	Bag K  MK (4) M8 x 20mm	Bag L  ML (4) M8 x 30mm
Bag M  MMA (8) [Nesting spacer]		 MMB (4) [Universal spacer]


 MN (8)
 #10-24 x 1/2"


 MP (1)
 1/8"

Assembly And Installation

Installing Support Cables



WARNING: Failure to provide adequate structural strength for this component can result in serious personal injury or damage to equipment! It is the installer's responsibility to make sure the structure to which this component is attached can support five times the combined weight of all equipment. Reinforce the structure as required before installing the component.

IMPORTANT ! : If installing with lateral shift accessory (PACFCL), refer to the PACFCL installation instructions to install accessory to ceiling and floor.

Solid Concrete Ceiling Structure



WARNING: Anchors must be installed into structurally sound solid concrete with a minimum thickness of 4" (101.6mm) or greater. Installation into hollow concrete block, mortar, or concrete that exhibits cracking, spalling, or other defects may result in failure of anchor and serious personal injury or damage to equipment!

1. Drill 1/4" diameter x 1-1/2" deep hole at each marked cable anchor support location (See Figure 1). Ensure hole is at least 2-1/2" from nearest concrete edge. Remove debris from hole.

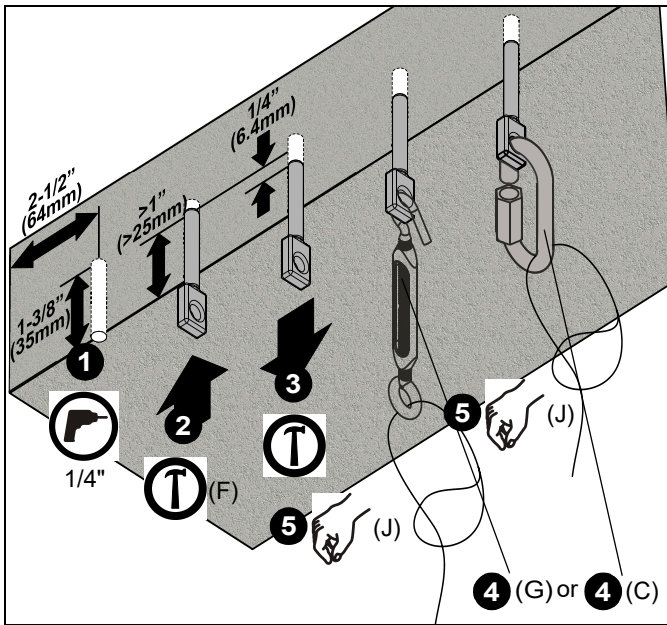


Figure 1

2. Tap anchor (F) into each hole until the anchor head is seated in the hole. (See Figure 1)



WARNING: Failure to properly set anchor may result in failure of anchor and serious personal injury or damage to equipment!

3. Using claw portion of hammer, set each anchor (F) by pulling it out of hole approximately 1/4" (6.4mm). (See Figure 1)
4. Hang turnbuckle (G) or connecting link (C) through the hole on each concrete anchor (F). (See Figure 1)

NOTE: For larger displays where the turnbuckles may be hidden behind the displays, it may be acceptable to install the turnbuckles behind the display instead of up at the ceiling. Otherwise, installing the turnbuckles at the ceiling is recommended for safety reasons.

5. Insert portion of manufactured loop on cable (J) through hole in turnbuckle (G) or connecting link (C). Insert end of cable (J) through loop. (See Figure 1)

Wood Ceiling Structure



WARNING: Anchors must be installed into wood that measures at least 3-1/2" x 1-1/2" (88.9mm x 38.1mm), and the anchor must install in the center of the narrower (1-1/2" [38.1mm]) face.

1. Drill 5/32" diameter x 2" deep hole at each marked cable anchor support location (See Figure 2). Remove debris from hole.

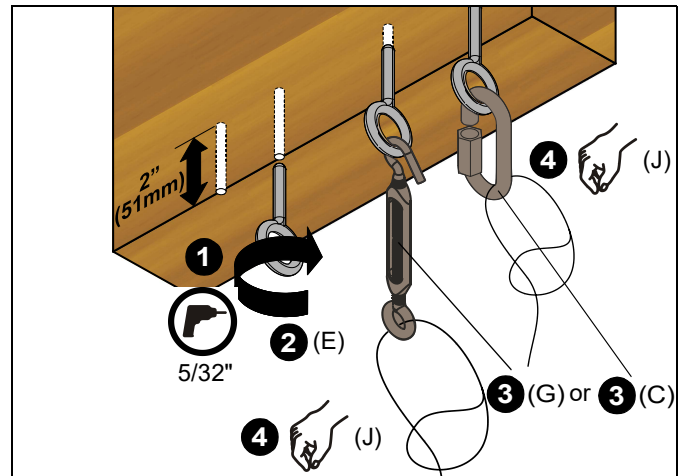


Figure 2

2. Fully thread eye lag (E) into each hole (See Figure 2).
3. Hang turnbuckle (G) or connecting link (C) through the hole on each eye lag (F). (See Figure 2)

NOTE: For larger displays where the turnbuckles may be hidden behind the displays, it may be acceptable to install the turnbuckles behind the display instead of up at the ceiling. Otherwise, installing the turnbuckles at the ceiling is recommended for safety reasons.

4. Route end of cable (J) through turnbuckle (G) or connecting link (C) hole and then through cable loop. (See Figure 2)

Solid Concrete Floor



WARNING: Anchors must be installed into structurally sound solid concrete with a minimum thickness of 4" (101.6mm) or greater. Installation into hollow concrete block, mortar, or concrete that exhibits cracking, spalling, or other defects may result in failure of anchor and serious personal injury or damage to equipment!

1. Drill 1/4" diameter x 1-1/2" deep hole at each marked cable anchor support location (See Figure 3). Use a plumb drop tool to make sure holes will be directly aligned with holes on ceiling. Ensure hole is at least 2-1/2" from nearest concrete edge. Remove debris from hole.
2. Tap anchor (F) into each hole until the anchor head is seated in the hole. (See Figure 3)



WARNING: Failure to properly set anchor may result in failure of anchor and serious personal injury or damage to equipment!

3. Using claw portion of hammer, set each anchor (F) by pulling it out of hole approximately 1/4" (6.4mm). (See Figure 3)
4. Insert portion of manufactured loop on cable (J) through hole in anchor (F). Insert end of cable (J) through loop. (See Figure 3)

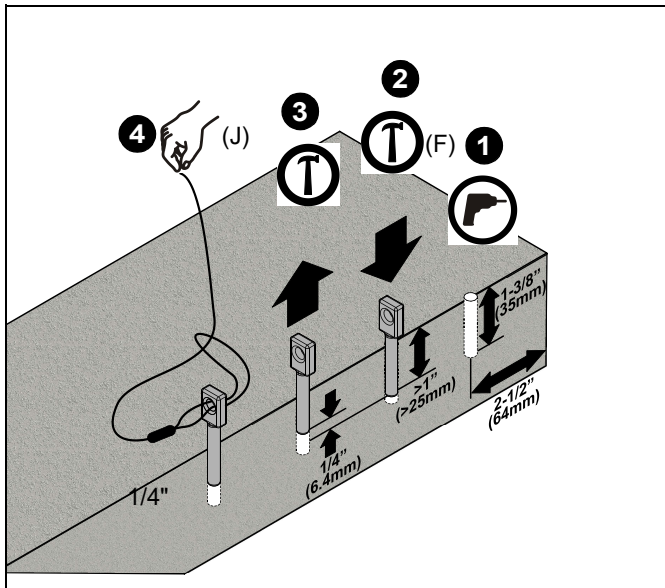


Figure 3

Wood Floor Structure



WARNING: Anchors must be installed into wood that measures at least 3-1/2" x 1-1/2" (88.9mm x 38.1mm), and the anchor must install in the center of the narrower (1-1/2" [38.1mm]) face.

1. Drill 5/32" diameter x 2" deep hole at each marked cable anchor support location (See Figure 4). Use a plumb drop tool to make sure holes will be directly aligned with holes on ceiling. Remove debris from hole.

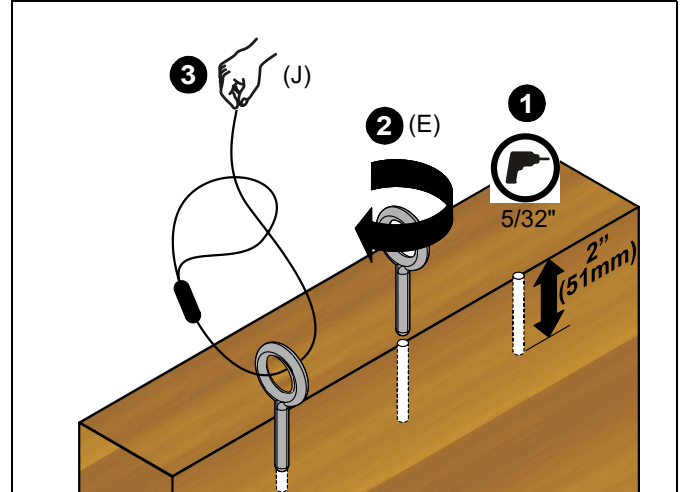


Figure 4

2. Fully thread eye lag (E) into each hole (See Figure 4).
3. Route end of cable (J) through eye lag (E) and then through cable loop. (See Figure 4)

Connecting Mount to Cables

1. Use four #10-24 x 1/2" button head cap screws (K) to secure two outer frames (A) to main assembly (B). (See Figure 5)

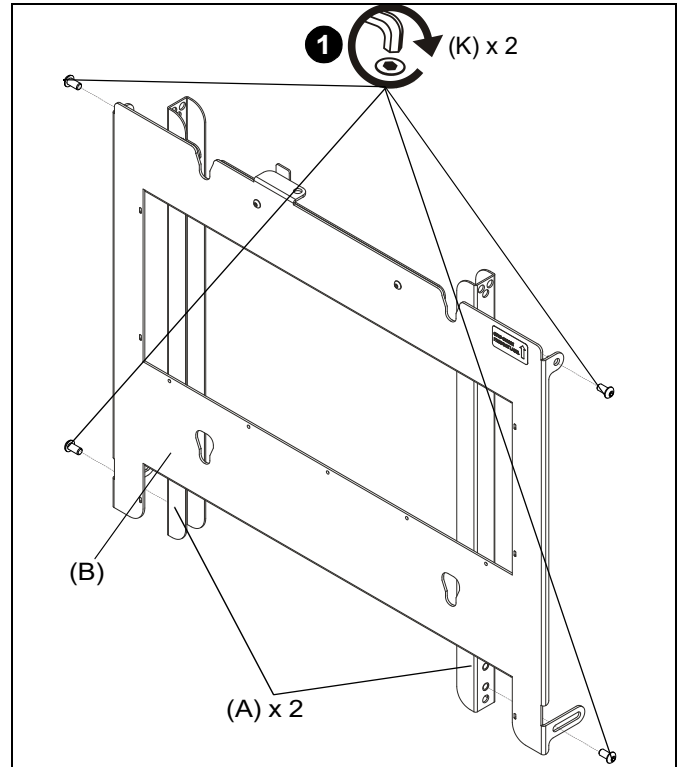


Figure 5

- Use four connecting links (C) and cable locks (D) to secure cables (J) to two outer frames (A). (See Figure 6)

NOTE: If connecting turnbuckles (G) behind display, connect turnbuckles into top holes instead of connecting links (C). (See Figure 7)

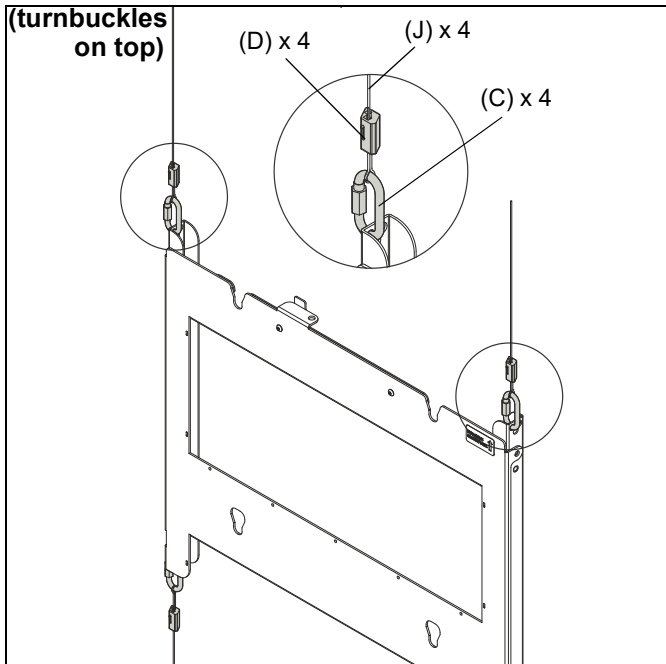


Figure 6

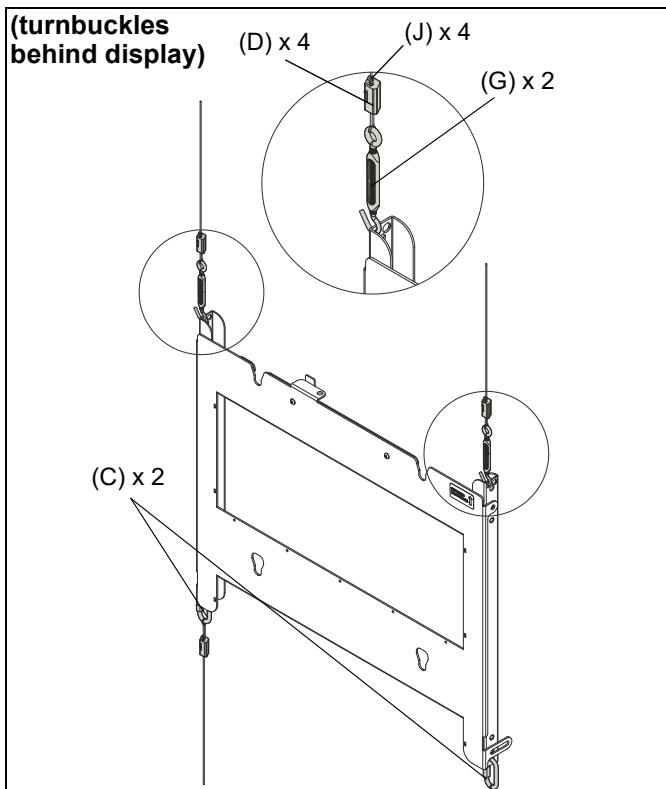


Figure 7

- Tighten two turnbuckles (G) until cables have little to no slack in them and use a level to make sure the mount is level.

Display Installation



WARNING: Exceeding the weight capacity can result in serious personal injury or damage to equipment! It is the installer's responsibility to make sure the combined weight of all components attached to the FCS1U mounting system does not exceed 130 lbs (58.9 kg).

- Make sure height is at the lowest possible position.
- Make sure latching flags are in "open" position.



WARNING: IMPROPER INSTALLATION CAN LEAD TO MOUNT FALLING CAUSING SERIOUS PERSONAL INJURY OR DAMAGE TO EQUIPMENT! DO NOT substitute hardware. Only use hardware provided or specified by manufacturer.

- Determine and mark the vertical center position between the Left side Upper and Lower mounting holes in display. (See Figure 8)
- Determine and mark the vertical center position between the Right side Upper and Lower mounting holes in display. (See Figure 8)

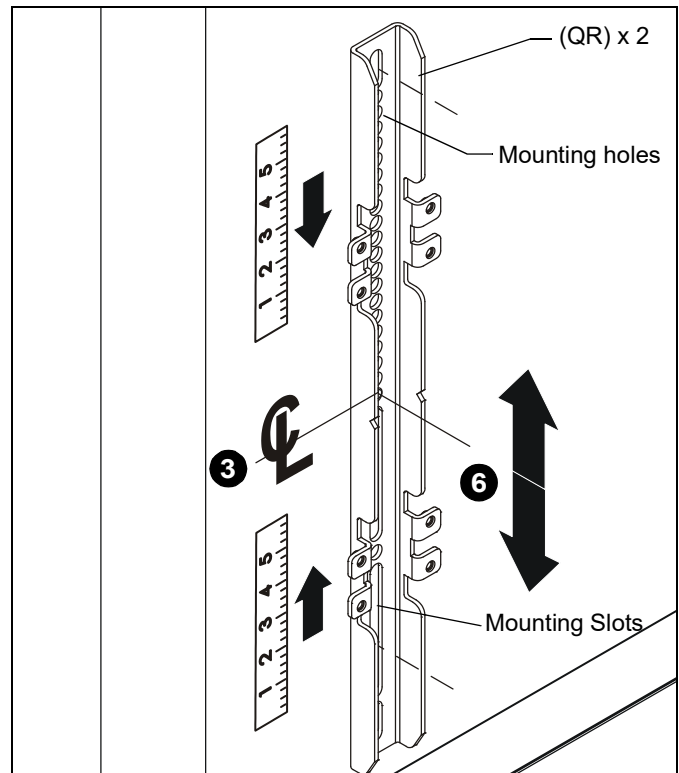


Figure 8

- Orient vertical mounting bracket (QR) so that mounting holes are on top and mounting slots are on bottom. (See Figure 8)
- Align mounting holes in vertical mounting bracket (QR) with upper and lower mounting holes in display.
- Adjust vertical mounting bracket (QR) position until mark made in Step 1 aligns with center mark in vertical mounting bracket (QR).

8. Select correct screws, nesting spacers (if necessary) and universal washers (if required) from the hardware bag (QA-QM) and attach brackets to back of screen. (See Figure 10)

IMPORTANT ! : The M8 screws do **NOT** require a washer. Use the universal washer (QMB) only with M4, M5 and M6 screws.

NOTE: The nesting spacers (QMA) may be used separately, or put two together in different configurations to create different size spacers. (See Figure 9)

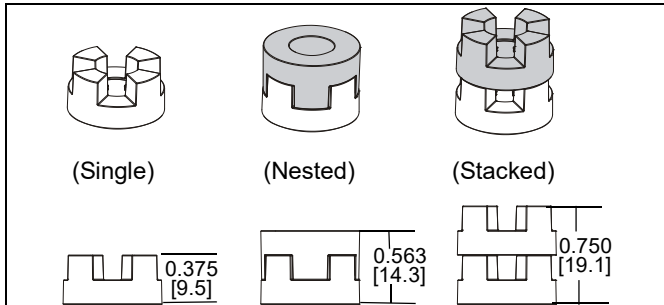


Figure 9

9. If the display has a recessed mounting surface, protrusions or a power box, a spacer and longer mounting hardware must be placed between the display and vertical mounting bracket (QR). (See Figure 10)
10. Repeat Steps 5 through 8 for Right side vertical mounting bracket using the same hole locations to align brackets horizontally.

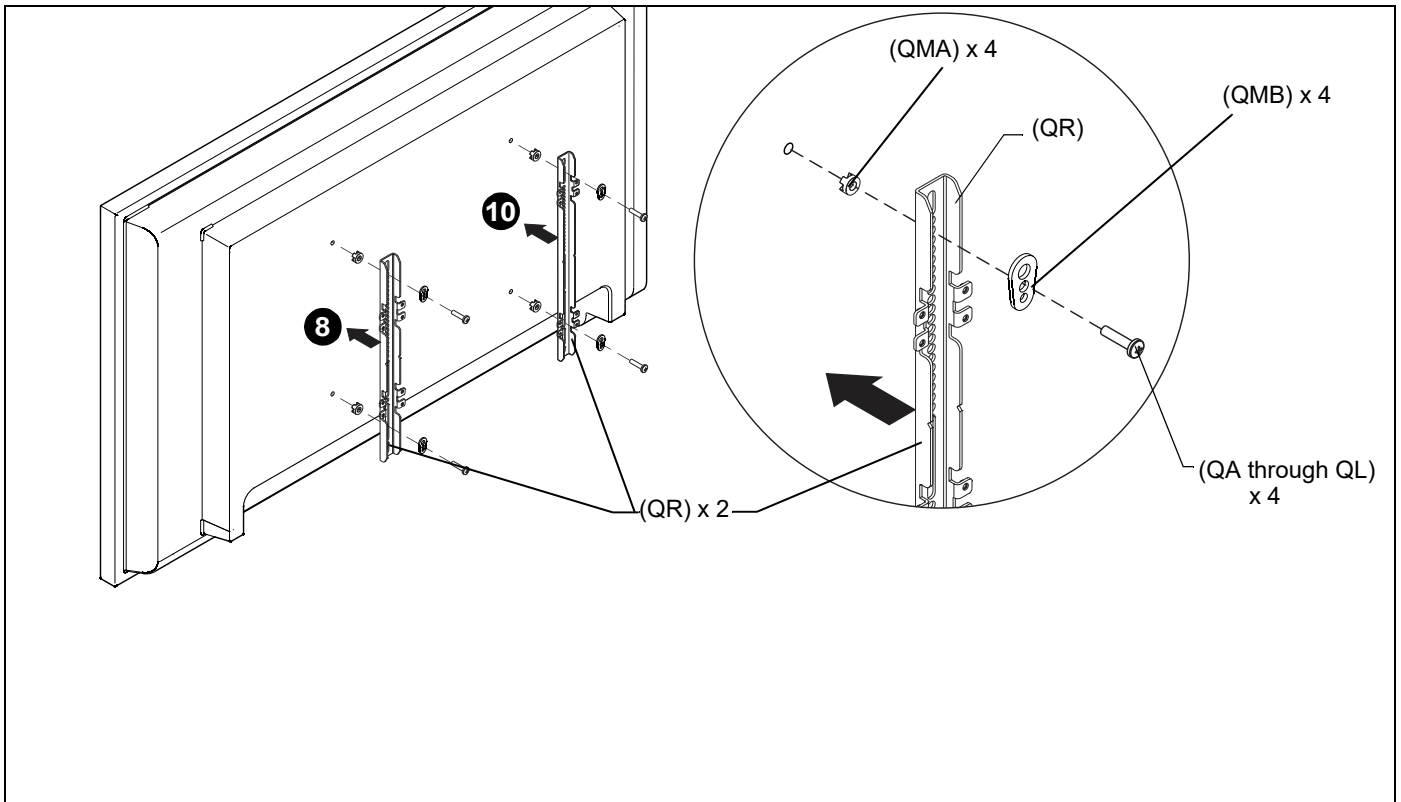


Figure 10

11. Determine and mark the horizontal center position between the Left and Right *TOP* mounting holes in display. (See Figure 11)
12. Determine and mark the horizontal center position between the Left and Right *BOTTOM* mounting holes in display. (See Figure 11)
13. Orient upper horizontal mounting bracket (QQ) so that flanges are facing towards display and resting in recessed area of left and right vertical mounting brackets (QR). (See Figure 11)
14. Adjust Upper horizontal mounting bracket (QQ) position until center diamond in horizontal mounting bracket (QU) aligns with mark made in Step 9, and mounting holes and slots in horizontal mounting bracket (QQ) are aligned with threaded holes in mounting tabs of left and right vertical mounting brackets (QR). (See Figure 11) and (See Figure 12)
15. Use 1/8" hex key (QP) to secure upper horizontal mounting bracket (QQ) to left and right vertical mounting brackets (QR) using four button head flanged screws (QN). (See Figure 12)
16. Repeat Steps 12 through 15 for lower horizontal mounting bracket (QQ).

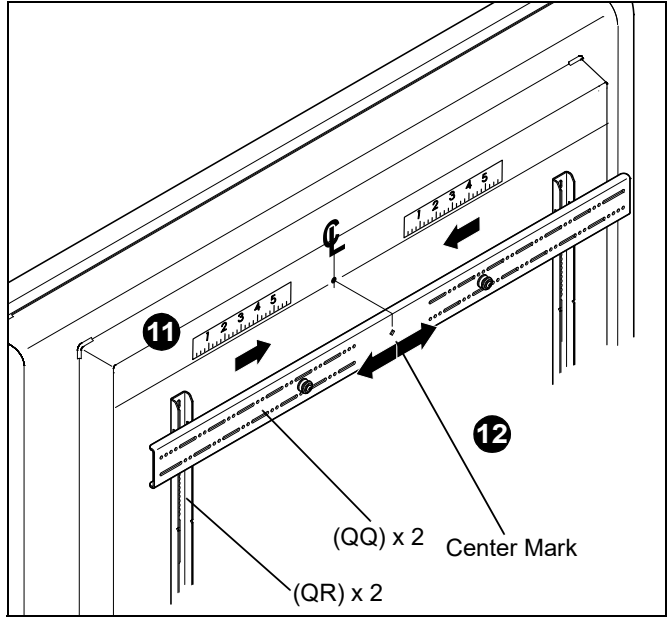


Figure 11

IMPORTANT ! : The orientation of, and mounting holes used, when installing the lower horizontal mounting bracket must be the same as the upper horizontal mounting bracket. Vertically align upper and lower brackets by aligning holes or end of slots. (See Figure 12)

IMPORTANT ! : Whenever possible install mounting screws diagonally as shown in detail in Figure 12 below.

17. Install display with attached universal interface to mount following the installation instructions provided with the mount.

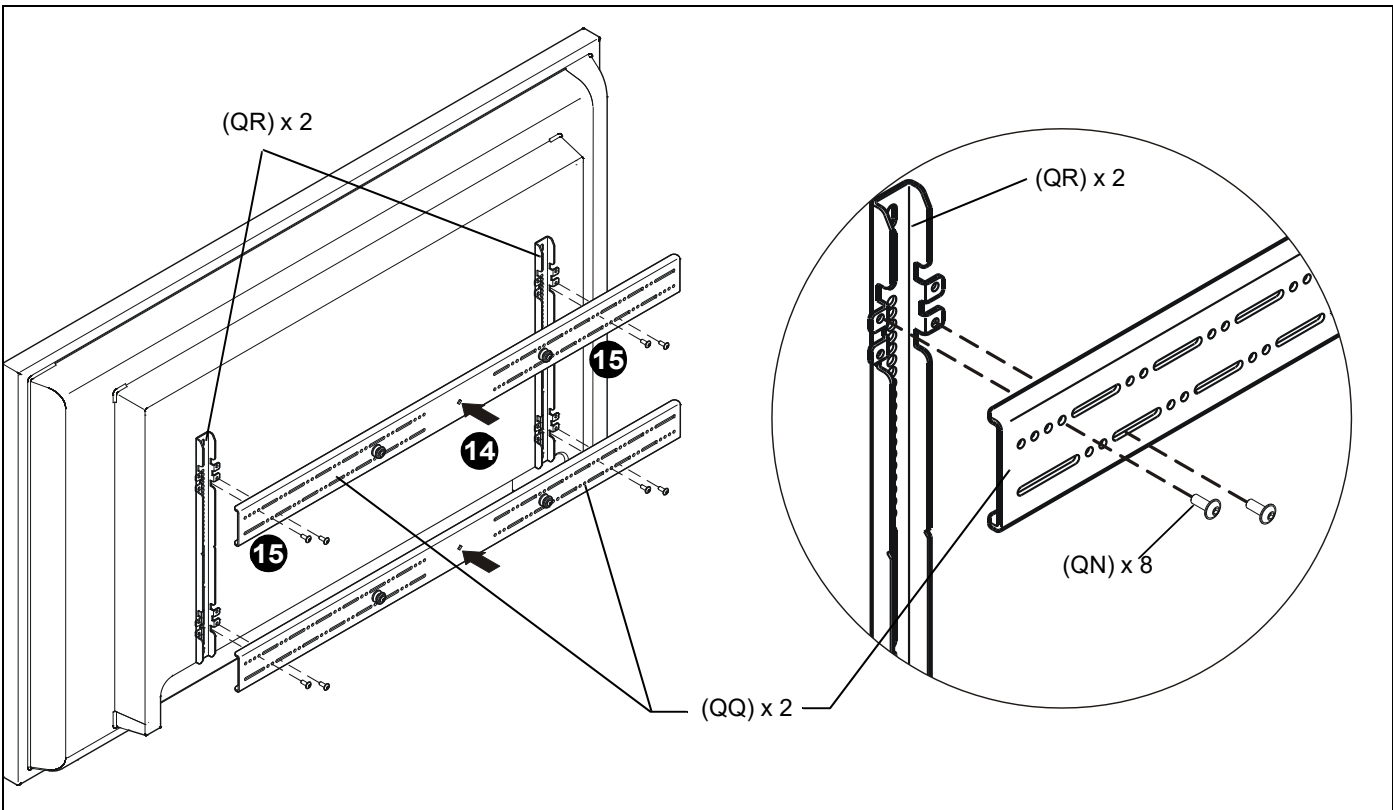


Figure 12

18. Lift display onto mount, carefully placing mounting buttons into mounting locations on faceplate. (See Figure 13)
19. Slide locking plate over mounting buttons to secure display to mount. (See Figure 13)

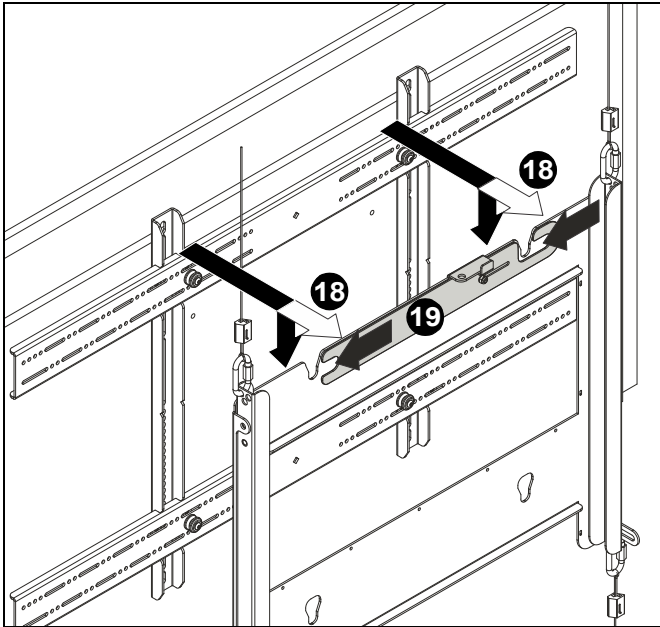


Figure 13

20. Tighten two turnbuckles until cables are tight and mount is level.

Adjustments

Plumb Adjustment

1. Loosen lower screws holding brackets together. (See Figure 14)
2. Adjust plumb (up to 4°) as necessary to ensure display is perpendicular with the floor/ceiling. (See Figure 14)
3. Tighten lower screws holding brackets together when desired plumb is reached. (See Figure 14)

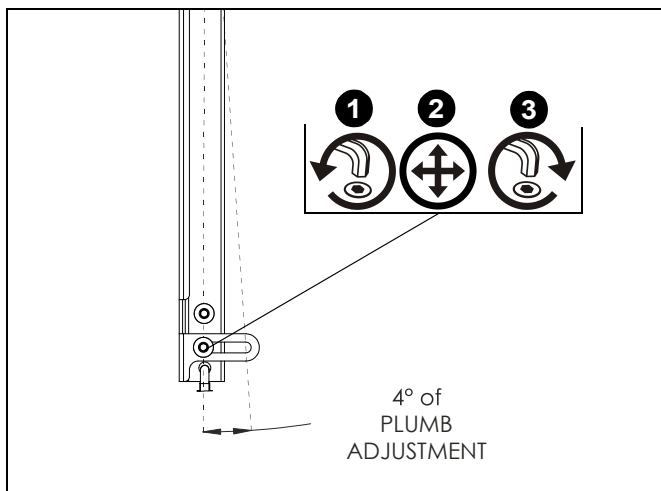


Figure 14



A brand of  **legrand**

8800-003172 Rev00
©2019 Legrand | AV
www.legrandav.com
07/19

USA/International	A 6436 City West Parkway, Eden Prairie, MN 55344 P 800.582.6480 / 952.225.6000 F 877.894.6918 / 952.894.6918
Europe	A Franklinstraat 14, 6003 DK Weert, Netherlands P +31 (0) 495 580 852 F +31 (0) 495 580 845
Asia Pacific	A Office No. 918 on 9/F, Shatin Galleria 18-24 Shan Mei Street Fotan, Shatin, Hong Kong P 852 2145 4099 F 852 2145 4477

