

---

# INSTALLATION INSTRUCTIONS

---

---

## Vertical Offset Interface Bracket

---



205 Westwood Ave, Long Branch, NJ 07740  
Phone: 866-94 BOARDS (26273) / (732)-222-1511  
Fax: (732)-222-7088 | E-mail: [sales@touchboards.com](mailto:sales@touchboards.com)

## DISCLAIMER

Milestone AV Technologies and its affiliated corporations and subsidiaries (collectively "Milestone"), intend to make this manual accurate and complete. However, Milestone makes no claim that the information contained herein covers all details, conditions or variations, nor does it provide for every possible contingency in connection with the installation or use of this product. The information contained in this document is subject to change without notice or obligation of any kind. Milestone makes no representation of warranty, expressed or implied, regarding the information contained herein. Milestone assumes no responsibility for accuracy, completeness or sufficiency of the information contained in this document.

Chief® is a registered trademark of Milestone AV Technologies. All rights reserved.

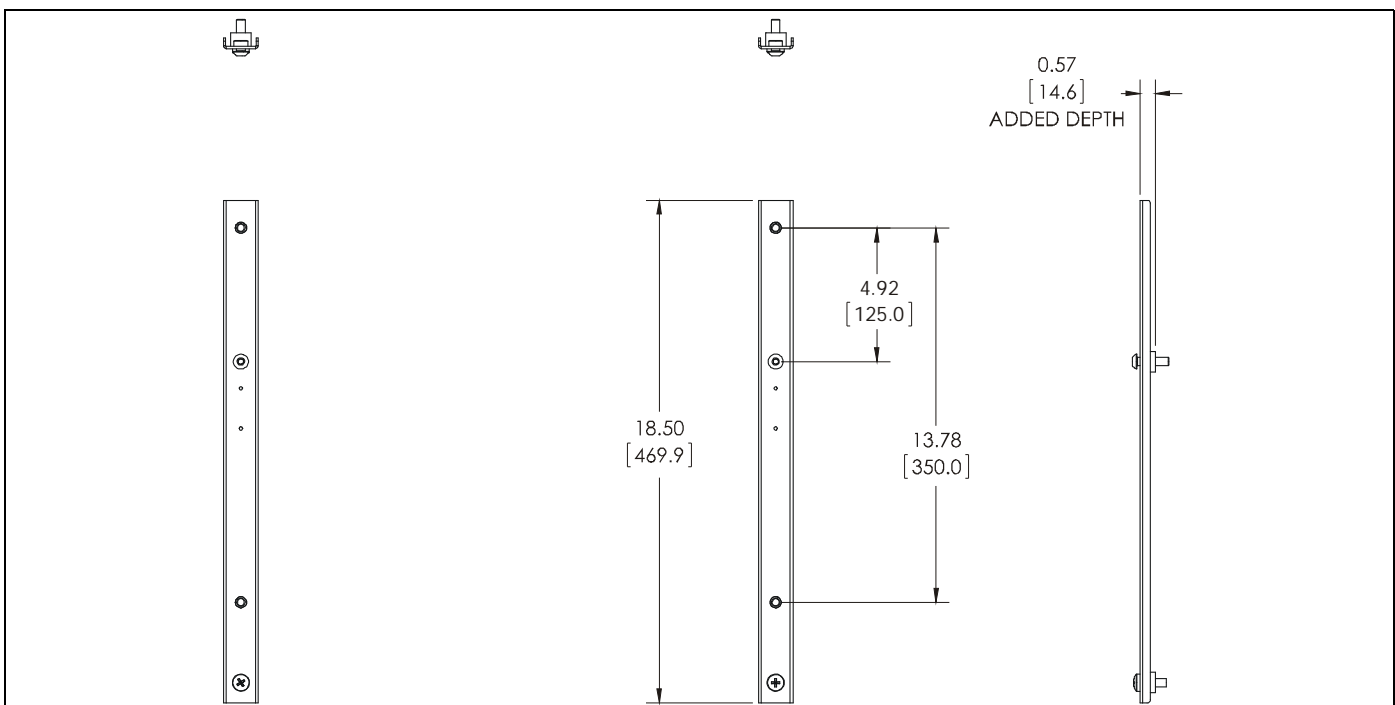
## ! IMPORTANT SAFETY INSTRUCTIONS

**! WARNING:** A WARNING alerts you to the possibility of serious injury or death if you do not follow the instructions.

**! CAUTION:** A CAUTION alerts you to the possibility of damage or destruction of equipment if you do not follow the corresponding instructions.

**! WARNING:** Failure to read, thoroughly understand, and follow all instructions can result in serious personal injury, damage to equipment, or voiding of factory warranty! It is the installer's responsibility to make sure all components are properly assembled and installed using the instructions provided.

## DIMENSIONS



**! WARNING:** Failure to provide adequate structural strength for this component can result in serious personal injury or damage to equipment! It is the installer's responsibility to make sure the structure to which this component is attached can support five times the combined weight of all equipment. Reinforce the structure as required before installing the component.

**! WARNING:** Exceeding the weight capacity can result in serious personal injury or damage to equipment! It is the installer's responsibility to make sure the maximum weight installed on the interface bracket does not exceed the weight limit of the mount to which it is being attached.

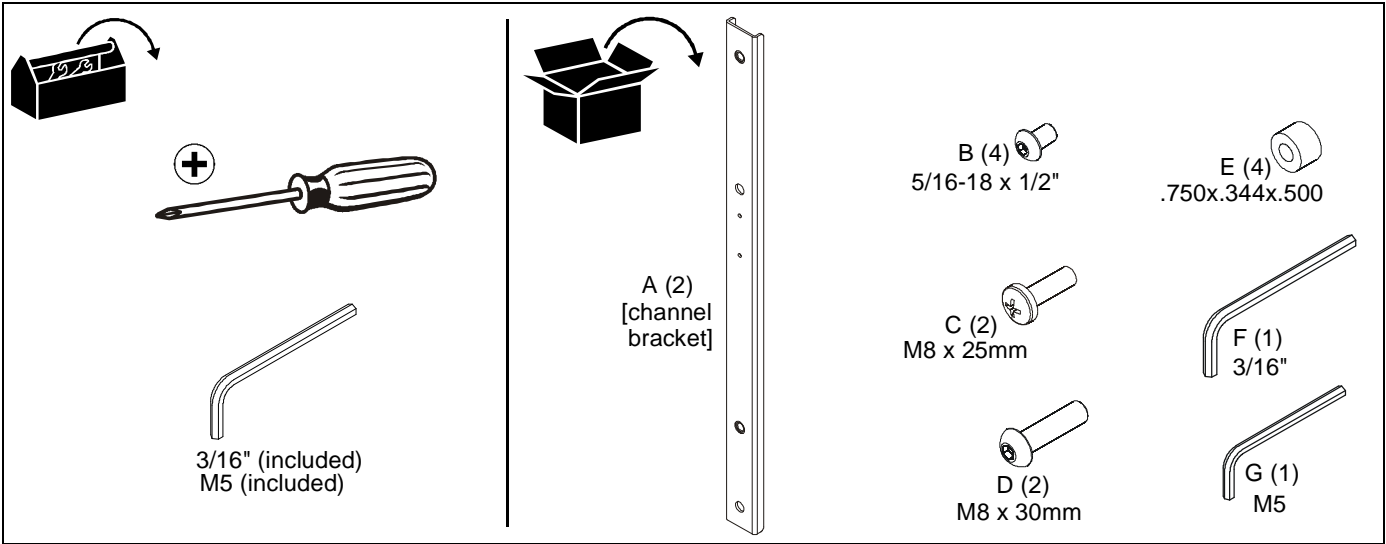
**! WARNING:** Use this mounting system only for its intended use as described in these instructions. Do not use attachments not recommended by the manufacturer.

**! WARNING:** Never operate this mounting system if it is damaged. Return the mounting system to a service center for examination and repair.

**! WARNING:** Do not use this product outdoors.

**--SAVE THESE INSTRUCTIONS--**

**TOOLS / PARTS FOR INSTALLATION**



**ASSEMBLY AND INSTALLATION**

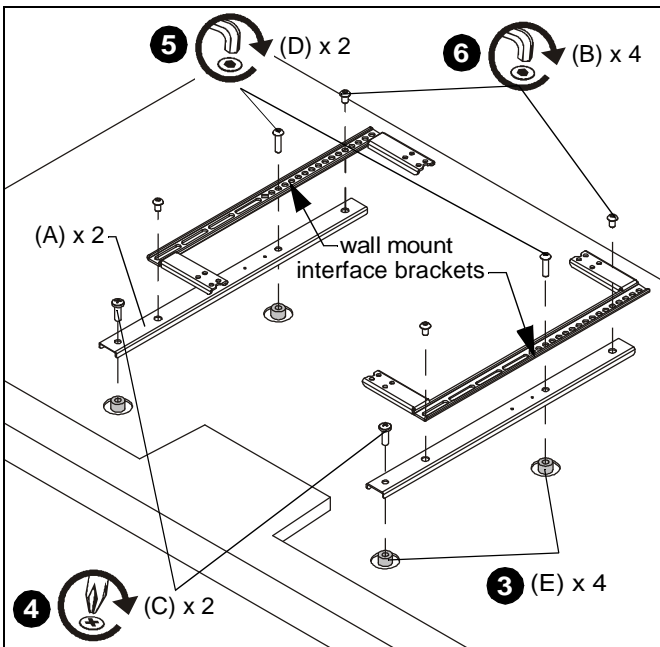
1. Install wall mount to wall following mount instructions up until the interface brackets are to be attached to the display.
2. Lay display face down on a protective surface.
3. Position four spacers (E) over four holes on back of display. (See Figure 1)
4. Install two M8 x 25mm Phillips pan machine screws (C) through two channel brackets (A), spacers (E) and into back of display. (See Figure 1)

**NOTE:** Use alignment holes in channel brackets to line up the wall mount interface brackets for either a 3-1/2" or 5" vertical offset. (See Figure 2)

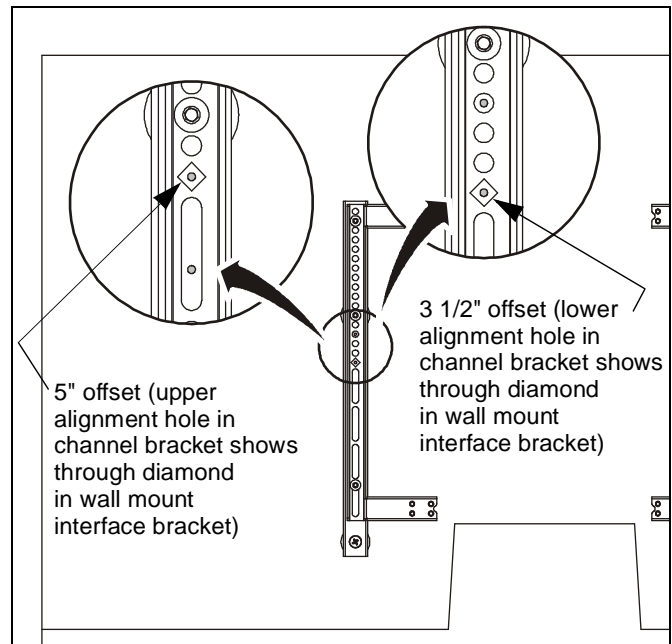


**CAUTION:** Using screws of improper length or diameter may cause damage to your display! Only use screws provided! Ensure that two M8 x 25mm screws (C) are used for lower holes and two M8 x 30mm screws (D) are used for upper holes!

5. Install two M8 x 30mm button head cap screws (D) through two wall mount interface brackets, two channel brackets (A), spacers (E) and into back of display. (See Figure 1)
6. Use four 5/16-18 1/2" button head cap screws (B) to secure two wall mount interface brackets to two channel brackets (A). (See Figure 1)



**Figure 1**



**Figure 2**

7. Complete the installation following the wall mount installation instructions.

# Touchboards

**205 Westwood Ave, Long Branch, NJ 07740**  
**Phone: 866-94 BOARDS (26273) / (732)-222-1511**  
**Fax: (732)-222-7088 | E-mail: [sales@touchboards.com](mailto:sales@touchboards.com)**



Our Mounts. **Your Vision.**

Chief Manufacturing, a products division  
of Milestone AV Technologies

8800-002301 Rev00  
 ©2013 Milestone AV Technologies, a  
 Duchossois Group Company  
[www.chiefmfg.com](http://www.chiefmfg.com)  
 01/13

<b>USA/International</b>	<b>A</b> 6436 City West Parkway, Eden Prairie, MN 55344 <b>P</b> 800.582.6480 / 952.225.6000 <b>F</b> 877.894.6918 / 952.894.6918
<b>Europe</b>	<b>A</b> Franklinstraat 14, 6003 DK Weert, Netherlands <b>P</b> +31 (0) 495 580 852 <b>F</b> +31 (0) 495 580 845
<b>Asia Pacific</b>	<b>A</b> Office No. 1 on 12/F, Shatin Galleria 18-24 Shan Mei Street Fotan, Shatin, Hong Kong <b>P</b> 852 2145 4099 <b>F</b> 852 2145 4477

