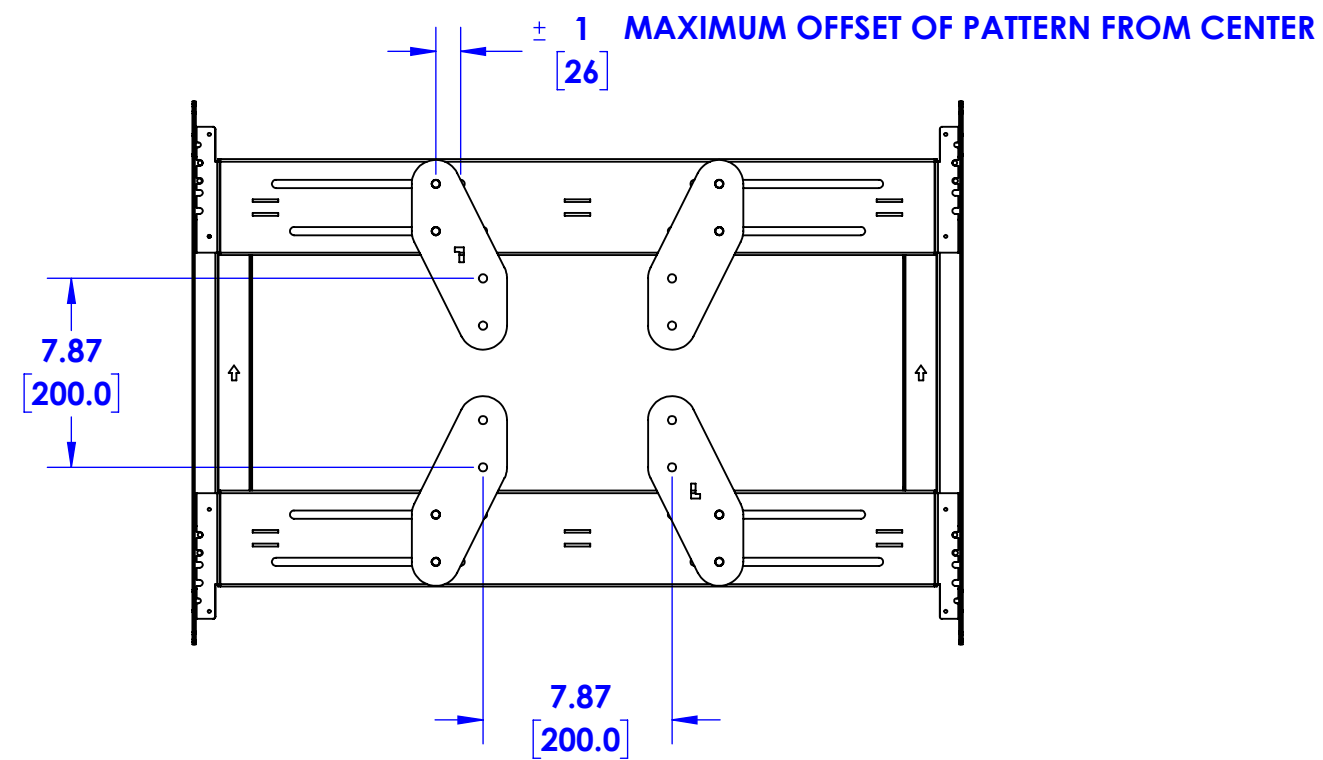


LW46, LW47, AND LW48 KIOSK, 200X200 PATTERN

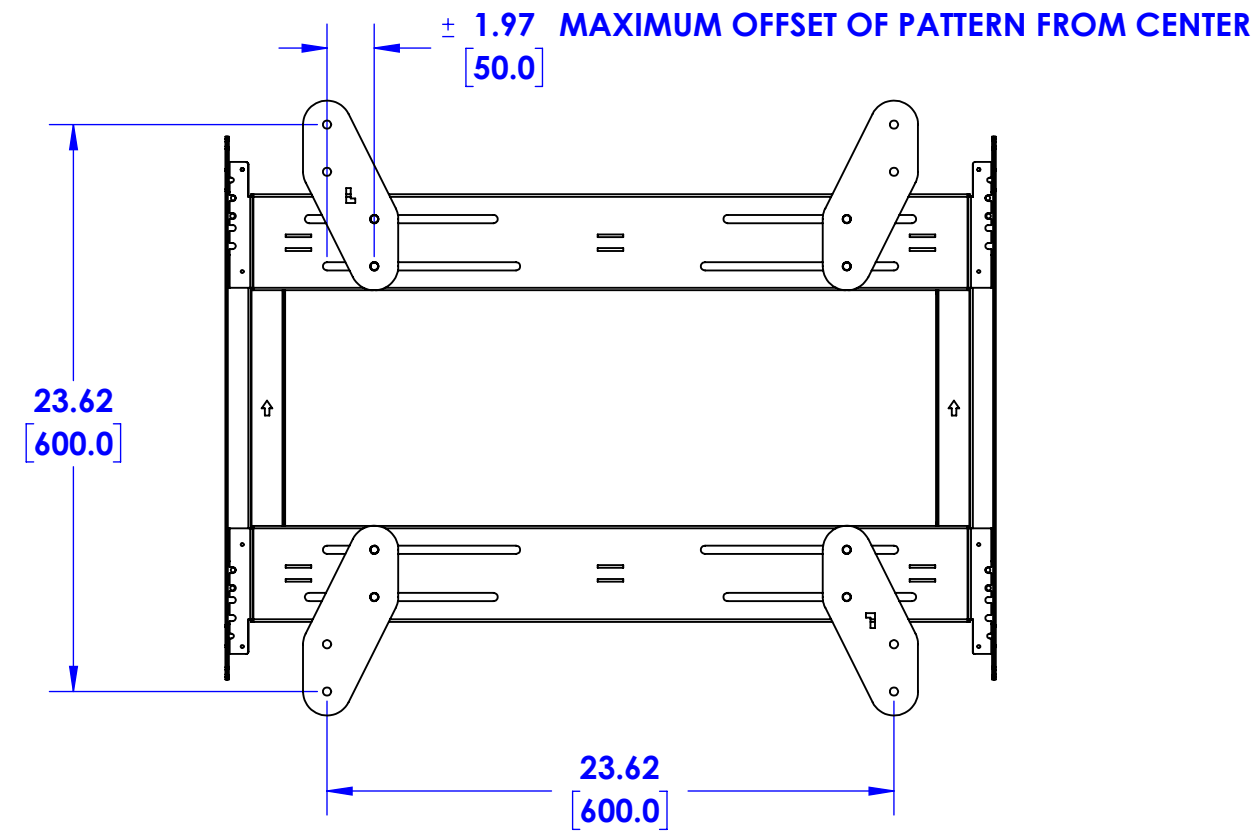
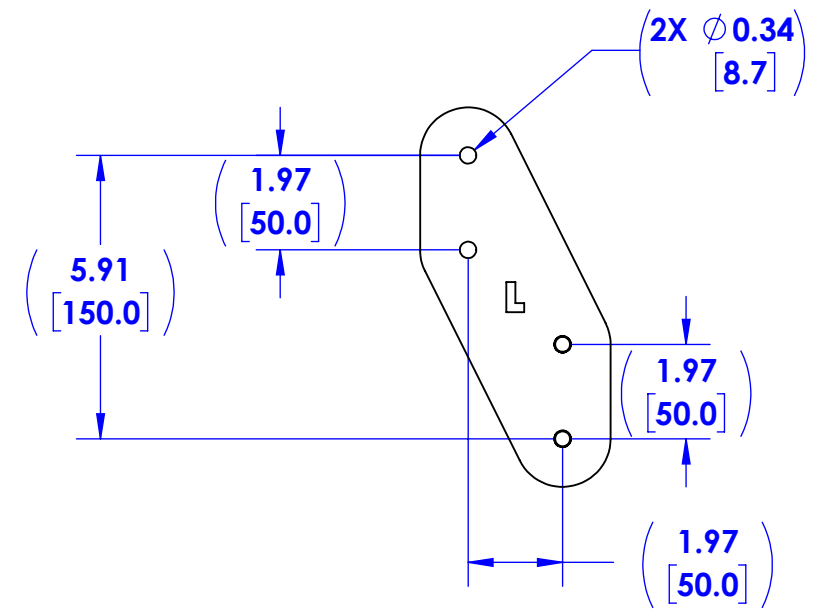
- NOTE:**
1. KIOSK/MONITOR DEPTH CAPACITY REDUCED BY .125 (3.2mm) WHEN BRACKETS USED
 2. KIOSK WEIGHT CAPACITY REDUCED BY 5lbs WHEN BRACKETS USED

THE INFORMATION AND DESIGNS CONTAINED IN THIS DRAWING ARE CONFIDENTIAL AND THE PROPRIETARY PROPERTY OF MILESTONE AV TECHNOLOGIES NEITHER THIS DESIGN NOR ANY INFORMATION CONTAINED IN THIS DRAWING MAY BE REPRODUCED OR DISCLOSED TO OTHERS WITHOUT THE EXPRESS WRITTEN CONSENT OF MILESTONE AV TECHNOLOGIES.

CAD GENERATED DRAWING, DO NOT MANUALLY UPDATE.			6436 CITY WEST PKWY EDEN PRAIRIE MN, 55344 PHONE: 866-977-3901 FAX: 877-894-6918
DRAWN BY	HEF	5/1/2019	
ENG APPROVAL			DESCRIPTION
MFG APPROVAL			KIOSK VESA ADAPTER BRACKETS
QA APPROVAL			MODEL NO.
SHEET 1 OF 5			FHBUL
SCALE	1:8	SIZE	DWG. NO.
		B	TECH-000994
			REV.
			00



LW49, LW50, AND LW55 KIOSK, 200X200 PATTERN

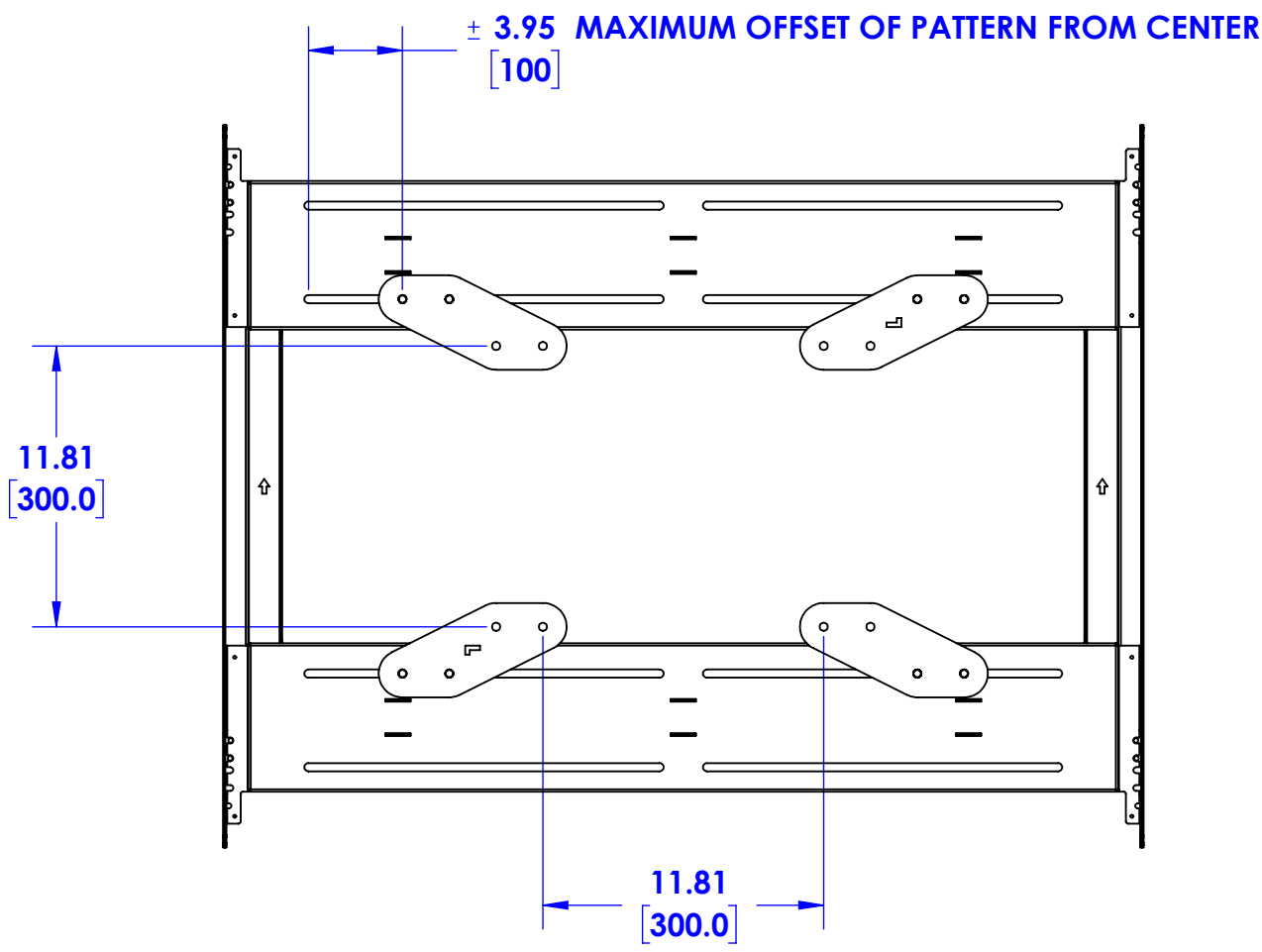


LW49, LW50, AND LW55 KIOSK, 600X600 PATTERN

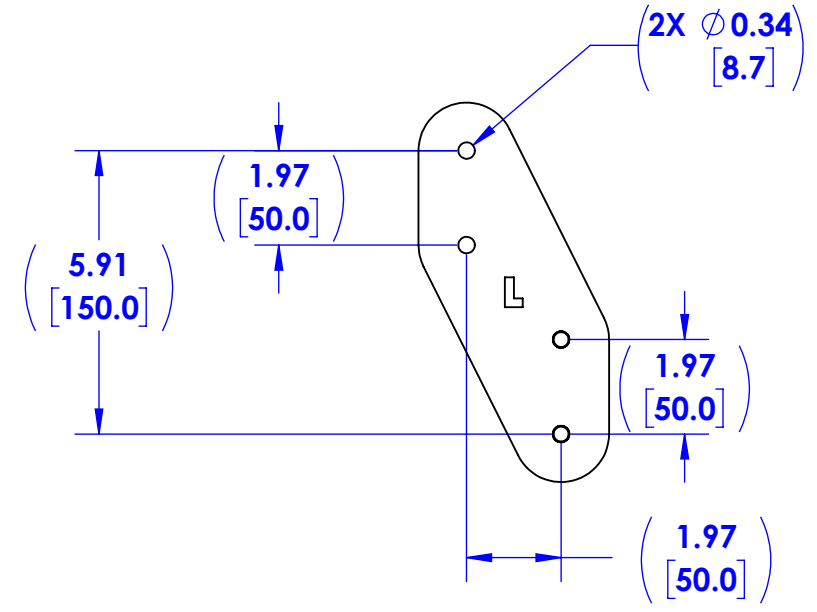
- NOTE:**
1. KIOSK/MONITOR DEPTH CAPACITY REDUCED BY .125 (3.2mm) WHEN BRACKETS USED
 2. KIOSK WEIGHT CAPACITY REDUCED BY 5lbs WHEN BRACKETS USED

THE INFORMATION AND DESIGNS CONTAINED IN THIS DRAWING ARE CONFIDENTIAL AND THE PROPRIETARY PROPERTY OF MILESTONE AV TECHNOLOGIES NEITHER THIS DESIGN NOR ANY INFORMATION CONTAINED IN THIS DRAWING MAY BE REPRODUCED OR DISCLOSED TO OTHERS WITHOUT THE EXPRESS WRITTEN CONSENT OF MILESTONE AV TECHNOLOGIES.

CAD GENERATED DRAWING, DO NOT MANUALLY UPDATE.				6436 CITY WEST PKWY EDEN PRAIRIE MN, 55344 PHONE: 866-977-3901 FAX: 877-894-6918	
DRAWN BY	HEF	5/1/2019		DESCRIPTION KIOSK VESA ADAPTER BRACKETS	
ENG APPROVAL			MODEL NO. FHBUL		
MFG APPROVAL			REV. 00		
QA APPROVAL			SHEET 2 OF 5		
SCALE		1:8	SIZE	DWG. NO.	TECH-000994



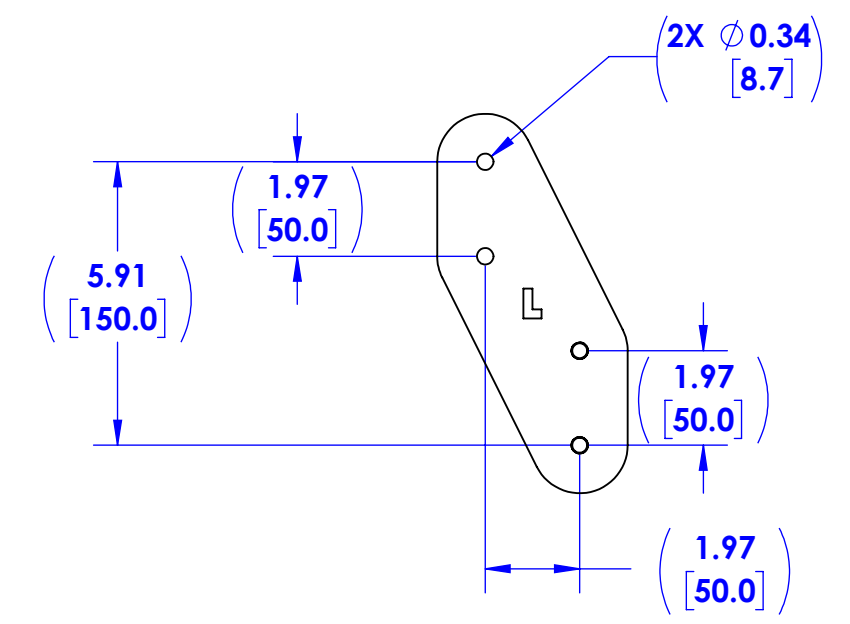
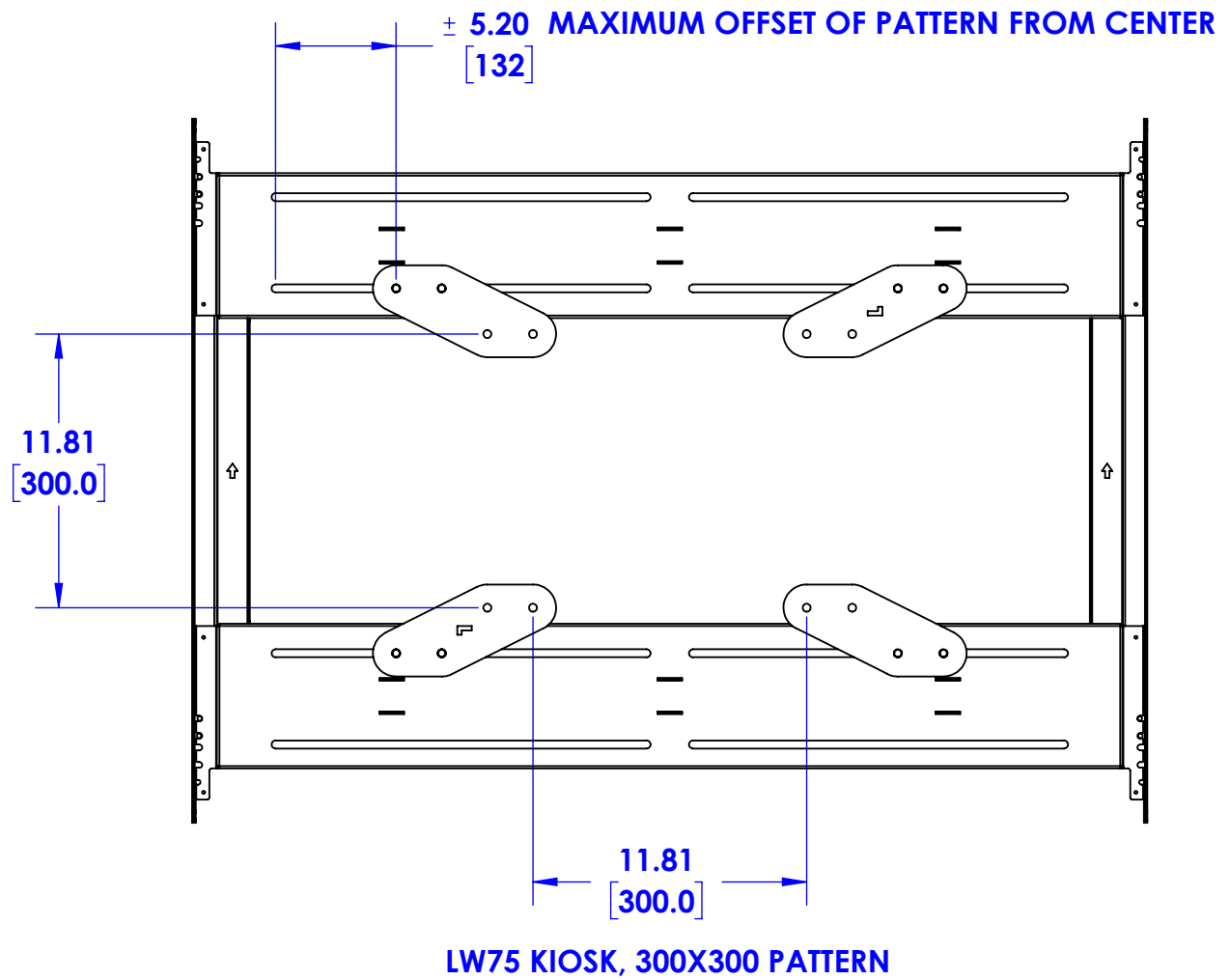
LW65 AND LW70 KIOSK, 300X300 PATTERN



- NOTE:**
1. KIOSK/MONITOR DEPTH CAPACITY REDUCED BY .125 (3.2mm) WHEN BRACKETS USED
 2. KIOSK WEIGHT CAPACITY REDUCED BY 5lbs WHEN BRACKETS USED

THE INFORMATION AND DESIGNS CONTAINED IN THIS DRAWING ARE CONFIDENTIAL AND THE PROPRIETARY PROPERTY OF MILESTONE AV TECHNOLOGIES NEITHER THIS DESIGN NOR ANY INFORMATION CONTAINED IN THIS DRAWING MAY BE REPRODUCED OR DISCLOSED TO OTHERS WITHOUT THE EXPRESS WRITTEN CONSENT OF MILESTONE AV TECHNOLOGIES.

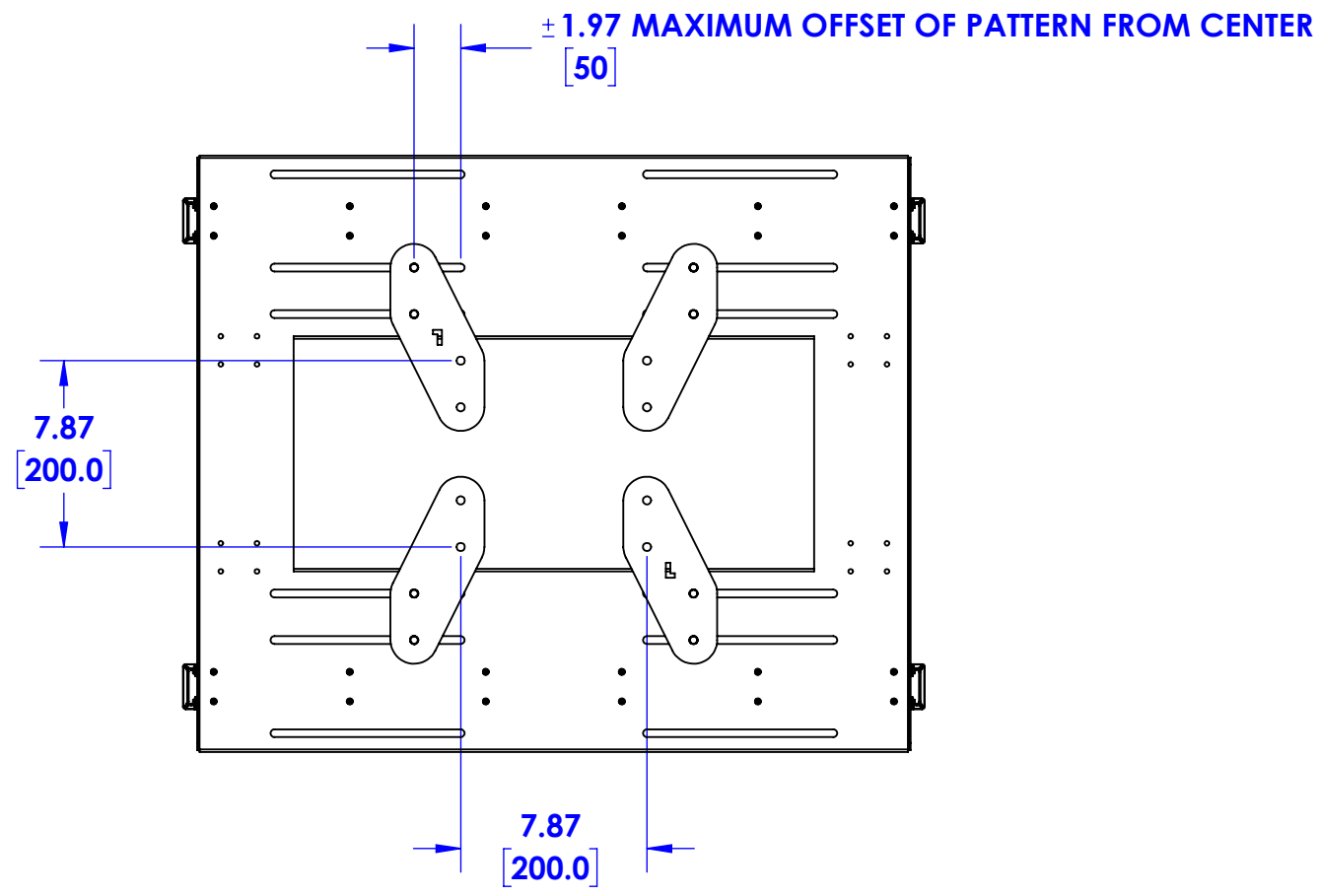
CAD GENERATED DRAWING, DO NOT MANUALLY UPDATE.			CHIEF 6436 CITY WEST PKWY EDEN PRAIRIE MN, 55344 PHONE: 866-977-3901 FAX: 877-894-6918	
DRAWN BY	HEF	5/1/2019	DESCRIPTION KIOSK VESA ADAPTER BRACKETS	
ENG APPROVAL			MODEL NO. FHBUL	
MFG APPROVAL			REV. 00	
QA APPROVAL			SCALE 1:8	
SHEET 3 OF 5		SIZE B	DWG. NO. TECH-000994	



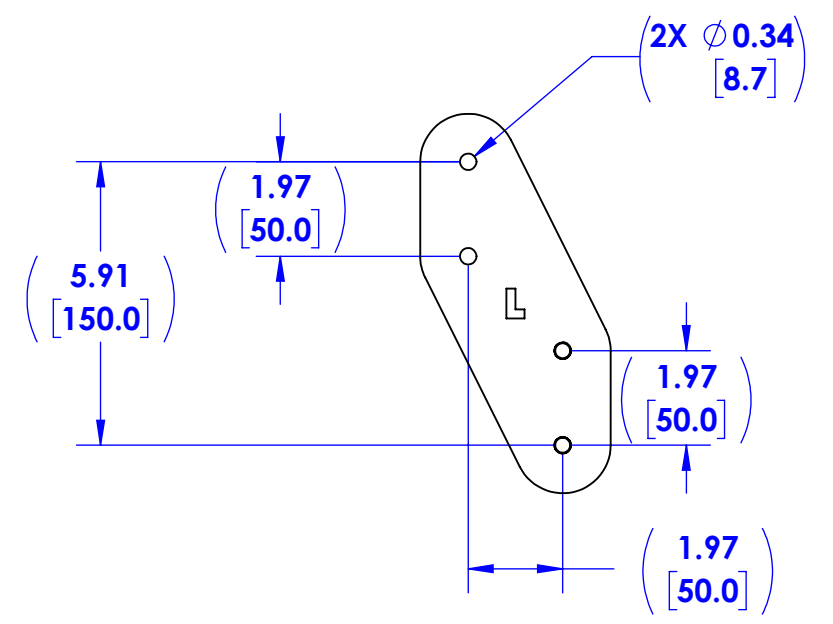
NOTE:
 1. KIOSK/MONITOR DEPTH CAPACITY REDUCED BY .125 (3.2mm) WHEN BRACKETS USED
 2. KIOSK WEIGHT CAPACITY REDUCED BY 5lbs WHEN BRACKETS USED

THE INFORMATION AND DESIGNS CONTAINED IN THIS DRAWING ARE CONFIDENTIAL AND THE PROPRIETARY PROPERTY OF MILESTONE AV TECHNOLOGIES NEITHER THIS DESIGN NOR ANY INFORMATION CONTAINED IN THIS DRAWING MAY BE REPRODUCED OR DISCLOSED TO OTHERS WITHOUT THE EXPRESS WRITTEN CONSENT OF MILESTONE AV TECHNOLOGIES.

CAD GENERATED DRAWING, DO NOT MANUALLY UPDATE.			6436 CITY WEST PKWY EDEN PRAIRIE MN, 55344 PHONE: 866-977-3901 FAX: 877-894-6918	
DRAWN BY	HEF	5/1/2019		
ENG APPROVAL			DESCRIPTION KIOSK VESA ADAPTER BRACKETS	
MFG APPROVAL			MODEL NO. FHBUL	
QA APPROVAL			SIZE B	DWG. NO. TECH-000994
SHEET 4 OF 5			SCALE 1:8	REV. 00



LF49, LF50, AND LF55 KIOSK, 300X300 PATTERN



- NOTE:**
1. KIOSK/MONITOR DEPTH CAPACITY REDUCED BY .125 (3.2mm) WHEN BRACKETS USED
 2. KIOSK WEIGHT CAPACITY REDUCED BY 5lbs WHEN BRACKETS USED

THE INFORMATION AND DESIGNS CONTAINED IN THIS DRAWING ARE CONFIDENTIAL AND THE PROPRIETARY PROPERTY OF MILESTONE AV TECHNOLOGIES NEITHER THIS DESIGN NOR ANY INFORMATION CONTAINED IN THIS DRAWING MAY BE REPRODUCED OR DISCLOSED TO OTHERS WITHOUT THE EXPRESS WRITTEN CONSENT OF MILESTONE AV TECHNOLOGIES.

CAD GENERATED DRAWING, DO NOT MANUALLY UPDATE.			6436 CITY WEST PKWY EDEN PRAIRIE MN, 55344 PHONE: 866-977-3901 FAX: 877-894-6918	
DRAWN BY	HEF	5/1/2019	DESCRIPTION	
ENG APPROVAL			KIOSK VESA ADAPTER BRACKETS	
MFG APPROVAL			MODEL NO.	
QA APPROVAL			FHBUL	
SHEET 5 OF 5		SCALE	SIZE	DWG. NO.
		1:8	B	TECH-000994
				REV.
				00