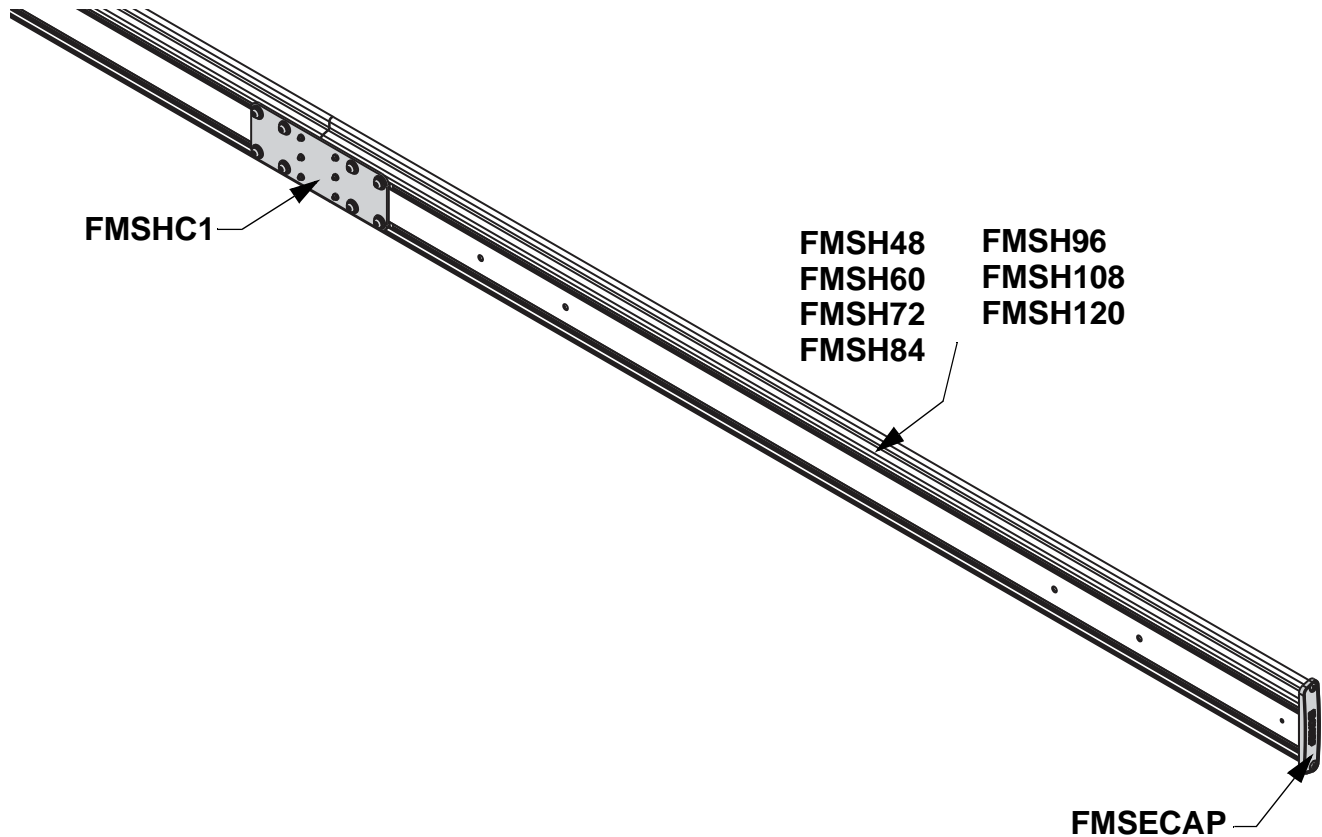


INSTALLATION INSTRUCTIONS



Fusion Modular Mounting Rails, Connectors and End Cap Kits

Touchboards

205 Westwood Ave, Long Branch, NJ 07740
Phone: 866-94 BOARDS (26273) / (732)-222-1511
Fax: (732)-222-7088 | E-mail: sales@touchboards.com

CHIEF
Our Mounts. Your Vision.

**FMSH48-60-72-84-96-108-120 /
FMSHC1 / FMSECAP**

DISCLAIMER

Milestone AV Technologies and its affiliated corporations and subsidiaries (collectively "Milestone"), intend to make this manual accurate and complete. However, Milestone makes no claim that the information contained herein covers all details, conditions or variations, nor does it provide for every possible contingency in connection with the installation or use of this product. The information contained in this document is subject to change without notice or obligation of any kind. Milestone makes no representation of warranty, expressed or implied, regarding the information contained herein. Milestone assumes no responsibility for accuracy, completeness or sufficiency of the information contained in this document.

Chief® is a registered trademark of Milestone AV Technologies. All rights reserved.

DEFINITIONS

MOUNTING SYSTEM: A MOUNTING SYSTEM is the primary Chief product to which an accessory and/or component is attached.

ACCESSORY: AN ACCESSORY is the secondary Chief product which is attached to a primary Chief product, and may have a component attached or setting on it.

COMPONENT: A COMPONENT is an audiovisual item designed to be attached or resting on an accessory or mounting system such as a video camera, CPU, screen, display, projector, etc.



WARNING: A WARNING alerts you to the possibility of serious injury or death if you do not follow the instructions.



CAUTION: A CAUTION alerts you to the possibility of damage or destruction of equipment if you do not follow the corresponding instructions.



IMPORTANT SAFETY INSTRUCTIONS



WARNING: Failure to read, thoroughly understand, and follow all instructions can result in serious personal injury, damage to equipment, or voiding of factory warranty! It is the installer's responsibility to make sure all mounting systems / accessories are properly assembled and installed using the instructions provided.



WARNING: Exceeding the weight capacity can result in serious personal injury or damage to equipment! It is the installer's responsibility to make sure the combined weight of all components attached to mounting system does not exceed the weight capacity listed in the **Fusion Modular Systems installation instructions**.

IMPORTANT ! : These installation instructions must be used in conjunction with the **Fusion Modular Systems** installation instructions.

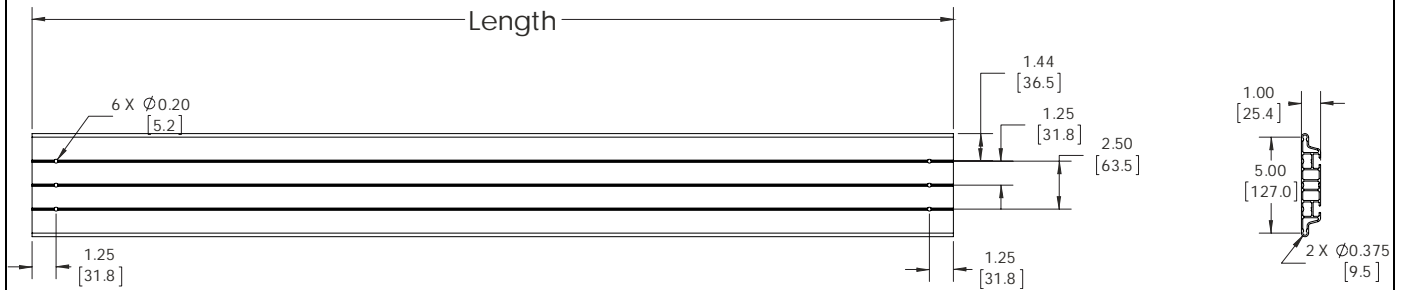
--SAVE THESE INSTRUCTIONS--

DIMENSIONS

FMSH48 / FMSH60 / FMSH72 / FMSH84 / FMSH96 / FMSH108 / FMSH120

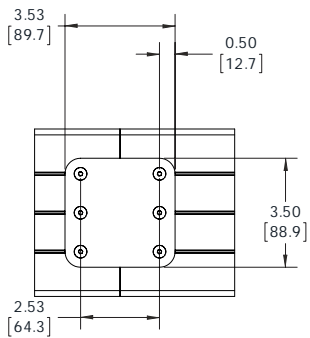
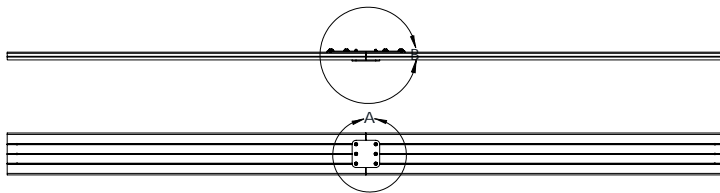
FMSH EXTRUSION AVAILABLE IN THE FOLLOWING LENGTHS

- FMSH48 = 48"
- FMSH60 = 60"
- FMSH72 = 72"
- FMSH84 = 84"
- FMSH96 = 96"
- FMSH108 = 108"
- FMSH120 = 120"

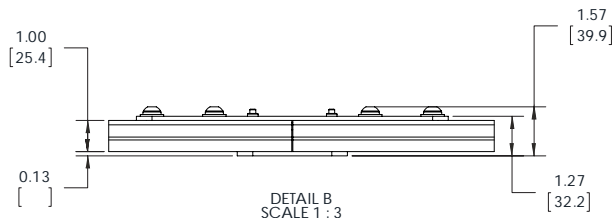


DIMENSIONS: INCHES
[MILLIMETERS]

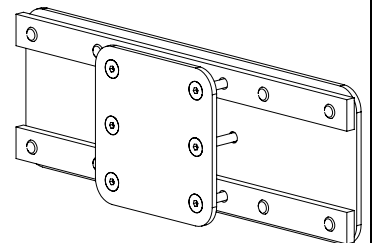
FMSHC1



DETAIL A
SCALE 1:3















DETAIL B
SCALE 1:3



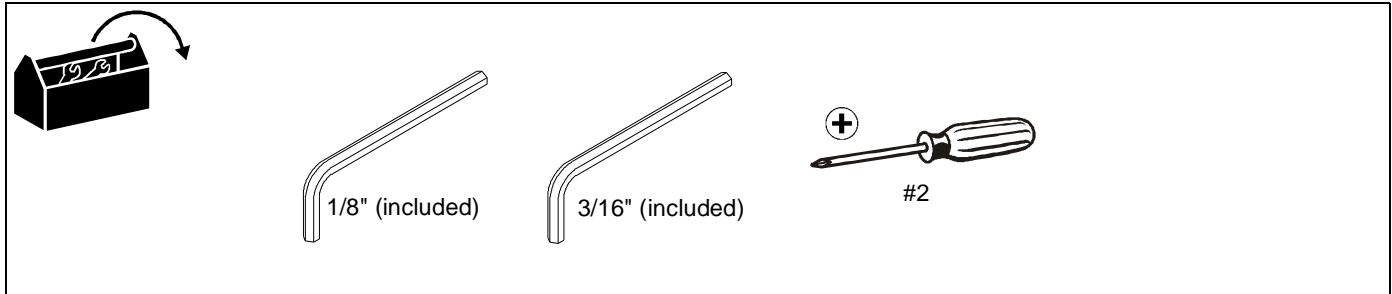
EXTRUSION SOLD SEPARATELY

DIMENSIONS: INCHES
[MILLIMETERS]

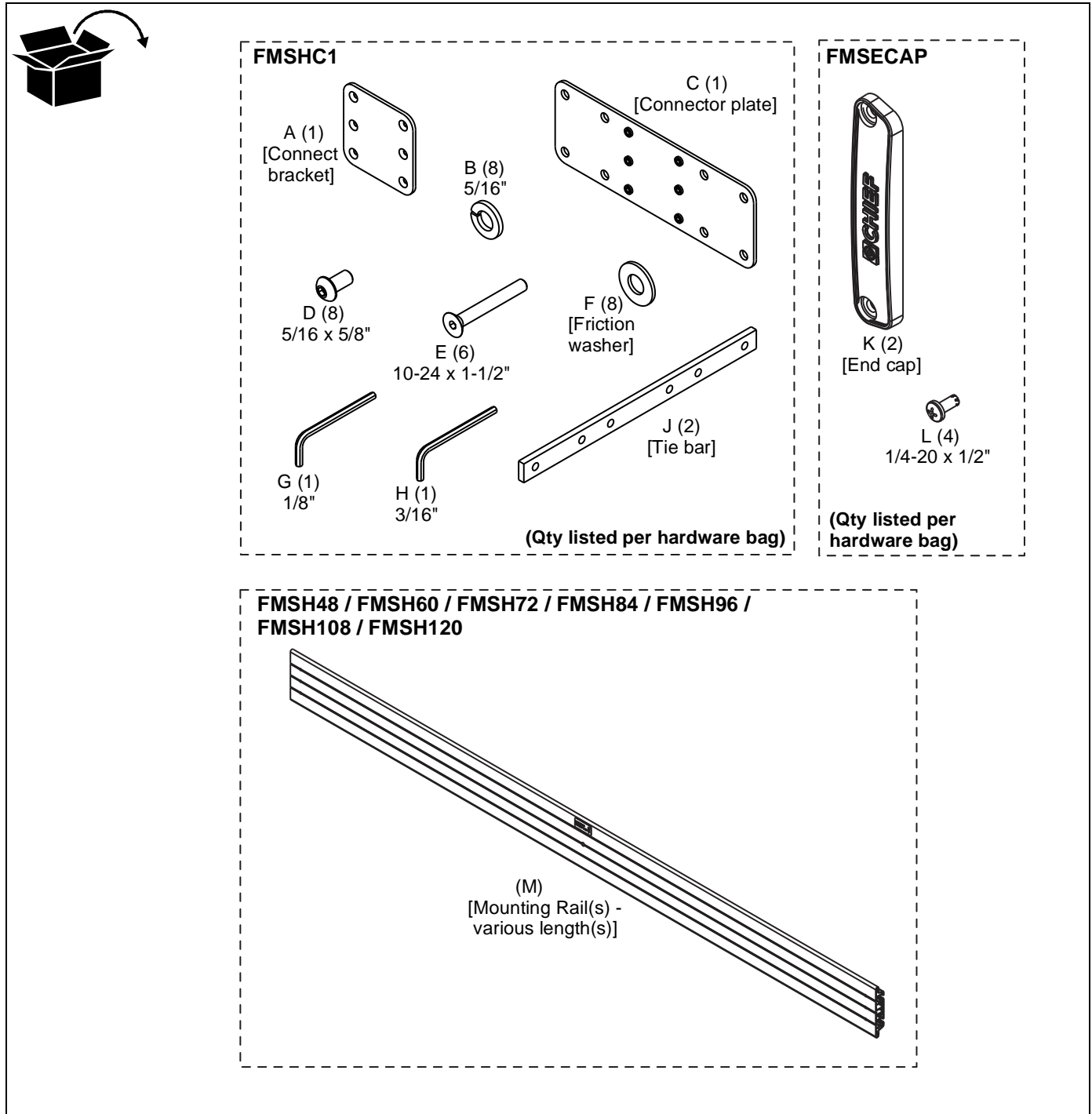
LEGEND

	<p>Tighten Fastener</p> <p>Apretar elemento de fijación</p> <p>Befestigungsteil festziehen</p> <p>Apertar fixador</p> <p>Serrare il fissaggio</p> <p>Bevestiging vastdraaien</p> <p>Serrez les fixations</p>		<p>Pencil Mark</p> <p>Marcar con lápiz</p> <p>Stiftmarkierung</p> <p>Marcar com lápis</p> <p>Segno a matita</p> <p>Potloodmerkteken</p> <p>Marquage au crayon</p>
	<p>Loosen Fastener</p> <p>Aflojar elemento de fijación</p> <p>Befestigungsteil lösen</p> <p>Desapertar fixador</p> <p>Allentare il fissaggio</p> <p>Bevestiging losdraaien</p> <p>Desserrez les fixations</p>		<p>Drill Hole</p> <p>Perforar</p> <p>Bohrloch</p> <p>Fazer furo</p> <p>Praticare un foro</p> <p>Gat boren</p> <p>Percez un trou</p>
	<p>Phillips Screwdriver</p> <p>Destornillador Phillips</p> <p>Kreuzschlitzschraubendreher</p> <p>Chave de fendas Phillips</p> <p>Cacciavite a stella</p> <p>Kruiskopschroevendraaier</p> <p>Tournevis à pointe cruciforme</p>		<p>Adjust</p> <p>Ajustar</p> <p>Einstellen</p> <p>Ajustar</p> <p>Regolare</p> <p>Afstellen</p> <p>Ajuster</p>
	<p>Open-Ended Wrench</p> <p>Llave de boca</p> <p>Gabelschlüssel</p> <p>Chave de bocas</p> <p>Chiave a punte aperte</p> <p>Steeksleutel</p> <p>Clé à fourche</p>		<p>Remove</p> <p>Quitar</p> <p>Entfernen</p> <p>Remover</p> <p>Rimuovere</p> <p>Verwijderen</p> <p>Retirez</p>
	<p>By Hand</p> <p>A mano</p> <p>Von Hand</p> <p>Com a mão</p> <p>A mano</p> <p>Met de hand</p> <p>À la main</p>		<p>Optional</p> <p>Opcional</p> <p>Optional</p> <p>Opcional</p> <p>Opzionale</p> <p>Optie</p> <p>En option</p>
	<p>Hex-Head Wrench</p> <p>Llave de cabeza hexagonal</p> <p>Sechskantschlüssel</p> <p>Chave de cabeça sextavada</p> <p>Chiave esagonale</p> <p>Zeskantsleutel</p> <p>Clé à tête hexagonale</p>		<p>Security Wrench</p> <p>Llave de seguridad</p> <p>Sicherheitsschlüssel</p> <p>Chave de segurança</p> <p>Chiave di sicurezza</p> <p>Veiligheidsleutel</p> <p>Clé de sécurité</p>

TOOLS REQUIRED FOR INSTALLATION



PARTS



CONNECTING MOUNTING RAILS

IMPORTANT ! : If using a single length of mounting rail, proceed to **Attaching End Caps** section. If using more than one length of mounting rail, proceed to **Step 1**.

1. Insert two tie bars (J) into the slots on one section of mounting rail (M). (See Figure 1)

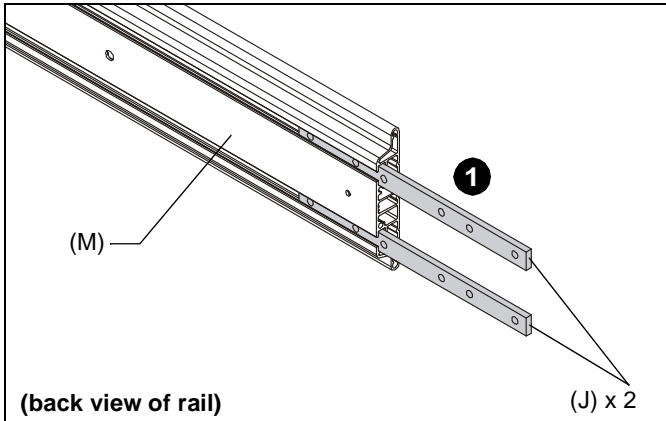


Figure 1

2. Secure connect bracket (A) to front of mounting rail (M) using three 10-24 x 1-1/2" flat head cap screws (E) fastened through one side of connect bracket, mounting rail, tie bars (J) and into connector plate (C). (See Figure 2)

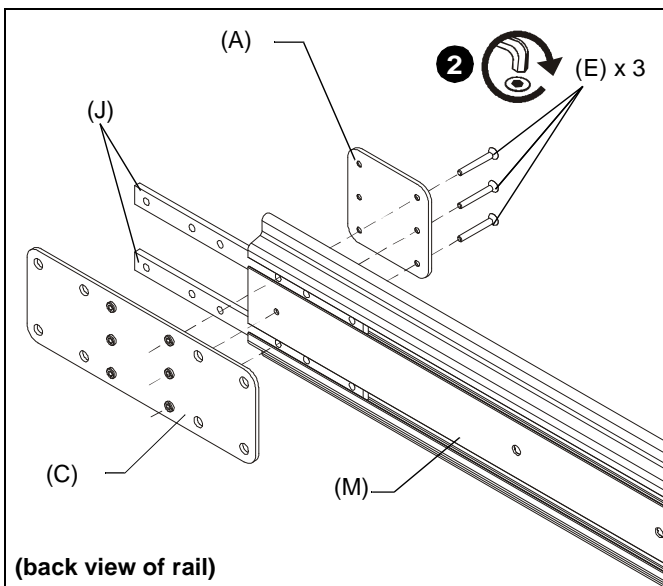


Figure 2

3. Additionally fasten connector plate (C) using four 5/16 x 5/8" button head cap screws (D), four 5/16" split washers (B), and four friction washers (F). (See Figure 3)

4. Slide second section of mounting rail (M) over tie bars (J) and bring it flush to first section of mounting rail. (See Figure 3)

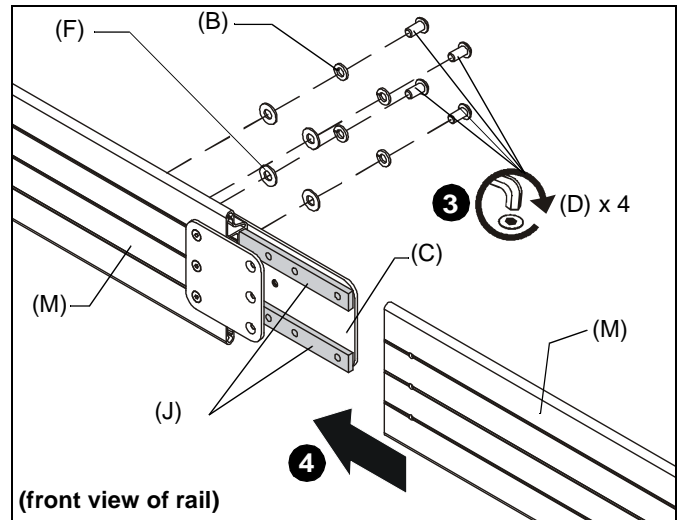


Figure 3

5. Secure connect bracket (A) to front of second section of mounting rail (M) using three 10-24 x 1-1/2" flat head cap screws (E) fastened through one side of connect bracket, mounting rail, tie bars (J) and into connector plate (C). (See Figure 4)
6. Additionally fasten connector plate (C) using four 5/16 x 5/8" button head cap screws (D), four 5/16" split washers (B), and four friction washers (F). (See Figure 4)

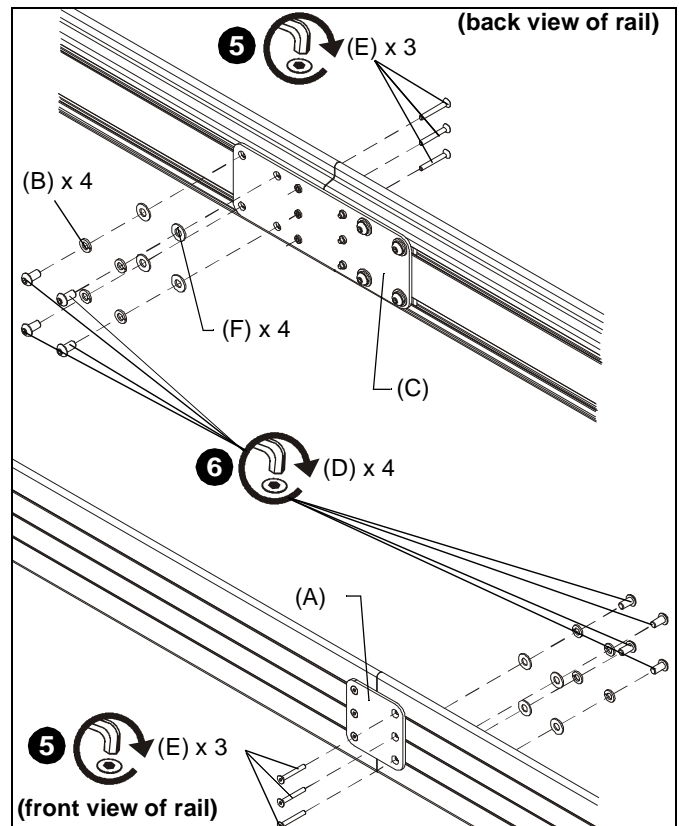


Figure 4



205 Westwood Ave, Long Branch, NJ 07740
 Phone: 866-94 BOARDS (26273) / (732)-222-1511
 Fax: (732)-222-7088 | E-mail: sales@touchboards.com

ATTACHING END CAPS

1. Attach one end cap (K) with two 1/4-20 x 1/2" Phillips head screws (L) to end of mounting rail (M). (See Figure 5)

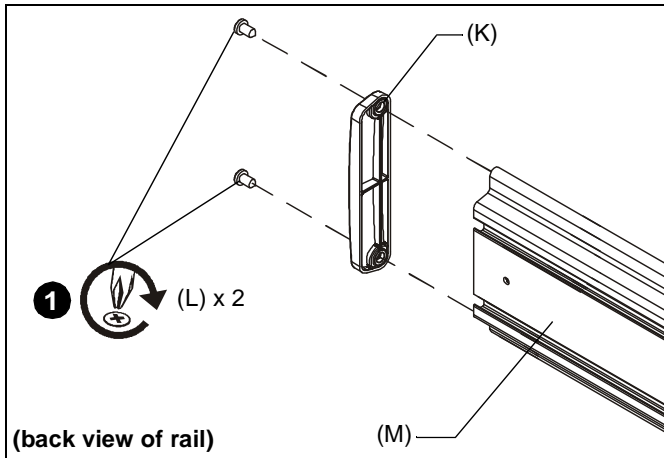


Figure 5

2. Proceed to **FMSWA/FMSWM or FMSCM/FMSCA installation instructions** for attaching mounting rails to wall brackets or ceiling heads.
3. Attach one remaining end cap (K) with two 1/4-20 x 1/2" Phillips head screws (L) to end of mounting rail (M). (See Figure 6)

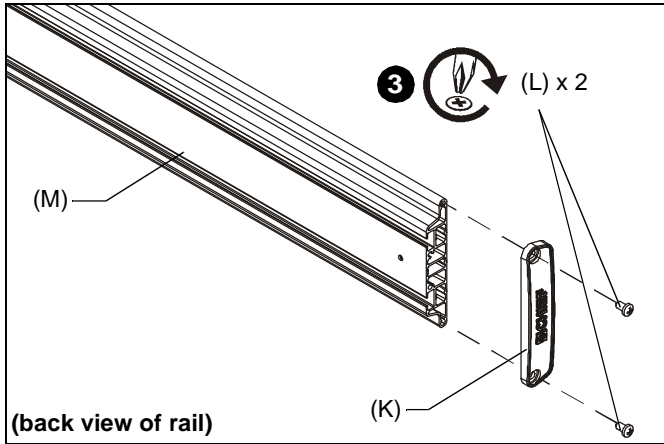


Figure 6

Touchboards

205 Westwood Ave, Long Branch, NJ 07740
Phone: 866-94 BOARDS (26273) / (732)-222-1511
Fax: (732)-222-7088 | E-mail: sales@touchboards.com



Our Mounts. **Your Vision.**

Chief, a products division of
Milestone AV Technologies

8800-002821 Rev00
©2016 Milestone AV Technologies
www.milestone.com
06/16

USA/International	A 6436 City West Parkway, Eden Prairie, MN 55344 P 800.582.6480 / 952.225.6000 F 877.894.6918 / 952.894.6918
Europe	A Franklinstraat 14, 6003 DK Weert, Netherlands P +31 (0) 495 580 852 F +31 (0) 495 580 845
Asia Pacific	A Office No. 918 on 9/F, Shatin Galleria 18-24 Shan Mei Street Fotan, Shatin, Hong Kong P 852 2145 4099 F 852 2145 4477

