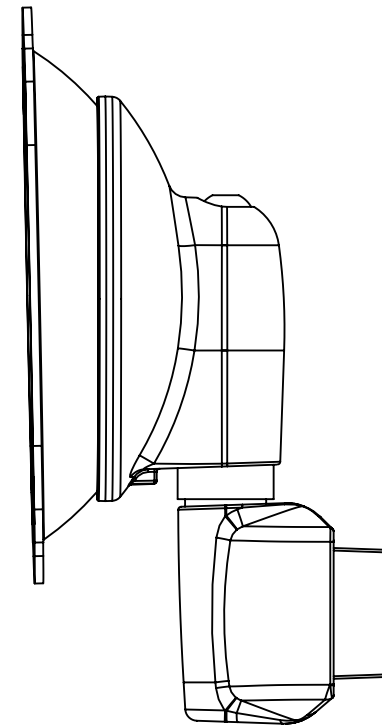
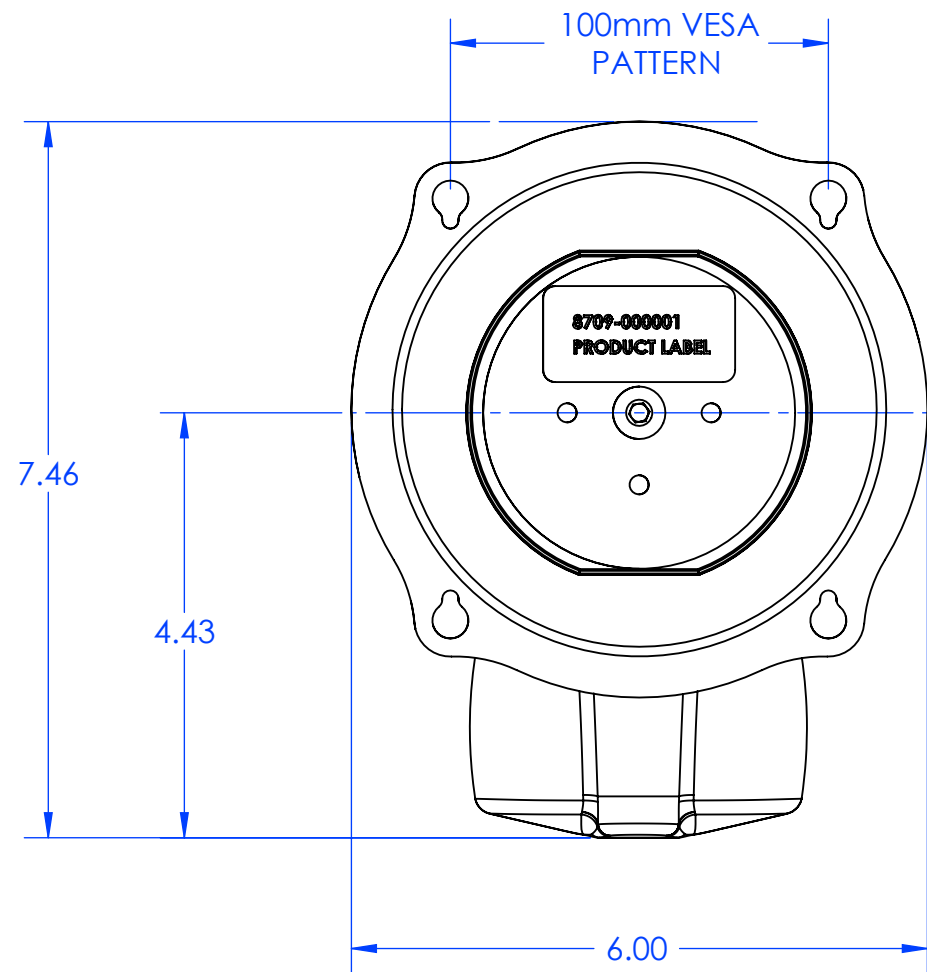



UP-DOWN TILT $\pm 15^\circ$
LEFT-RIGHT SWIVEL $\pm 75^\circ$



THE INFORMATION AND DESIGNS CONTAINED IN THIS DRAWING ARE CONFIDENTIAL AND THE PROPRIETARY PROPERTY OF CHIEF MFG., INC. NEITHER THIS DESIGN NOR ANY INFORMATION CONTAINED IN THIS DRAWING MAY BE REPRODUCED OR DISCLOSED TO OTHERS WITHOUT THE EXPRESS WRITTEN CONSENT OF CHIEF MFG., INC.

CAD GENERATED DRAWING. DO NOT MANUALLY UPDATE		 CHIEF 8401 EAGLE CREEK PKY SAVAGE, MN 55378 PHONE: 952-894-6280 FAX: 877-894-6918
DATE	08/06/07	
DESIGNER	PJO	TITLE JPP ASSEMBLY TECH
DETAILER	PJO	
RESP ENG	PJO	
SHEET 3 OF 3	SIZE B	DWG. NO. 9025-000421
		REV. 00