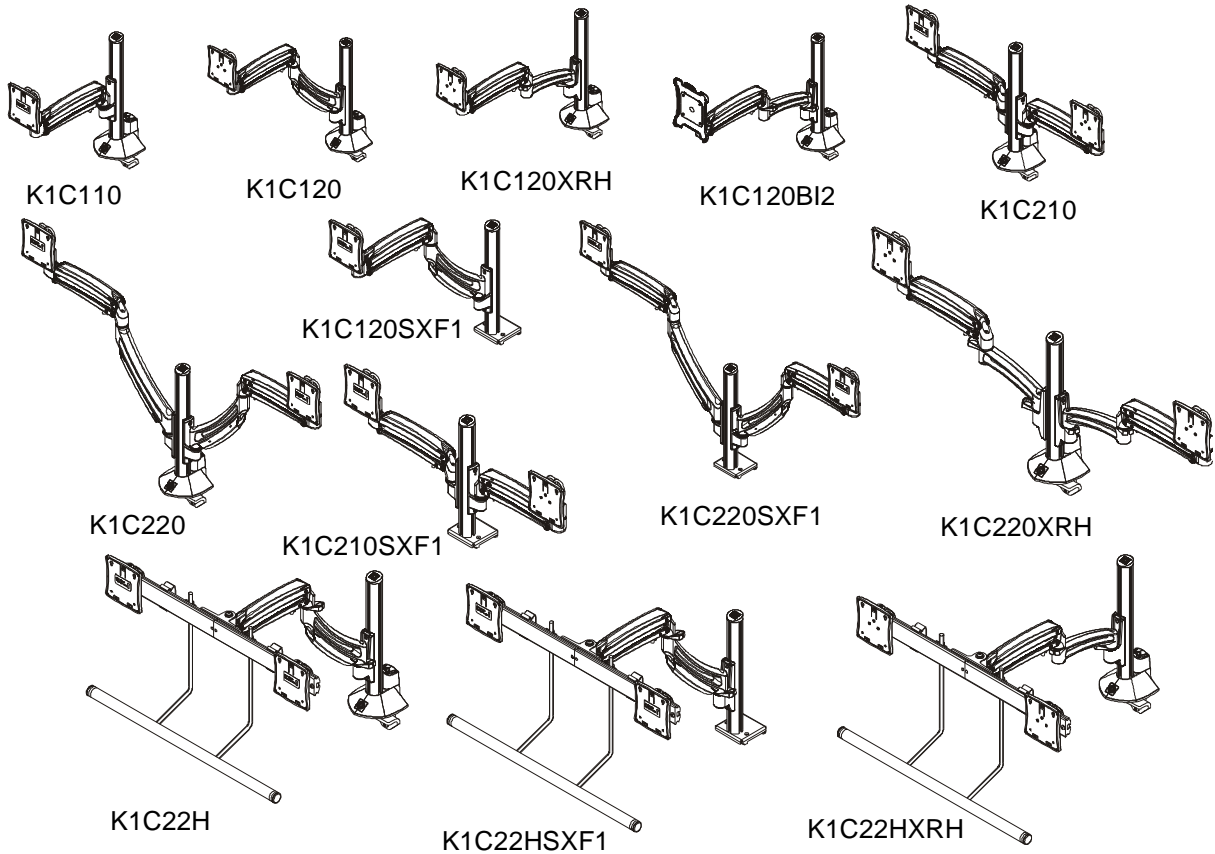


INSTALLATION INSTRUCTIONS



K1 Column Mounts

Touchboards

205 Westwood Ave, Long Branch, NJ 07740
Phone: 866-94 BOARDS (26273) / (732)-222-1511
Fax: (732)-222-7088 | E-mail: sales@touchboards.com

CHIEF
Our Mounts. Your Vision.

K1C Series

DISCLAIMER

Milestone AV Technologies and its affiliated corporations and subsidiaries (collectively “Milestone”), intend to make this manual accurate and complete. However, Milestone makes no claim that the information contained herein covers all details, conditions or variations, nor does it provide for every possible contingency in connection with the installation or use of this product. The information contained in this document is subject to change without notice or obligation of any kind. Milestone makes no representation of warranty, expressed or implied, regarding the information contained herein. Milestone assumes no responsibility for accuracy, completeness or sufficiency of the information contained in this document.


Chief® is a registered trademark of Milestone AV Technologies. All rights reserved.


DEFINITIONS

MOUNTING SYSTEM: A MOUNTING SYSTEM is the primary Chief product to which an accessory and/or component is attached.


ACCESSORY: AN ACCESSORY is the secondary Chief product which is attached to a primary Chief product, and may have a component attached or setting on it.


COMPONENT: A COMPONENT is an audiovisual item designed to be attached or resting on an accessory or mounting system such as a video camera, CPU, screen, display, projector, etc.


 **WARNING:** A WARNING alerts you to the possibility of serious injury or death if you do not follow the instructions.


 **CAUTION:** A CAUTION alerts you to the possibility of damage or destruction of equipment if you do not follow the corresponding instructions.


 **IMPORTANT SAFETY INSTRUCTIONS!**


 **WARNING:** Failure to read, thoroughly understand, and follow all instructions can result in serious personal injury, damage to equipment, or voiding of factory warranty! It is the installer’s responsibility to make sure all mounting systems/ accessories are properly assembled and installed using the instructions provided.

 **WARNING:** Failure to provide adequate structural strength for this mounting system can result in serious personal injury or damage to equipment! It is the installer’s responsibility to make sure the structure to which this component is attached can support five times the combined weight of all equipment. Reinforce the structure as required before installing the component.

 **WARNING:** Use this mounting system only for its intended use as described in these instructions. Do not use attachments not recommended by the manufacturer.

 **WARNING:** Never operate this mounting system if it is damaged. Return the mounting system to a service center for examination and repair.

 **WARNING:** Do not use this product outdoors.

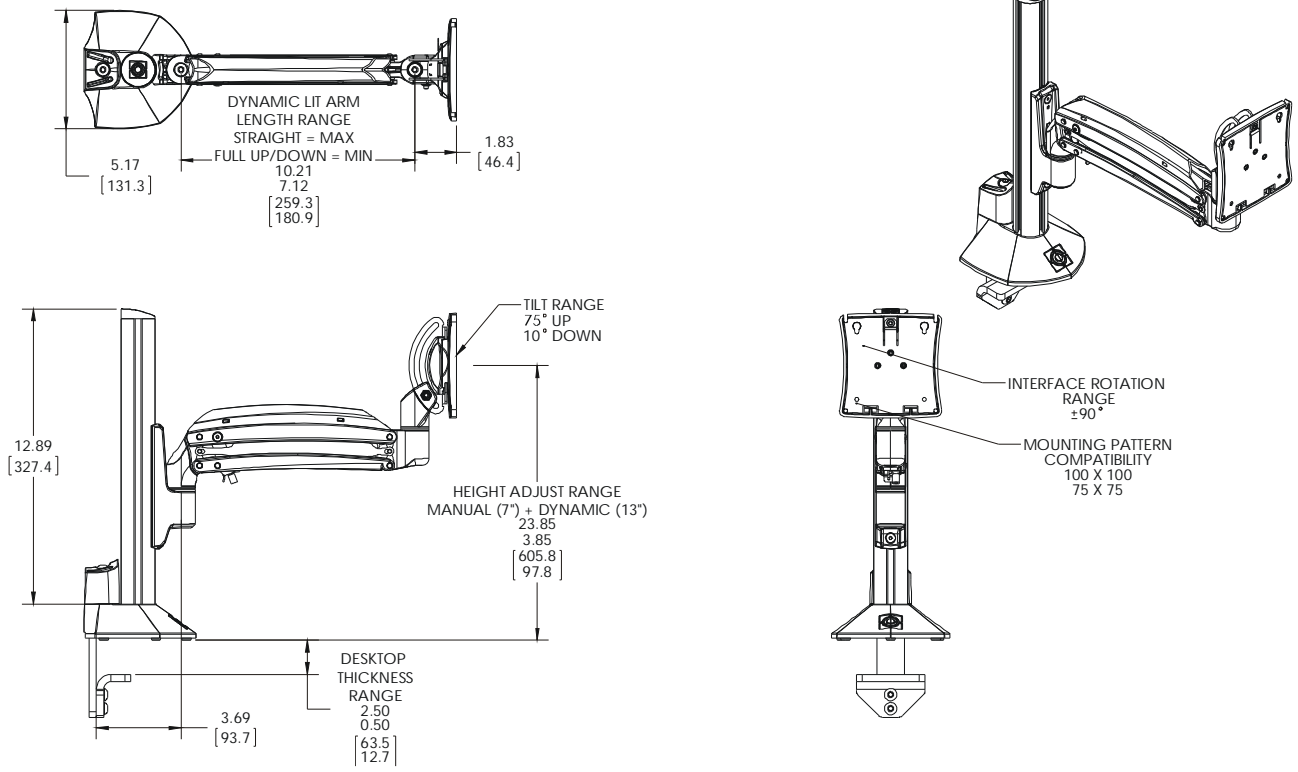
 **WARNING:** Exceeding the weight capacity can result in serious personal injury or damage to equipment! It is the installer’s responsibility to make sure the combined weight of all components located between the K1C Series Monitor Arm and the desk up to (and including) the display does not the weight limits listed in the table below. Use with products heavier than the maximum weight indicated may result in collapse of the mount and its accessories causing possible injury.

MODEL	Max Weight Allowed for EACH Display	Max Weight Capacity of Mounting System
K1C110	25 lbs (11.34 kg)	25 lbs (11.34 kg)
K1C120	25 lbs (11.34 kg)	25 lbs (11.34 kg)
K1C120XRH	25 lbs (11.34 kg)	25 lbs (11.34 kg)
K1C120BI2	2 lbs (0.9 kg)	2 lbs (0.9 kg)
K1C210	25 lbs (11.34 kg)	50 lbs (22.68 kg)
K1C220	25 lbs (11.34 kg)	50 lbs (22.68 kg)
K1C120SXF1	25 lbs (11.34 kg)	25 lbs (11.34 kg)
K1C210SXF1	25 lbs (11.34 kg)	50 lbs (22.68 kg)
K1C220SXF1	25 lbs (11.34 kg)	50 lbs (22.68 kg)
K1C220XRH	25 lbs (11.34 kg)	50 lbs (22.68 kg)
K1C22H	9 lbs (4.08 kg)	18 lbs (8.16 kg)
K1C22HSXF1	9 lbs (4.08 kg)	18 lbs (8.16 kg)
K1C22HXRH	9 lbs (4.08 kg)	18 lbs (8.16 kg)

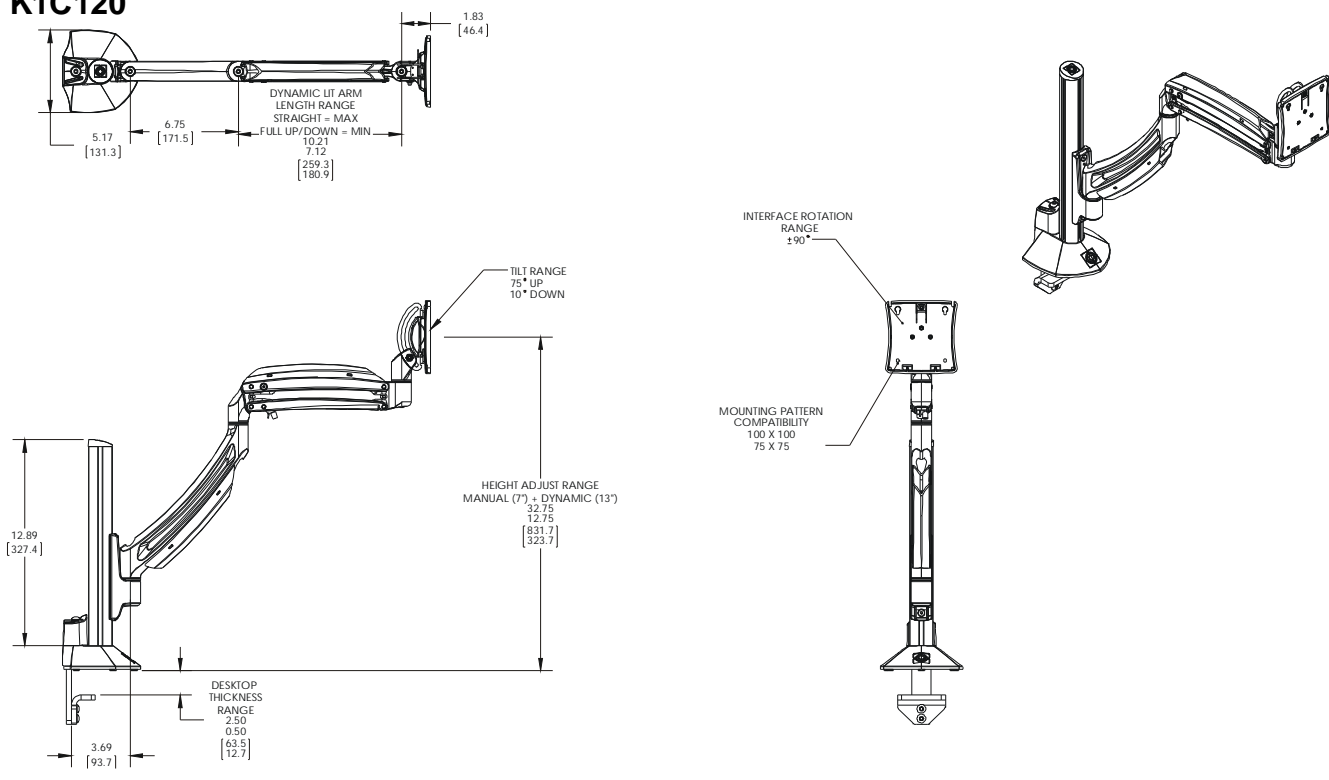
--SAVE THESE INSTRUCTIONS!--

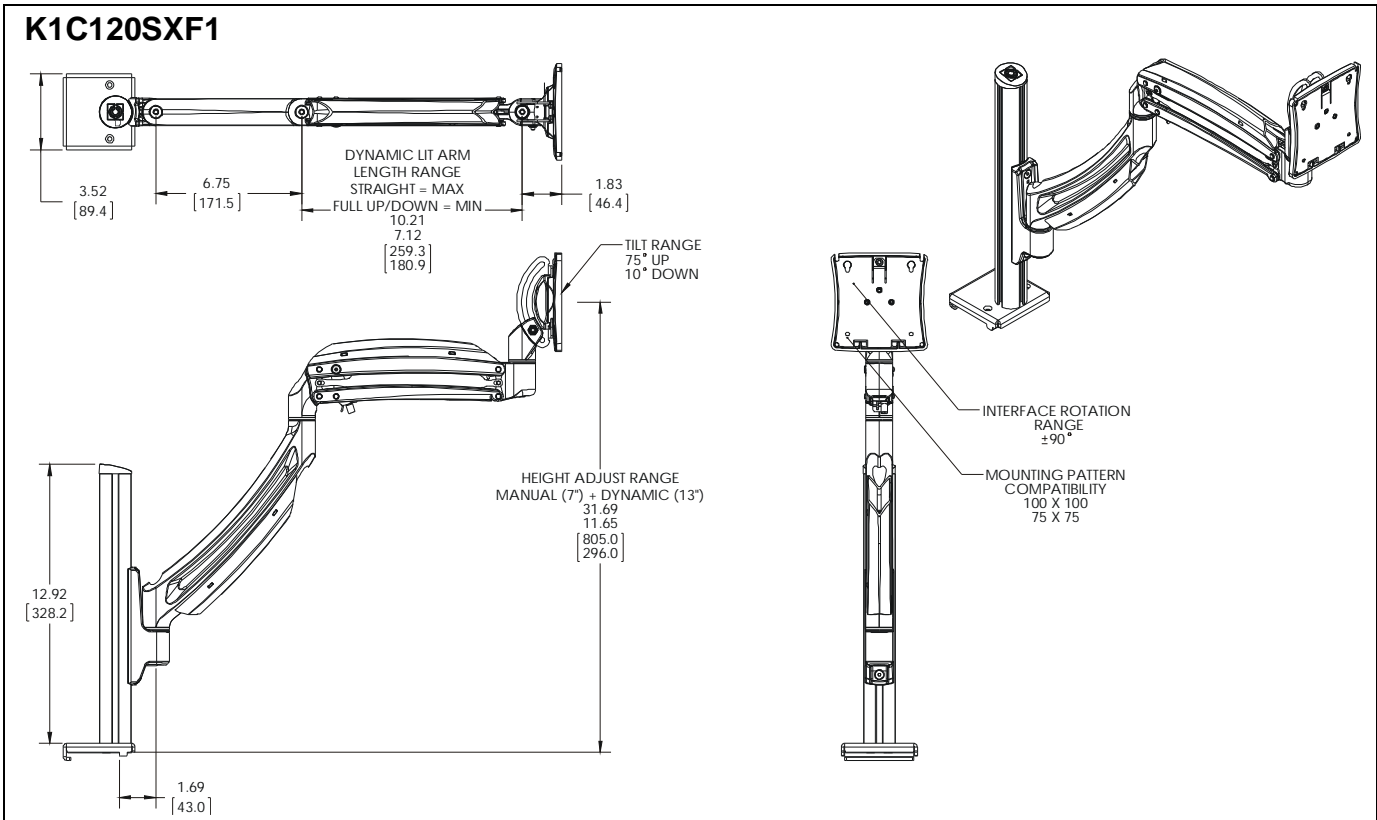
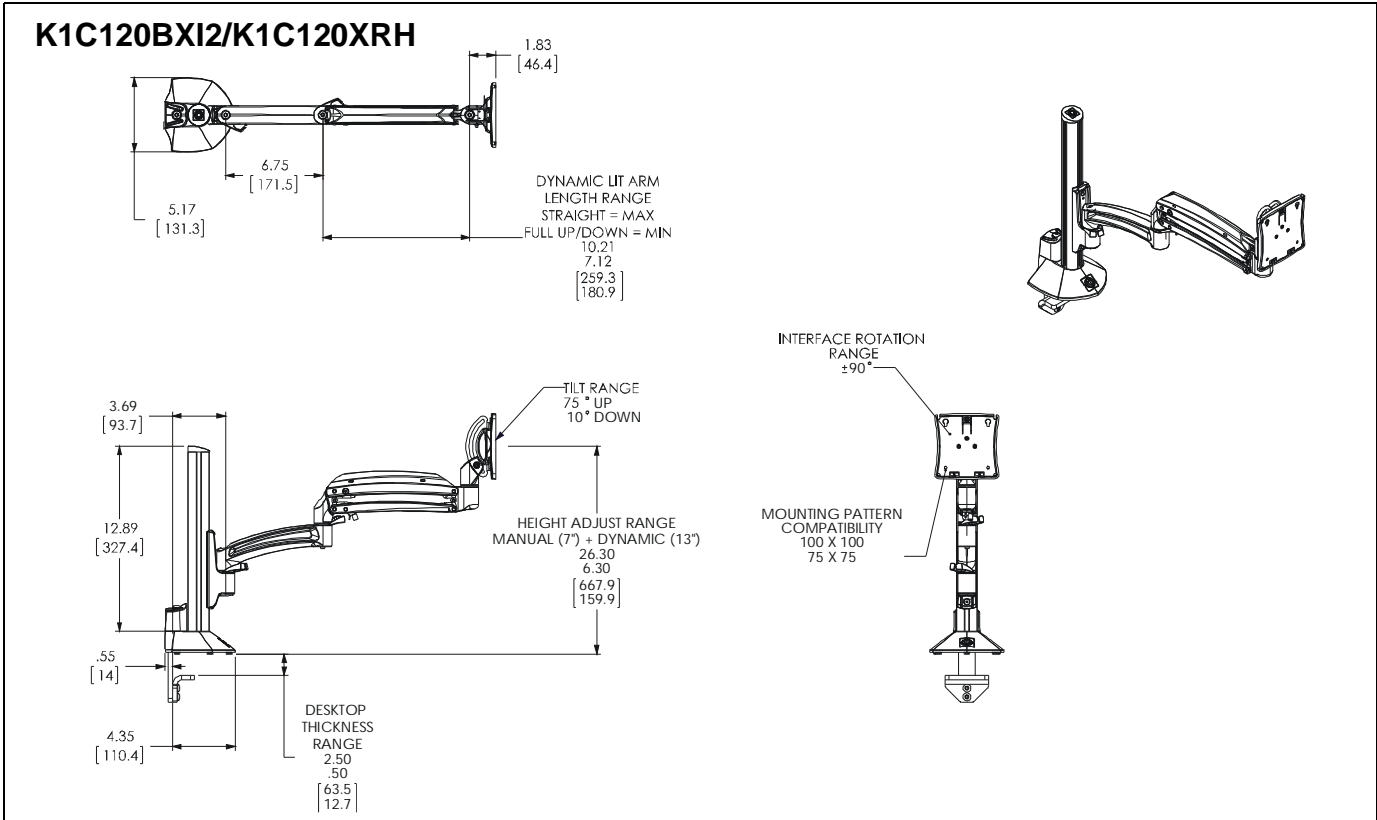
DIMENSIONS

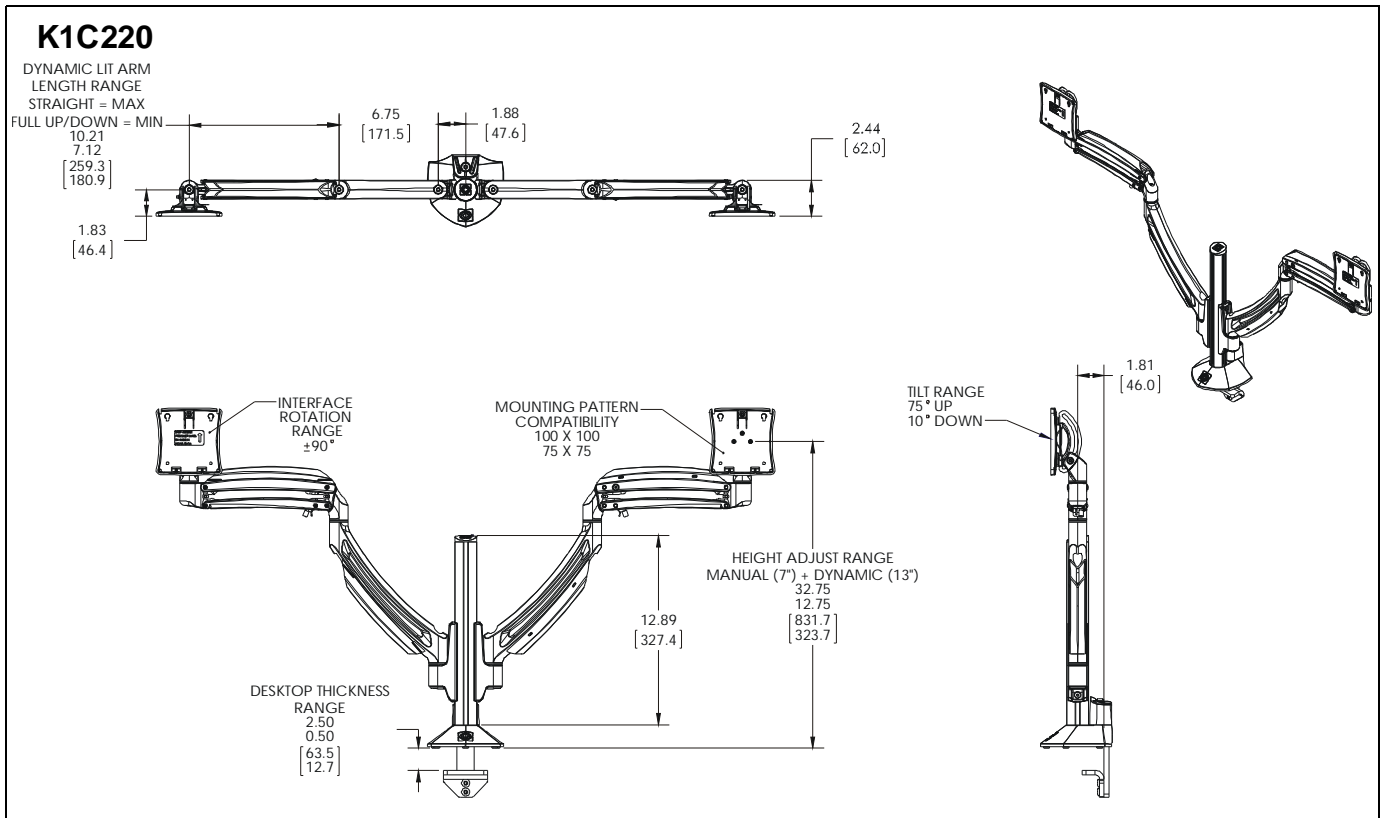
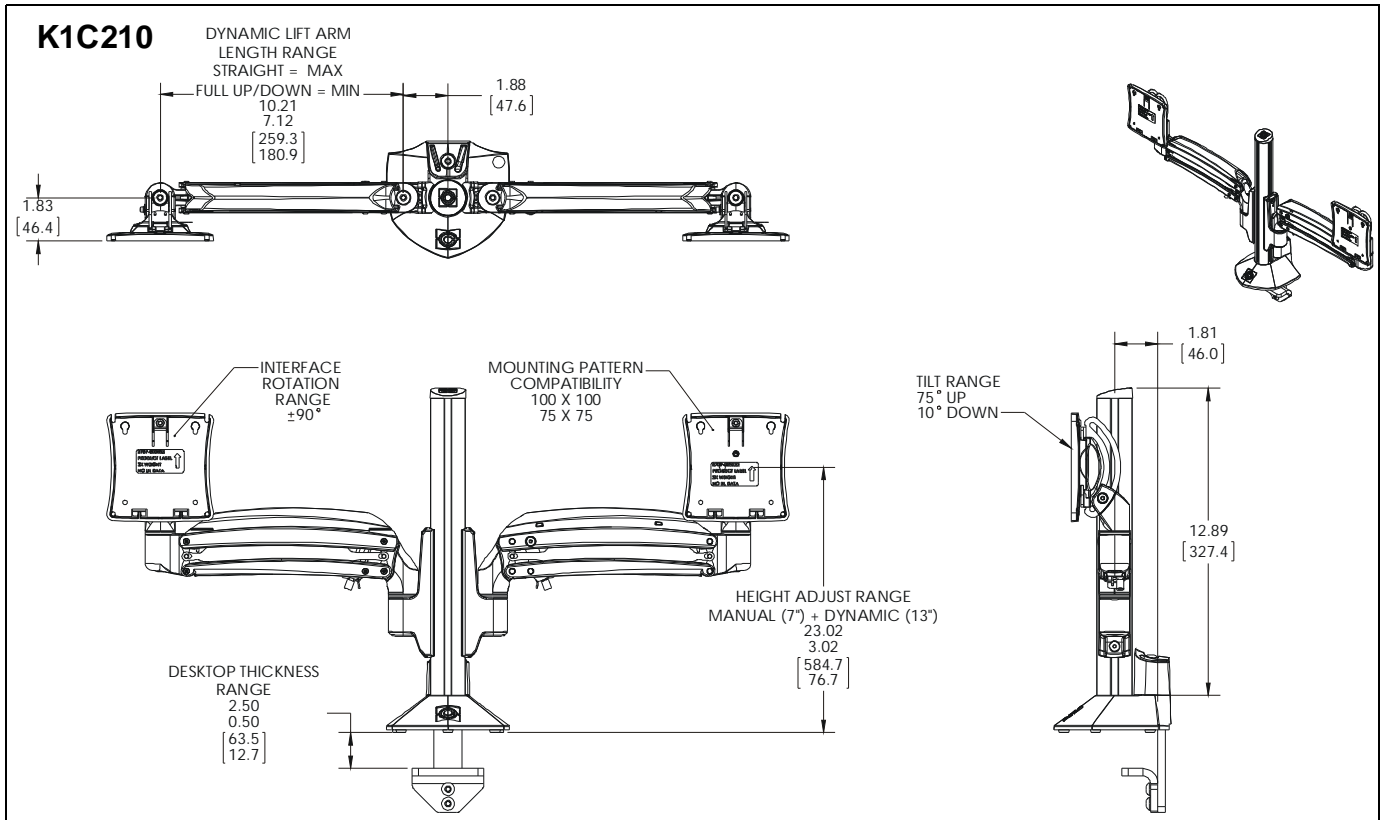
K1C110

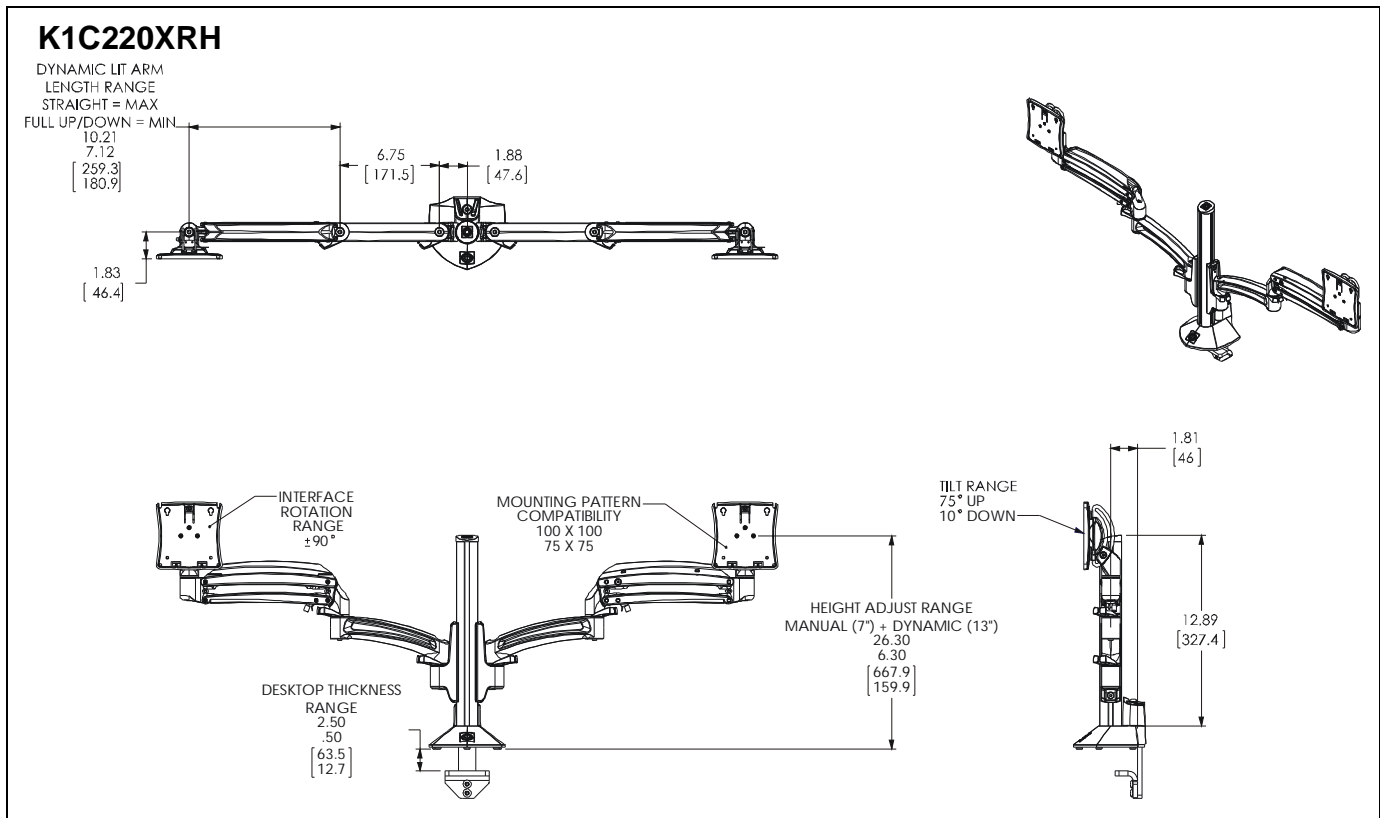
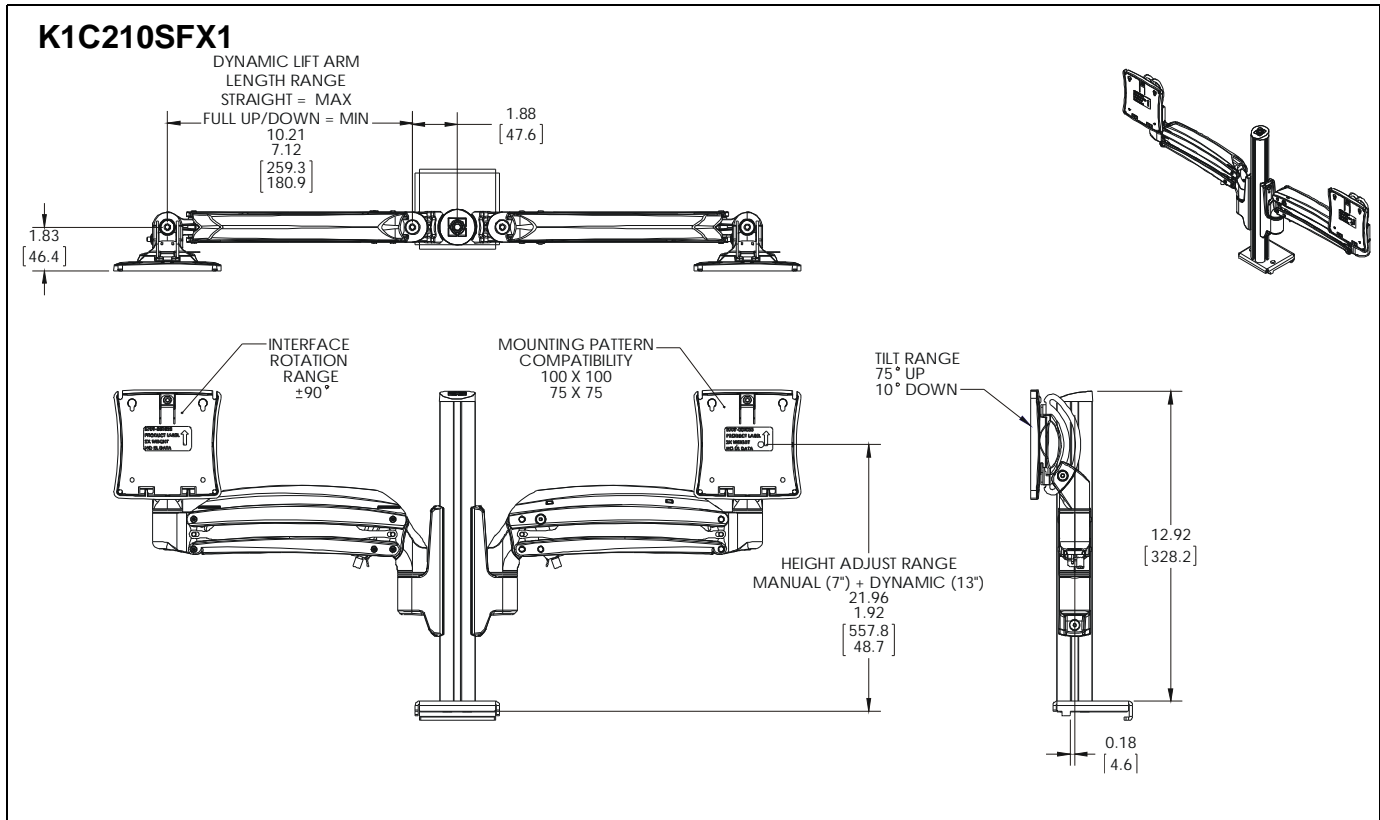


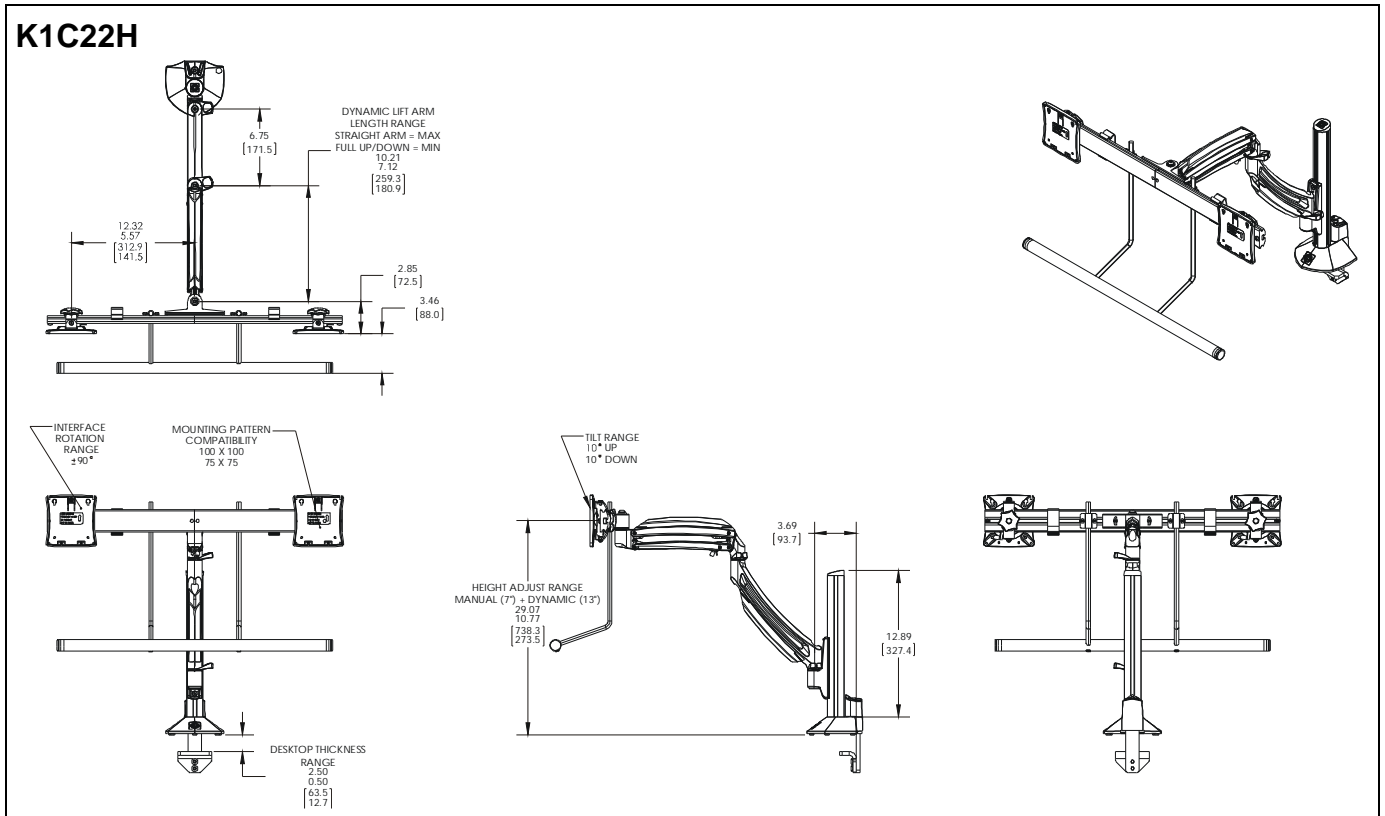
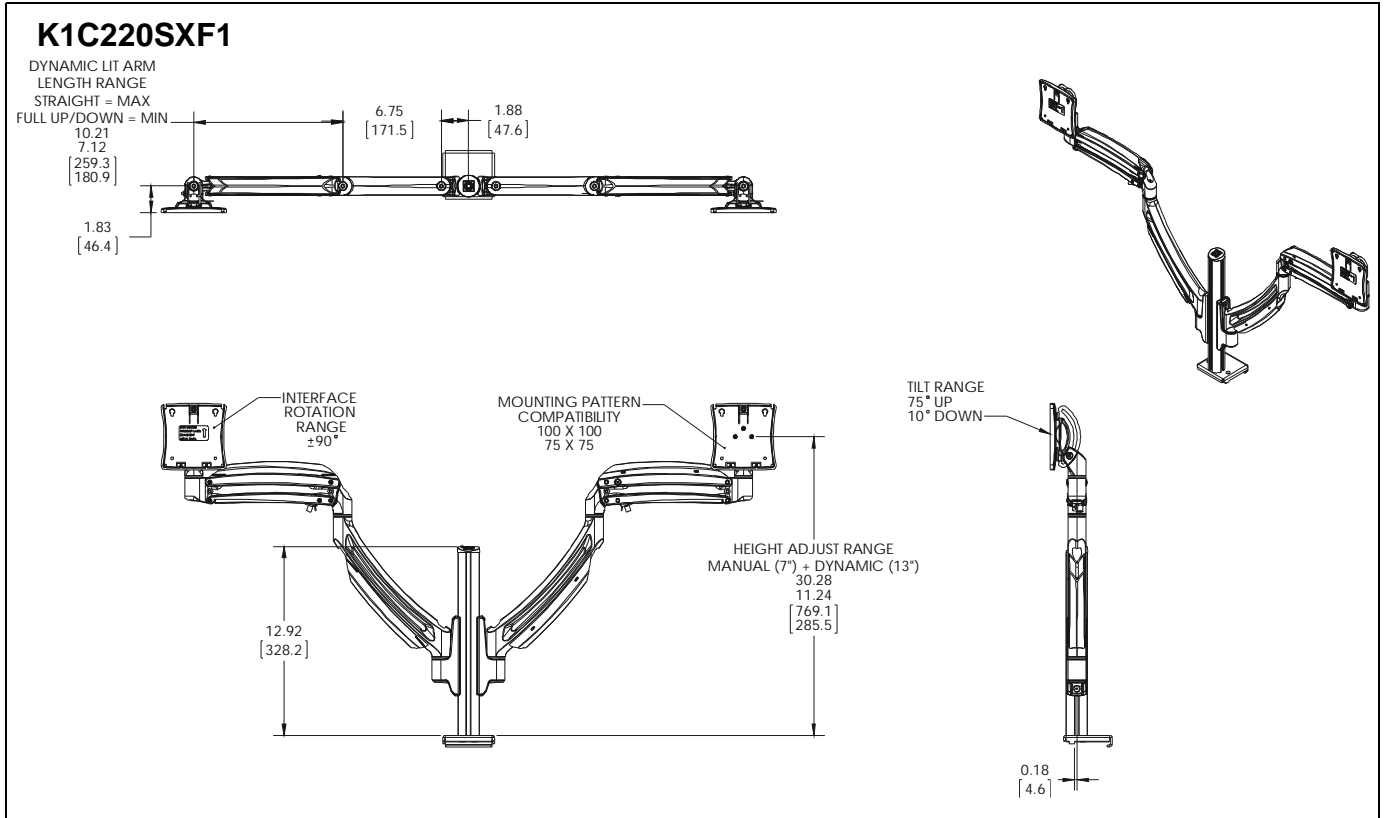
K1C120

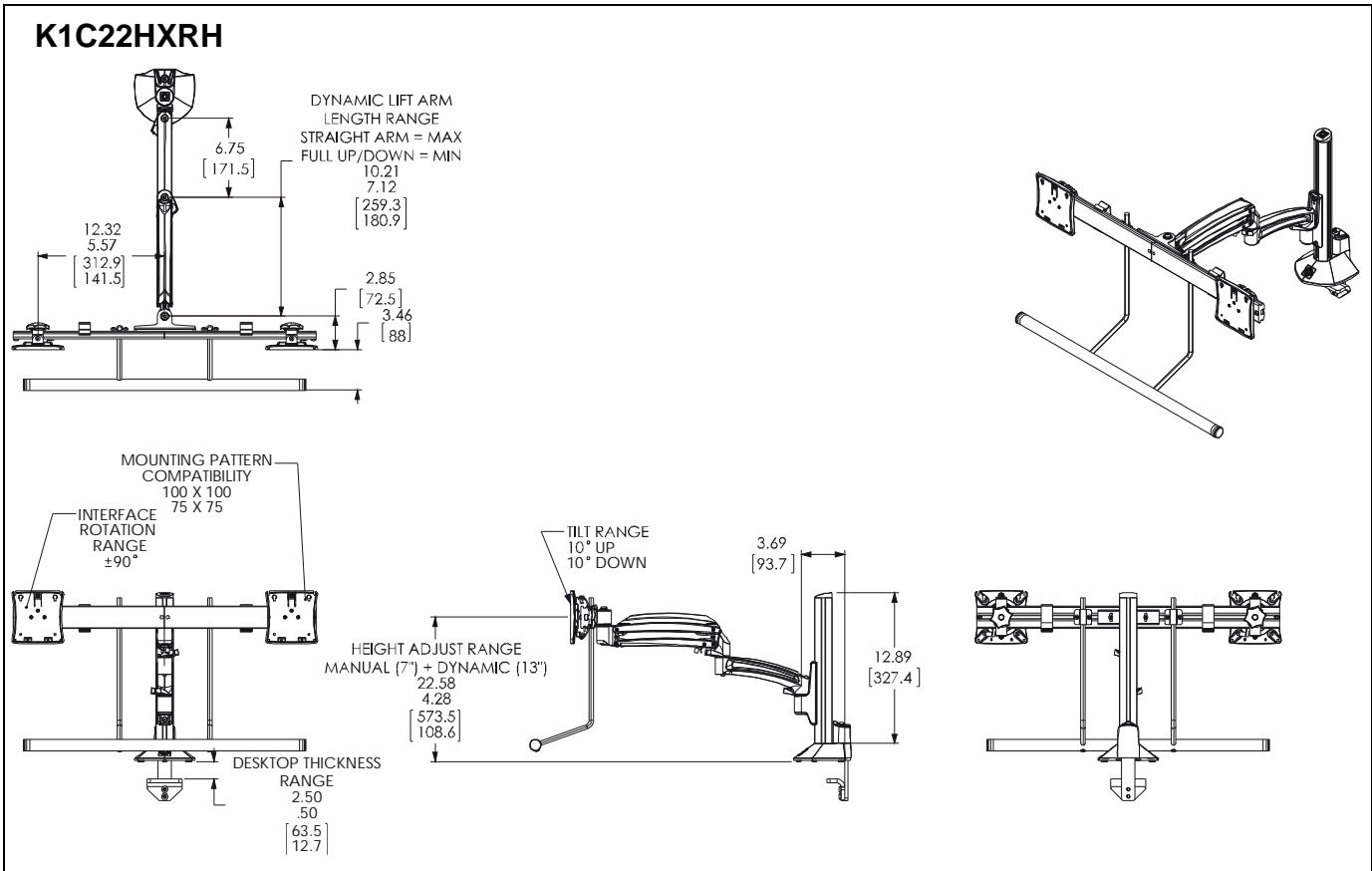
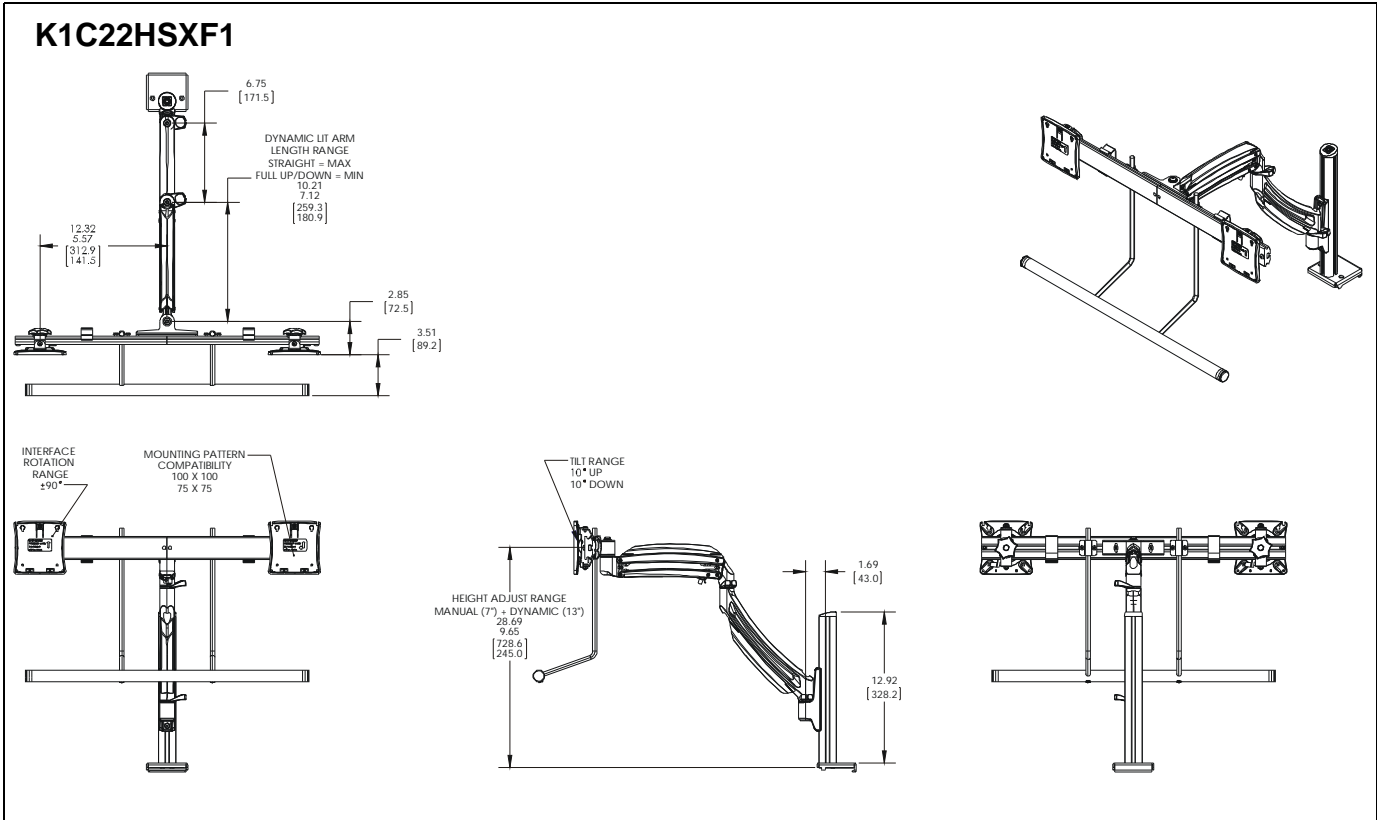




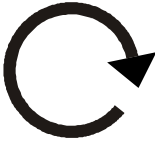

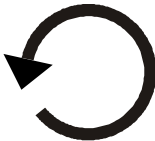













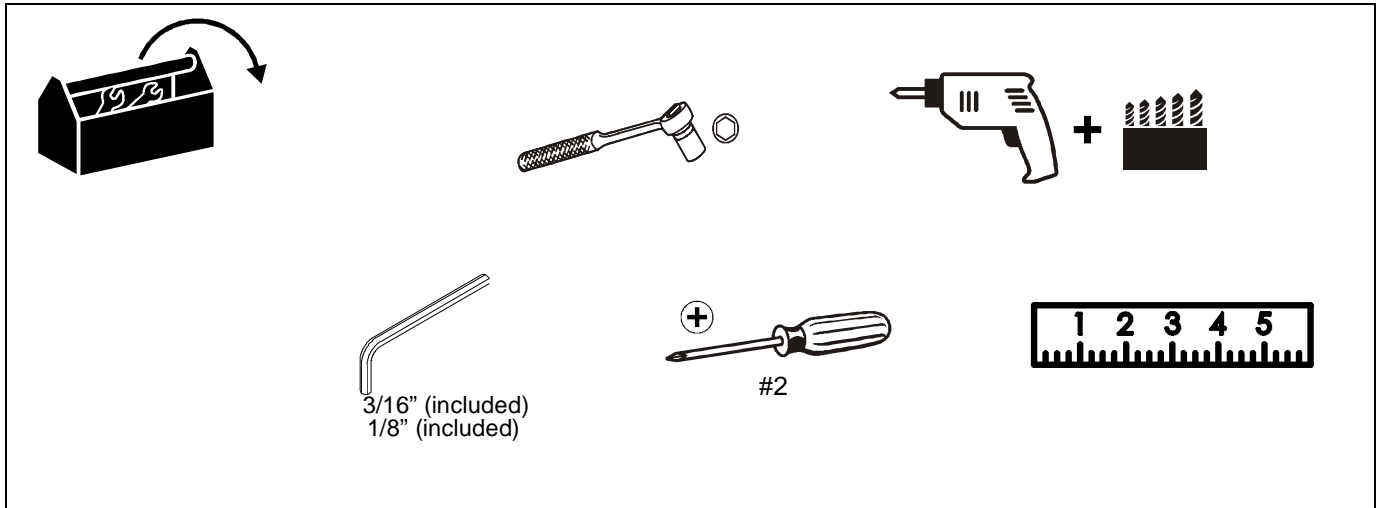




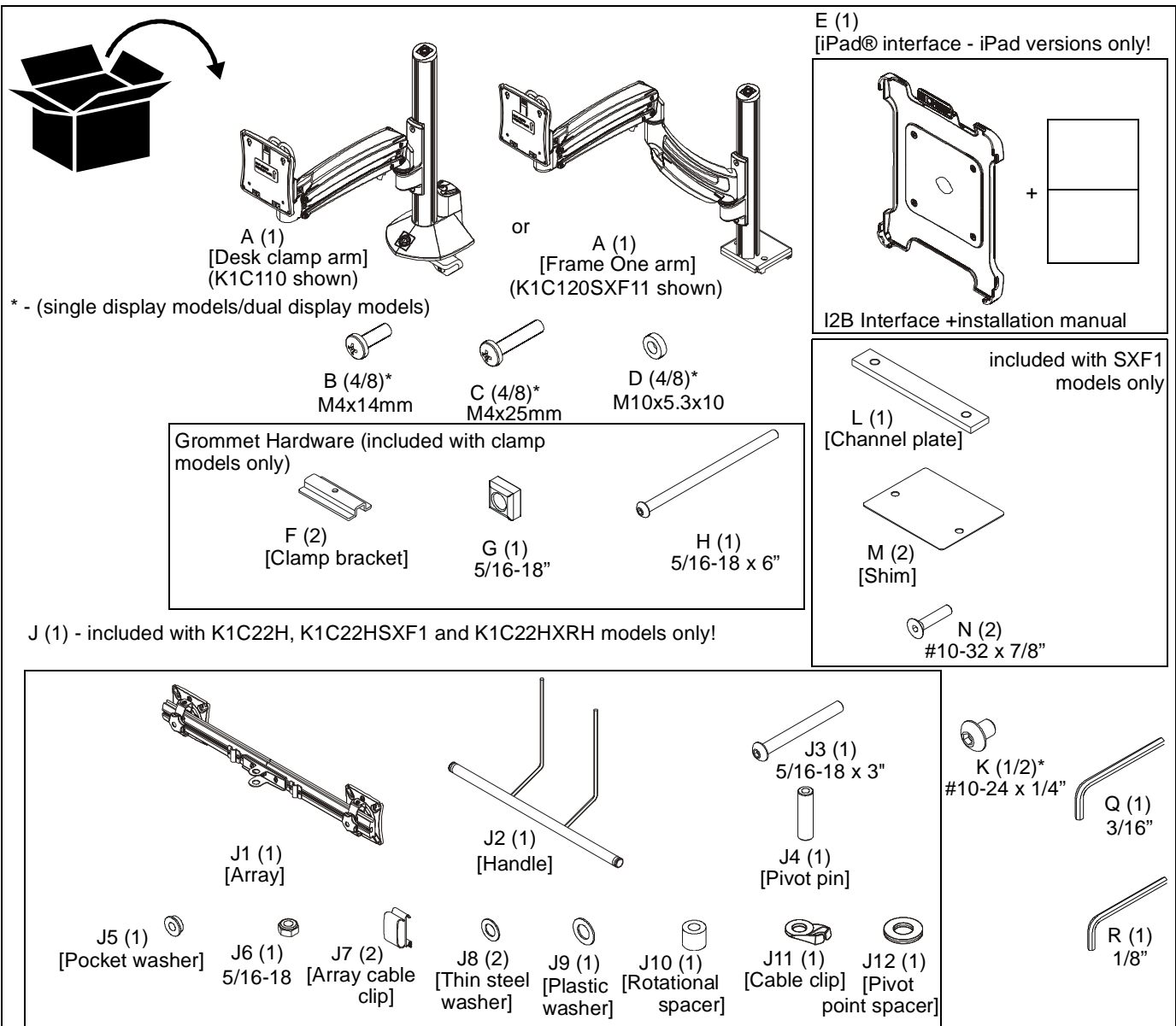
LEGEND

	<p>Tighten Fastener</p> <p>Apretar elemento de fijación</p> <p>Befestigungsteil festziehen</p> <p>Apertar fixador</p> <p>Serrare il fissaggio</p> <p>Bevestiging vastdraaien</p> <p>Serrez les fixations</p>		<p>Pencil Mark</p> <p>Marcar con lápiz</p> <p>Stiftmarkierung</p> <p>Marcar com lápis</p> <p>Segno a matita</p> <p>Potloodmerkteken</p> <p>Marquage au crayon</p>
	<p>Loosen Fastener</p> <p>Aflojar elemento de fijación</p> <p>Befestigungsteil lösen</p> <p>Desapertar fixador</p> <p>Allentare il fissaggio</p> <p>Bevestiging losdraaien</p> <p>Desserrez les fixations</p>		<p>Drill Hole</p> <p>Perforar</p> <p>Bohrloch</p> <p>Fazer furo</p> <p>Praticare un foro</p> <p>Gat boren</p> <p>Percez un trou</p>
	<p>Phillips Screwdriver</p> <p>Destornillador Phillips</p> <p>Kreuzschlitzschraubendreher</p> <p>Chave de fendas Phillips</p> <p>Cacciavite a stella</p> <p>Kruiskopschroevendraaier</p> <p>Tournevis à pointe cruciforme</p>		<p>Adjust</p> <p>Ajustar</p> <p>Einstellen</p> <p>Ajustar</p> <p>Regolare</p> <p>Afstellen</p> <p>Ajuster</p>
	<p>Open-Ended Wrench</p> <p>Llave de boca</p> <p>Gabelschlüssel</p> <p>Chave de bocas</p> <p>Chiave a punte aperte</p> <p>Steeksleutel</p> <p>Clé à fourche</p>		<p>Remove</p> <p>Quitar</p> <p>Entfernen</p> <p>Remover</p> <p>Rimuovere</p> <p>Verwijderen</p> <p>Retirez</p>
	<p>By Hand</p> <p>A mano</p> <p>Von Hand</p> <p>Com a mão</p> <p>A mano</p> <p>Met de hand</p> <p>À la main</p>		<p>Optional</p> <p>Opcional</p> <p>Optional</p> <p>Opcional</p> <p>Opzionale</p> <p>Optie</p> <p>En option</p>
	<p>Hex-Head Wrench</p> <p>Llave de cabeza hexagonal</p> <p>Sechskantschlüssel</p> <p>Chave de cabeça sextavada</p> <p>Chiave esagonale</p> <p>Zeskantsleutel</p> <p>Clé à tête hexagonale</p>		<p>Security Wrench</p> <p>Llave de seguridad</p> <p>Sicherheitsschlüssel</p> <p>Chave de segurança</p> <p>Chiave di sicurezza</p> <p>Veiligheidssleutel</p> <p>Clé de sécurité</p>

TOOLS REQUIRED FOR INSTALLATION



PARTS



Assembly And Installation

Connecting Desk Clamp Arms to Desk

(K1C110, K1C120, K1C120XRH, K1C120BI2, K1C210, K1C220, K1C220XRH, K1C22H, K1C22HXRH Models)

Standard Installation

1. Loosen clamp screw until enough space is created between clamp and mount to allow for desk mounting. (See Figure 1)

NOTE: If space is limited behind desk (i.e. against wall, etc.), remove lower piece of clamp and two screws holding it to the mount and reattach parts prior to Step 3! (See Figure 2)

2. Place mount on top of desk at desired mounting location. (See Figure 1)
3. Tighten clamp using clamp screw until mount is securely fastened to desk. (See Figure 1)

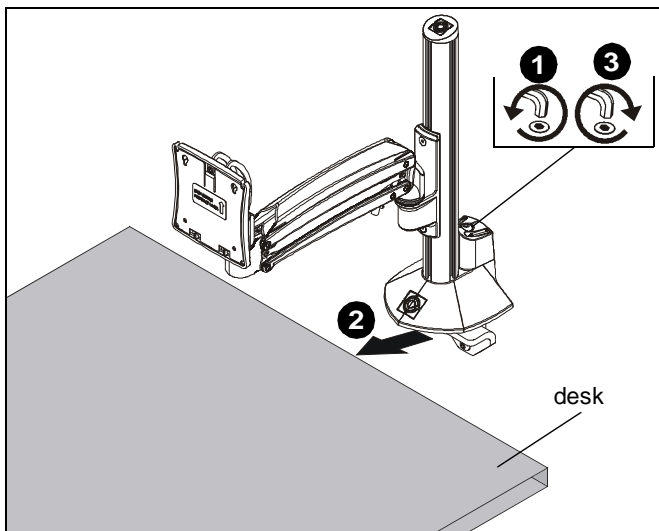


Figure 1

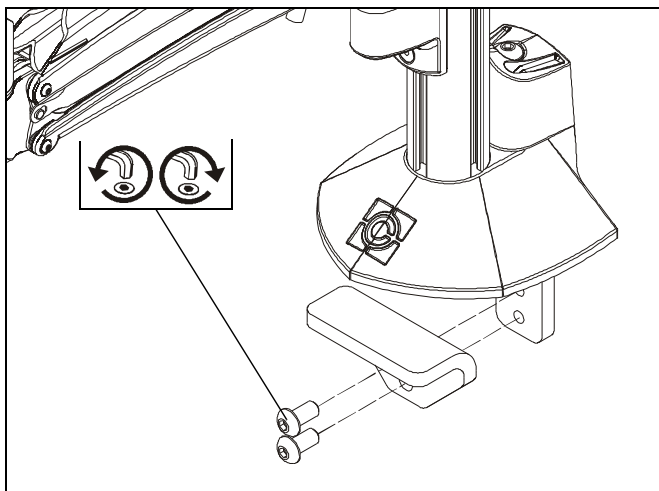


Figure 2

Grommet Hole Option

NOTE: K1C clamp mounts may be installed directly to grommet holes between 1 1/4" and 2 1/2" in diameter. If grommet hardware (F-H) is used, they can be installed to grommet holes between 3/8" and 2 1/2" in diameter.

Direct Installation

1. Remove lower piece of clamp from assembly by removing two button head cap screws holding piece to assembly. (See Figure 3)
2. Install remaining part of clamp through grommet hole. (See Figure 3)

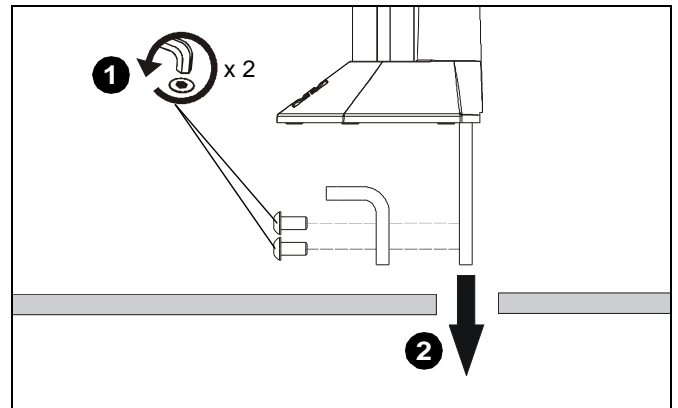


Figure 3

3. Reattach removed piece of clamp and screws to assembly. (See Figure 4)
4. Tighten clamp using clamp screw until mount is securely fastened to desk. (See Figure 4)

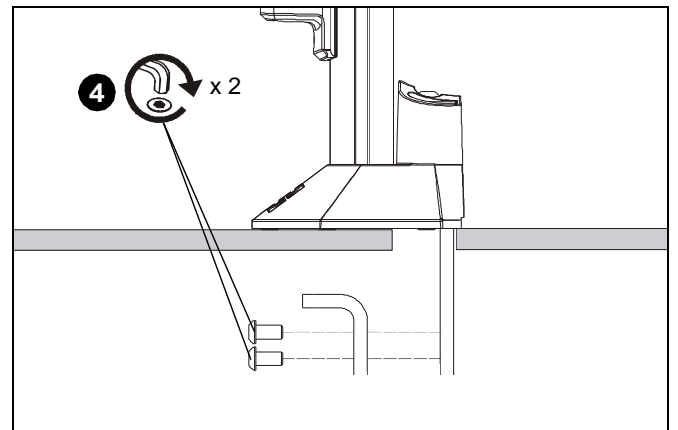


Figure 4

Using Grommet Hardware

1. Remove desk clamp from mount by loosening button head cap screw until clamp is completely disengaged from the bolt. (See Figure 5)
2. Maneuver clamp so that it is totally removed from desk mount. (See Figure 5)

NOTE: Set removed washer aside for re-use.

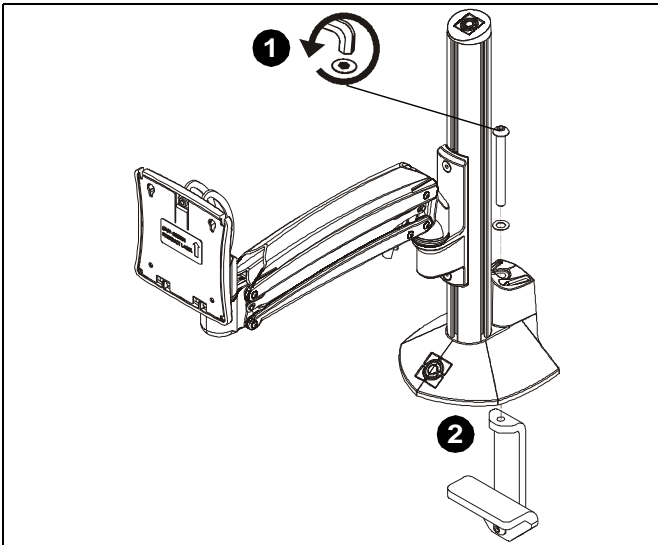


Figure 5

3. Locate a flat surface (thickness of 3/4" minimum to 3 1/2" maximum) on which to mount the column plate.
4. If mounting hole does not already exist on desk, drill 3/8" mounting hole in desk at desired mounting location.

IMPORTANT ! : Mounting hole must be between 3/8" and 2 1/2" in diameter!

5. Place mount on desk over grommet hole. (See Figure 6)
6. Use 5/16-18 x 6" button head cap screw (H), removed washer, clamp bracket (F) and 5/16-18" square nut (G) to secure mount to desk. (See Figure 6)

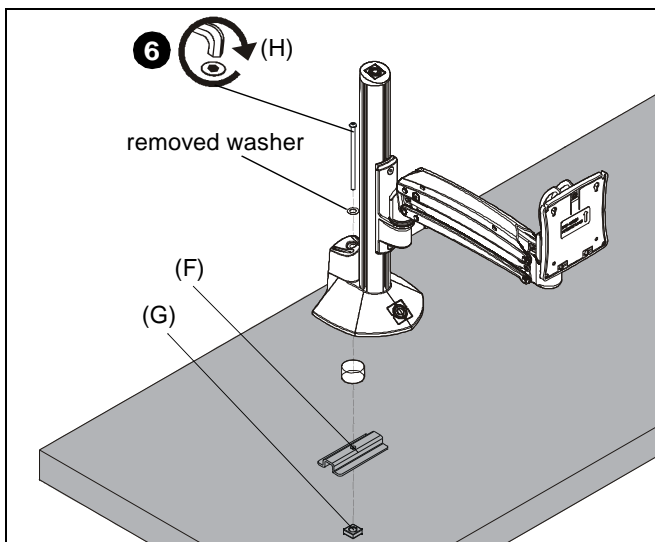


Figure 6

Assembly to Office Furniture Rail (SFX1 Models)

IMPORTANT ! : The SFX1 models are designed to be installed to Steelcase FrameOne™ office furniture rails. Do NOT attempt to install these mounts to any other type of office furniture rails!

NOTE: If mounting holes on displays are recessed, it may be necessary to install displays prior to installing assembly. Proceed to Display Installation Section prior to installing assembly to rail.

1. Drop channel plate (L) at an angle into front groove of FrameOne™ rail. (See Figure 7)
2. Make sure channel plate (L) lays flat in rail and slide plate until it is at desired mounting position. (See Figure 7)

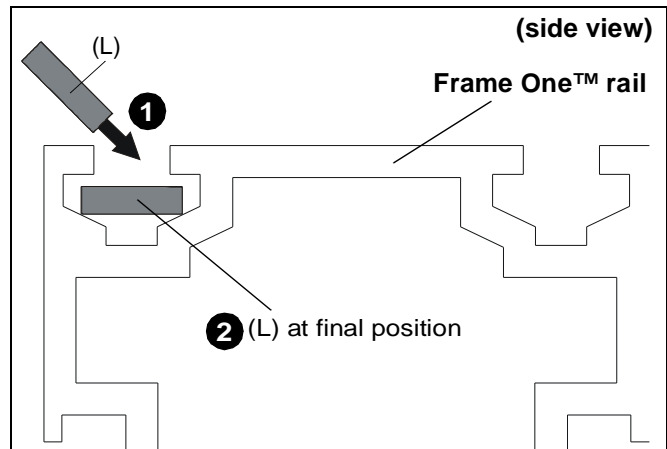


Figure 7

3. Hook back of mount base into back groove of FrameOne™ rail. (See Figure 8)
4. Place mount base onto FrameOne™ rail making sure holes line up with holes on channel plate (L). (See Figure 8)
5. Use two #10-32 x 7/8" flat head cap screws (N) to secure mount base to channel plate (L). (See Figure 8)

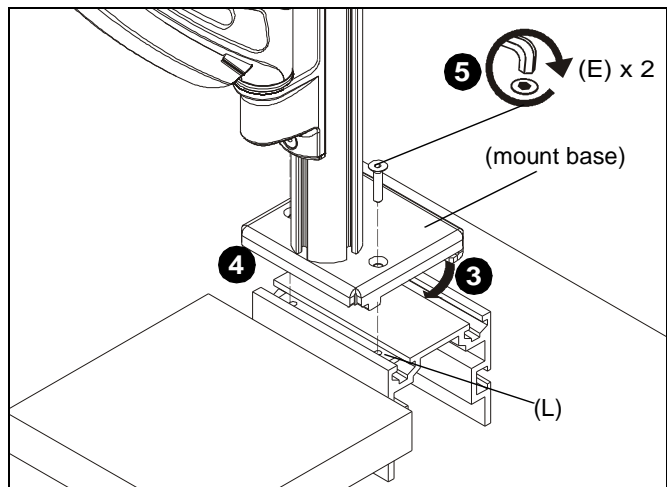


Figure 8

NOTE: If mount leans forward after installation, install one or two shims (M) in between mount base and rail as shown in the following steps.

Installing Shim Spacers (if required)

IMPORTANT ! : Do NOT install one or both shims (M) unless required as damage to the FrameOne™ rail may result!

6. Remove two #10-32 x 7/8" flat head cap screws (N) holding mount base to channel plate (L).
7. Slide one or two shims (M) in between mount base and rail, lining up holes on shim(s) with holes on plate and rail. (See Figure 9)
8. Use two #10-32 x 7/8" flat head cap screws (N) to reinstall mount base to channel plate (L). (See Figure 9)

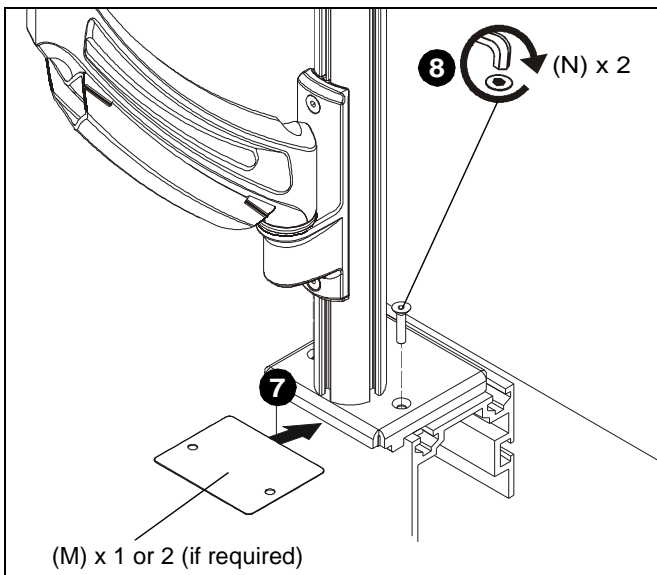


Figure 9

Array Installation (K1C22H, K1C22HSXF1 and K1C22HXRH Models ONLY)

1. Slide rotational spacer (J10) into opening on array attachment bracket. (See Figure 10)
2. Use 5/16-18 x 3" button head cap screw (J3), two thin steel washers (J8), plastic spacer (J9), pocket washer (J5), pivot pin (J4), pivot point spacer (J12) and 5/16-18 lock nut (J6) to secure array (J1) to K1C arm (A). (See Figure 10)

NOTE: Cable clip (J11) can be used in place of pivot point spacer (J12) if additional cable management is desired. (See Figure 10)

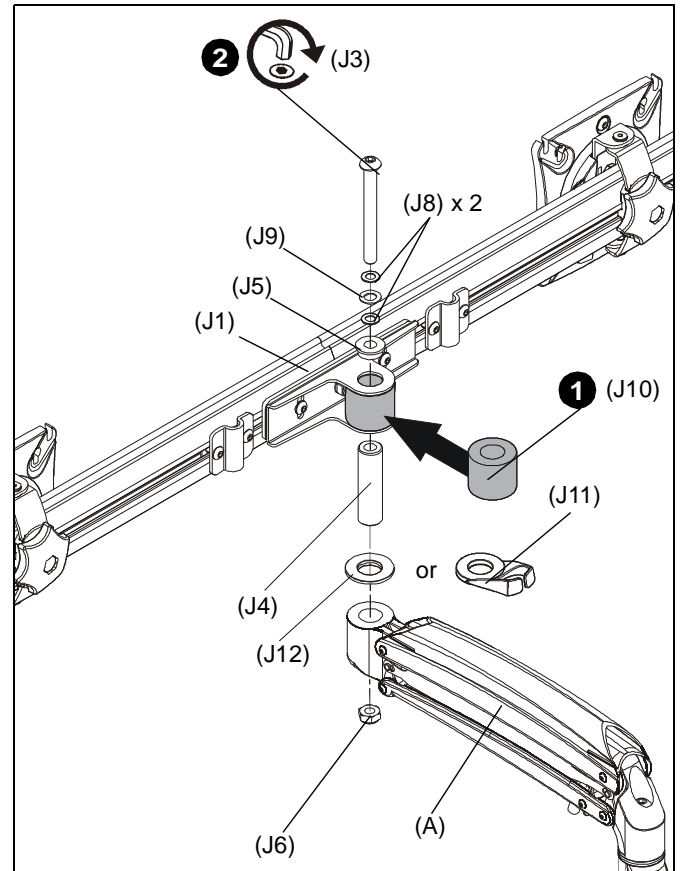


Figure 10

Display Installation

NOTE: For K1C120BXI2 mounts, refer to FSBI2B installation instructions to install iPad® to mounting arm.

1. Remove quick release faceplate from mount by pulling quick release lever and sliding faceplate off mount. (See Figure 11)

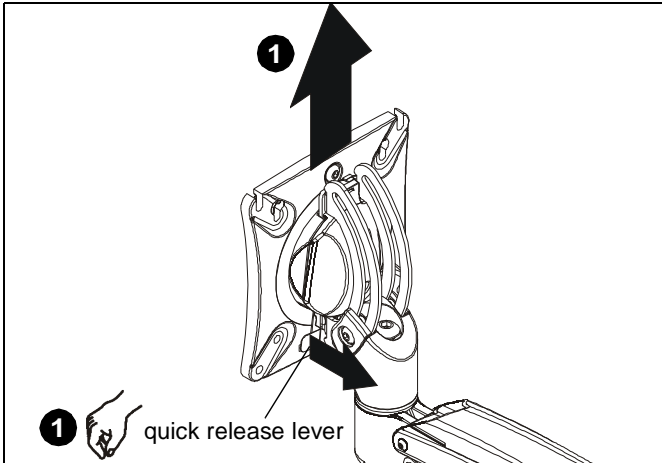


Figure 11



WARNING: Exceeding the weight capacity can result in serious personal injury or damage to equipment! It is the installer's responsibility to make sure the combined weight of all components located between the K1C Series Monitor Arm up to (and including) the display does not the weight limits listed in the table below. Use with products heavier than the maximum weight indicated may result in collapse of the mount and its accessories causing possible injury.

MODEL	Max Weight Allowed for <u>EACH</u> Display	Max Weight Capacity of Mounting System
K1C110	25 lbs (11.34 kg)	25 lbs (11.34 kg)
K1C120	25 lbs (11.34 kg)	25 lbs (11.34 kg)
K1C120XRH	25 lbs (11.34 kg)	25 lbs (11.34 kg)
K1C120BI2	2 lbs (0.9 kg)	2 lbs (0.9 kg)
K1C210	25 lbs (11.34 kg)	50 lbs (22.68 kg)
K1C220	25 lbs (11.34 kg)	50 lbs (22.68 kg)
K1C120SXF1	25 lbs (11.34 kg)	25 lbs (11.34 kg)

MODEL	Max Weight Allowed for <u>EACH</u> Display	Max Weight Capacity of Mounting System
K1C210SXF1	25 lbs (11.34 kg)	50 lbs (22.68 kg)
K1C220SXF1	25 lbs (11.34 kg)	50 lbs (22.68 kg)
K1C220XRH	25 lbs (11.34 kg)	50 lbs (22.68 kg)
K1C22H	9 lbs (4.08 kg)	18 lbs (8.16 kg)
K1C22HSXF1	9 lbs (4.08 kg)	18 lbs (8.16 kg)
K1C22HXRH	9 lbs (4.08 kg)	18 lbs (8.16 kg)

2. Carefully place display face down on protective surface.
3. Connect faceplate to display

For flush mounting hole installation:

- Using Phillips screwdriver, carefully install four M4x14mm screws (B) through corresponding holes on faceplate and into the mounting holes on the display. (See Figure 12)

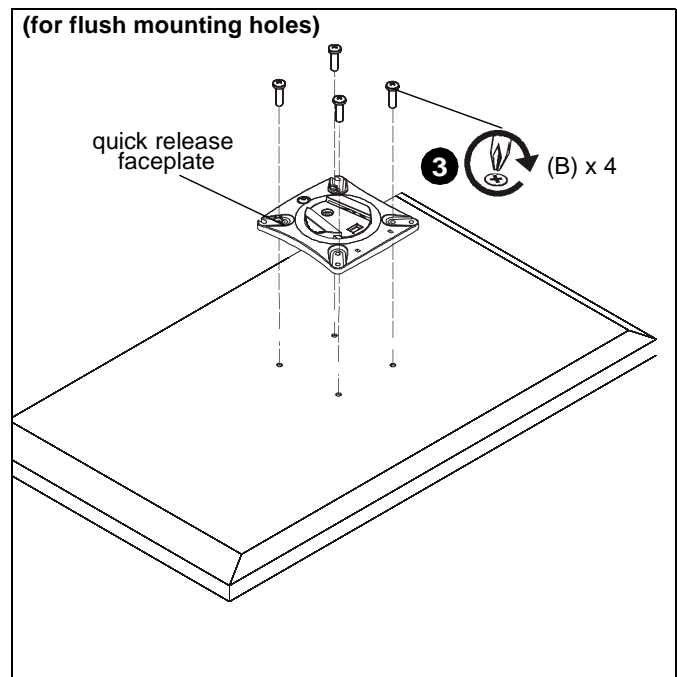


Figure 12

For recessed mounting hole installation:

- Place four spacers (D) on top of mounting holes on back of display. (See Figure 13)
- Using Phillips screwdriver, carefully install four M4x25mm screws (C) through corresponding holes on faceplate, spacers (D) and into the mounting holes on the display. (See Figure 13)

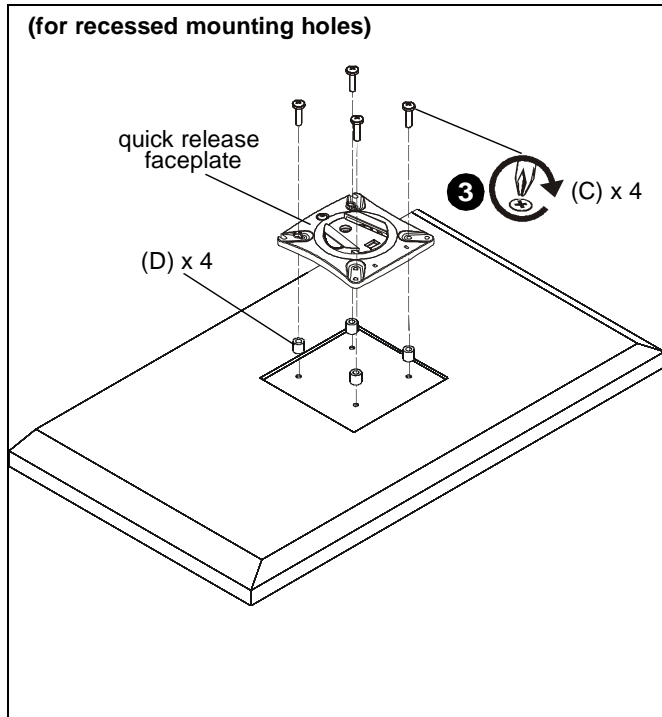


Figure 13

4. Position display with faceplate attached above mount. (See Figure 14)
5. Slide faceplate onto mounting head until quick release tab clicks into place. (See Figure 14)

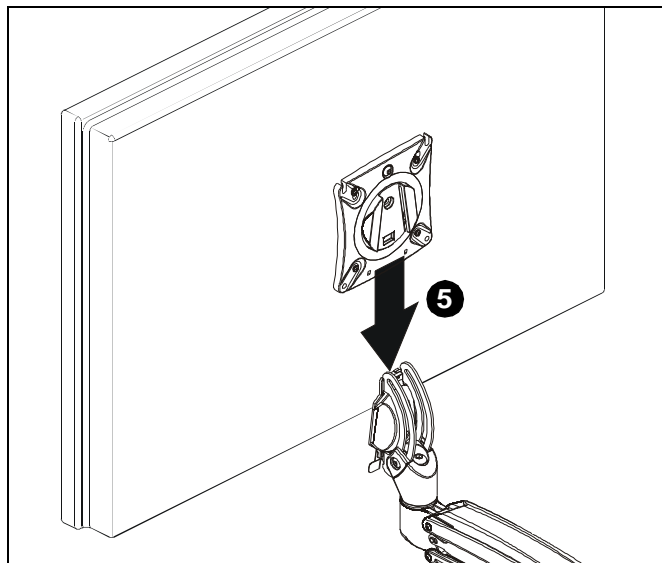


Figure 14

Handle Installation (K1C22H, K1C22HSXF1 and K1C22HXRH models only)

1. Loosen four screws securing handle brackets to K1C22H array. (See Figure 15)
2. Install uprights of handle (J) into handle brackets located on the back of K1C22 array. (See Figure 15)

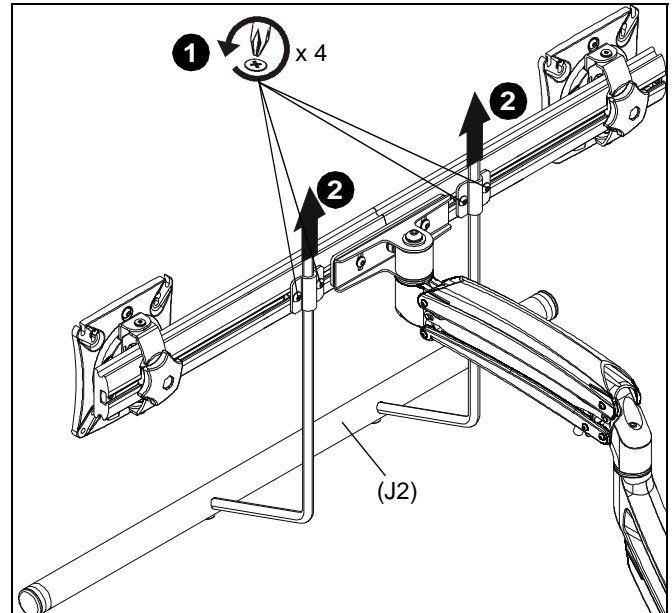


Figure 15

3. Position handle (J2) at desired height and secure by tightening button head cap screws attaching handle brackets to array. (See Figure 16)

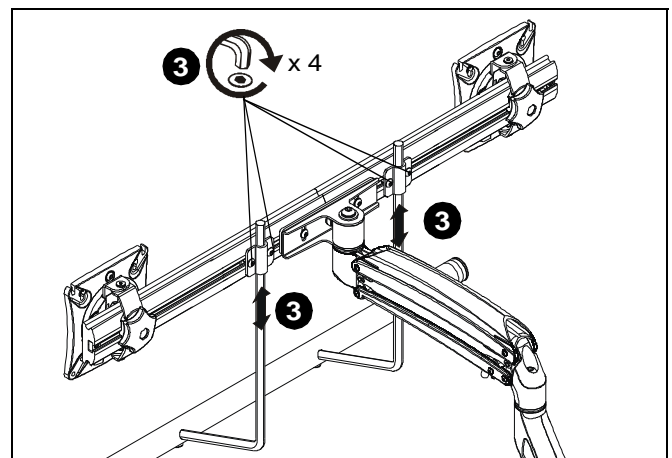


Figure 16

Adjustments

Pitch Adjustment (non-array models)

1. Adjust pitch to desired tilt position. (See Figure 17)
2. Adjust pitch tension screw to change the adjustment tension. (See Figure 17)

Pivot Adjustment (non-array models)

3. Adjust pivot position as desired. (See Figure 17)
4. Use 3/16" hex key (P) to adjust pivot point tension screws to change pivot adjustment tension. (See Figure 17)

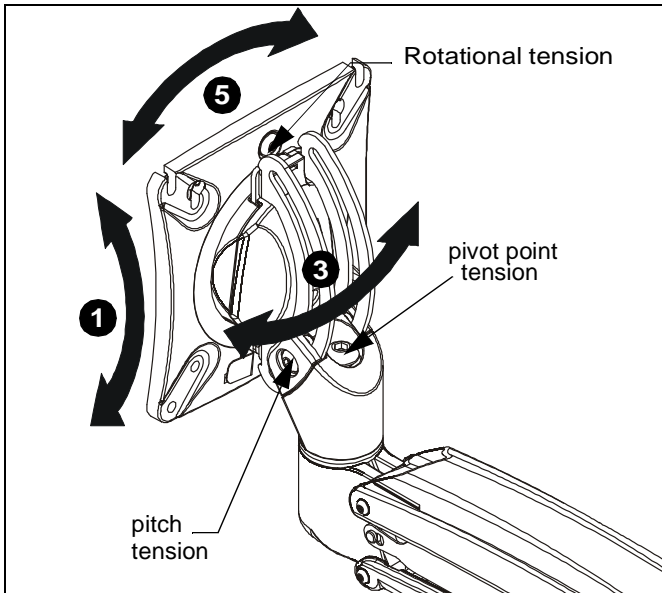


Figure 17

Rotational Adjustment

NOTE: (Optional) Rotational adjustment may be locked by installing rotational locking screw (K) into back of faceplate. (See Figure 18)

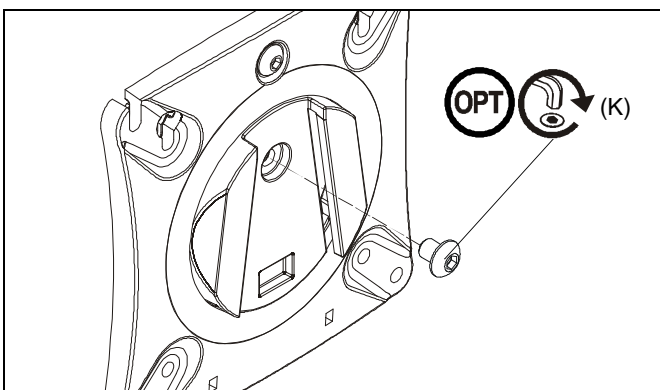


Figure 18

5. The monitor may be adjusted 90 degrees in either direction in order to provide a portrait view of the monitor. (See Figure 17)
6. Use 3/16" hex key (P) to adjust rotational adjustment screw to adjust rotational tension. (See Figure 17)

Lift Arm Tension Adjustment

1. Tension may be adjusted with upper tension adjustment screw inside cable management cover and 1/8" hex key (Q). Turn clockwise to reduce tension or counter-clockwise to increase tension. (See Figure 19)

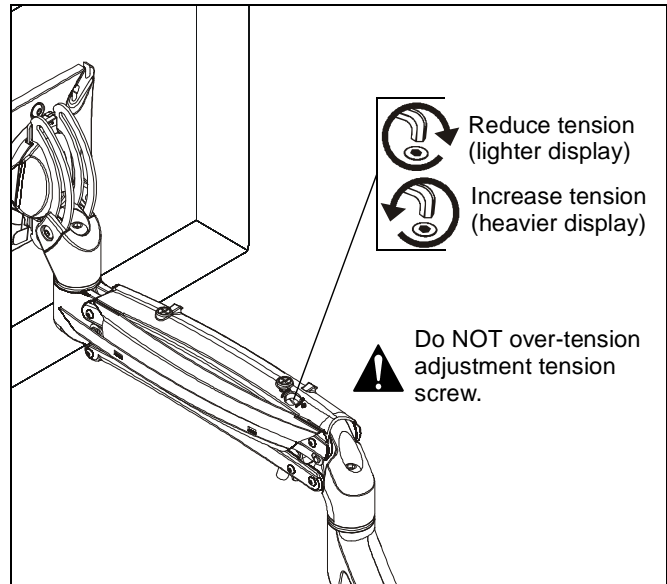


Figure 19

Adjustments - K1C22H models only

Display Adjustments

1. Loosen knobs securing faceplates to array. (See Figure 20)
2. Slide displays laterally on array to adjust lateral shift. (See Figure 20)
3. Adjust pitch and pivot position as desired. (See Figure 20)
4. Tighten knobs to secure faceplates in position. (See Figure 20)

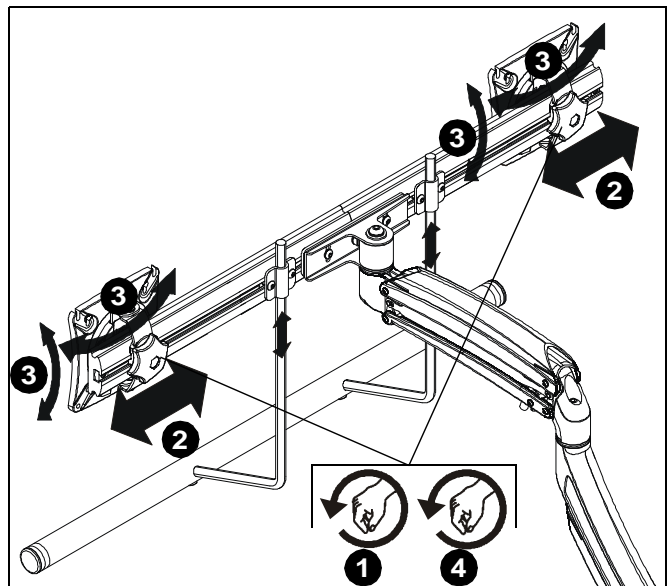


Figure 20

Array Bar Roll Adjustment

1. Loosen roll adjustment screws on back of array bracket. (See Figure 21)
2. Adjust roll of array bar as desired. (See Figure 21)
3. Tighten roll adjustment screws on back of array bracket. (See Figure 21)

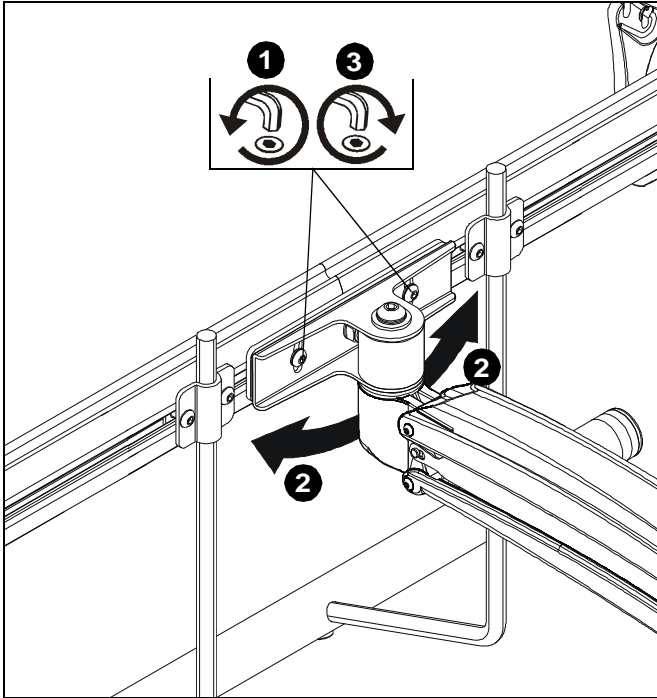


Figure 21

Display Removal



WARNING: Only remove display from mount when the display can be lifted up from the mount! DO NOT remove display unless the display is in the upright position! (See Figure 22)

1. Make sure display is in the upright position.
2. Remove quick release faceplate from mount by pulling quick release lever and sliding faceplate off mount. (See Figure 22)

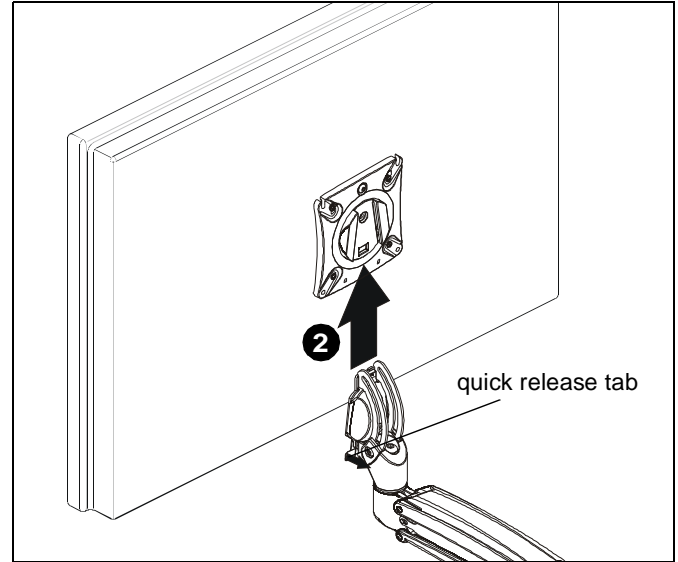


Figure 22

Pivot Adjustment Range

Single Arm Models

1. Adjust arm angle as desired up to 90 degrees in either direction. (See Figure 23)



WARNING: Swinging the arm beyond 90 degrees may result in the mount slipping off the desk causing serious injury!

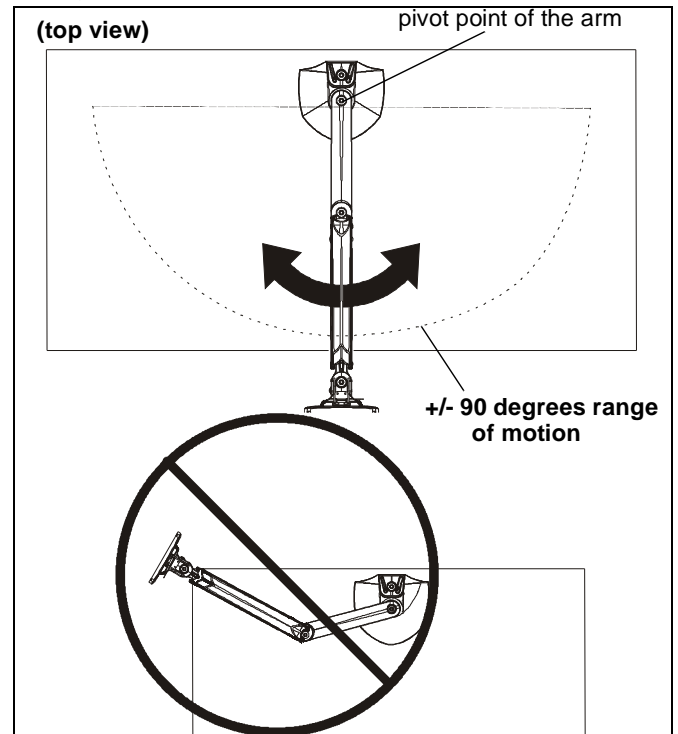


Figure 23

Dual Arm Models

1. Adjust arm angles as desired within a 90 degree range from the pivot point of the arm and a perpendicular centerline of mount. (See Figure 24)

WARNING: Swinging the arm beyond this range may result in the mount slipping of the desk causing serious injury!

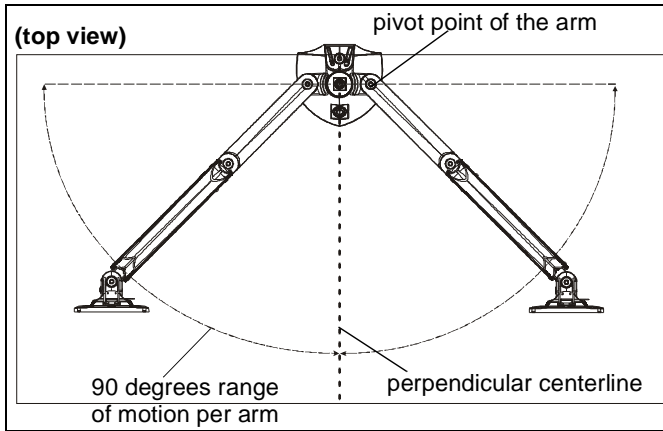


Figure 24

Cable Management

1. Press insides of cable management covers at both ends to unhinge tabs on either end of cable management cover on upper arm. (See Figure 25)
2. Lift cable management cover up until tabs are unhinged and cover is in the "open" position. (See Figure 25)

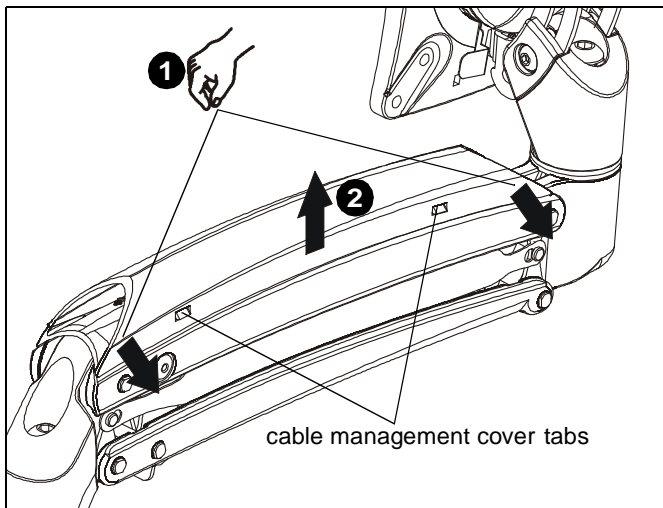


Figure 25

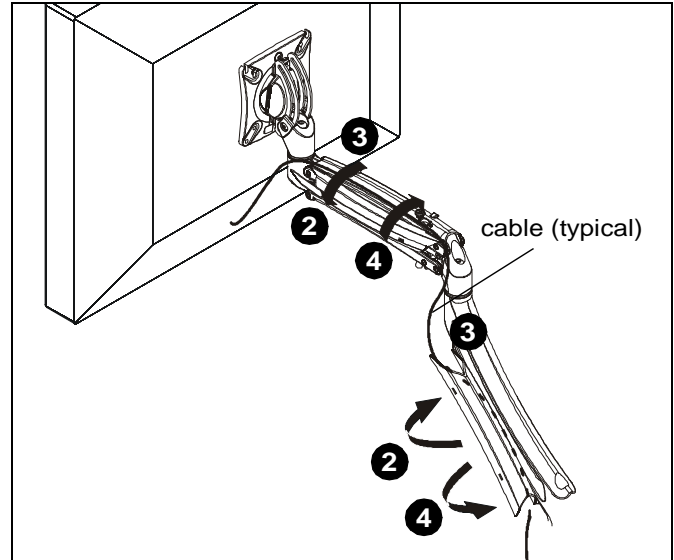


Figure 26

3. Route cables through cable management channels. (See Figure 26)

IMPORTANT ! : Be sure to leave enough slack in the cables near display and arm joint to allow for full arm articulation!

4. Close cable management covers on monitor arm. (See Figure 26)
5. Repeat Steps 1-4 for lower arm.

Array Models

1. Install array cable clips (J7) to back of array. (See Figure 27)
2. Route cables through array cable clips (J7) as desired. (See Figure 27)
3. Route cables through arm cable clips as desired. (See Figure 27)

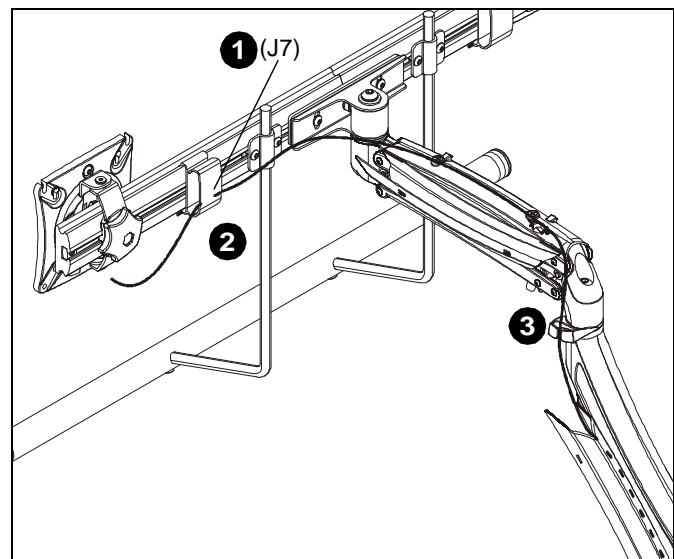


Figure 27



Our Mounts. **Your Vision.**

Chief, a products division of
Milestone AV Technologies

8800-002613 Rev02
©2016 Milestone AV Technologies
www.chiefmfg.com
06/16

USA/International	A 6436 City West Parkway, Eden Prairie, MN 55344 P 800.582.6480 / 952.225.6000 F 877.894.6918 / 952.894.6918
Europe	A Franklinstraat 14, 6003 DK Weert, Netherlands P +31 (0) 495 580 852 F +31 (0) 495 580 845
Asia Pacific	A Office No. 918 on 9/F, Shatin Galleria 18-24 Shan Mei Street Fotan, Shatin, Hong Kong P 852 2145 4099 F 852 2145 4477

