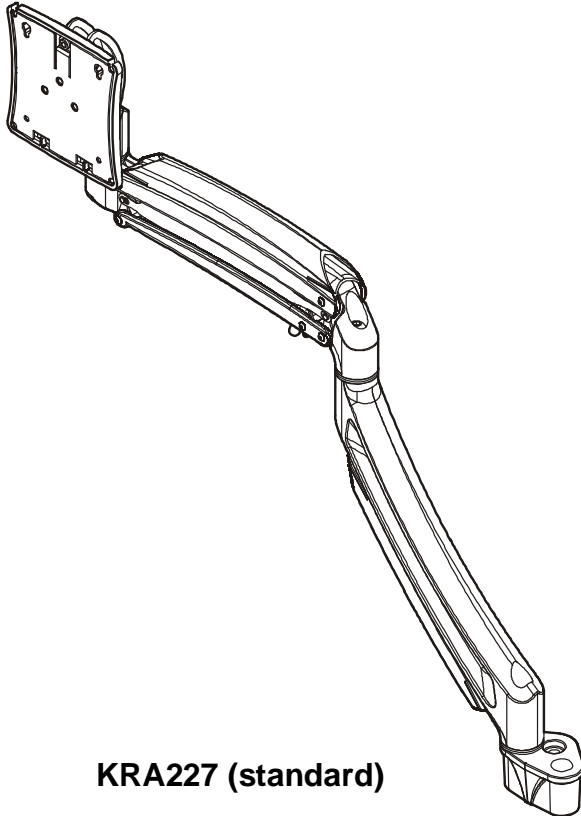


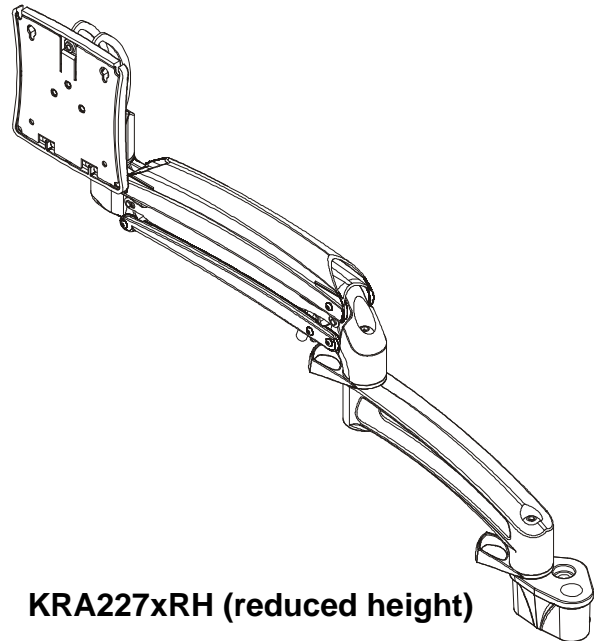
---

# INSTALLATION INSTRUCTIONS

---



KRA227 (standard)



KRA227xRH (reduced height)

---

## K1D/K1P/K1S/K1W Dual Monitor Accessory

---

**Touchboards**


205 Westwood Ave, Long Branch, NJ 07740  
Phone: 866-94 BOARDS (26273) / (732)-222-1511  
Fax: (732)-222-7088 | E-mail: [sales@touchboards.com](mailto:sales@touchboards.com)

## DISCLAIMER


Milestone AV Technologies and its affiliated corporations and subsidiaries (collectively "Milestone"), intend to make this manual accurate and complete. However, Milestone makes no claim that the information contained herein covers all details, conditions or variations, nor does it provide for every possible contingency in connection with the installation or use of this product. The information contained in this document is subject to change without notice or obligation of any kind. Milestone makes no representation of warranty, expressed or implied, regarding the information contained herein. Milestone assumes no responsibility for accuracy, completeness or sufficiency of the information contained in this document.


Chief® is a registered trademark of Milestone AV Technologies. All rights reserved.

## IMPORTANT SAFETY INSTRUCTIONS

 **WARNING:** A WARNING alerts you to the possibility of serious injury or death if you do not follow the instructions.

 **CAUTION:** A CAUTION alerts you to the possibility of damage or destruction of equipment if you do not follow the corresponding instructions.

 **WARNING:** Failure to read, thoroughly understand, and follow all instructions can result in serious personal injury, damage to equipment, or voiding of factory warranty! It is the installer's responsibility to make sure all components are properly assembled and installed using the instructions provided.

 **WARNING:** Failure to provide adequate structural strength for this component can result in serious personal injury or damage to equipment! It is the installer's responsibility to make sure the structure to which this component is attached can support five times the combined weight of all equipment. Reinforce the structure as required before installing the component.





 **WARNING:** Exceeding the weight capacity can result in serious personal injury or damage to equipment! It is the installer's responsibility to make sure the combined weight of all components located on the KRA227 does not exceed 25 lbs (11.3 kg). In addition, when the KRA227 accessory is attached to a K1 Series mount, the listed weight capacity of that assembly becomes the weight capacity listed in Table 1.

Table 1: Weight Capacity

MODEL (Original K1 Series mount)	Max Weight for EACH Display	Max Weight Capacity of Mounting System with KRA227 Attached
K1D120	25 lbs (11.34 kg)	50 lbs (22.7 kg)
K1P120	25 lbs (11.34 kg)	50 lbs (22.7 kg)
K1S120	25 lbs (11.34 kg)	50 lbs (22.7 kg)
K1W120	25 lbs (11.34 kg)	50 lbs (22.7 kg)

 **WARNING:** Use this mounting system only for its intended use as described in these instructions. Do not use attachments not recommended by the manufacturer.

 **WARNING:** Never operate this mounting system if it is damaged. Return the mounting system to a service center for examination and repair.

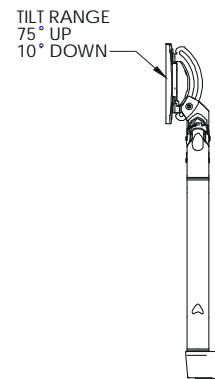
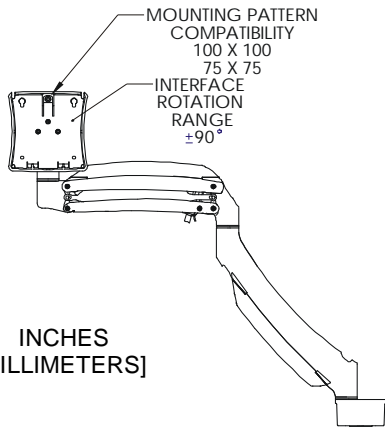
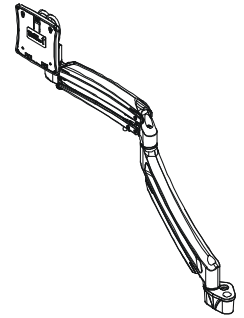
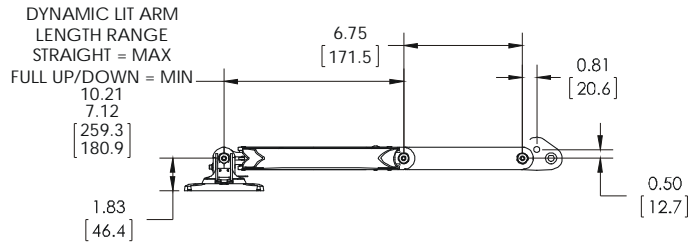
 **WARNING:** Do not use this product outdoors.

**IMPORTANT ! :** The KRA227 accessory is designed to be mounted to a K1D120, K1P120, K1S120, and K1W120 Series mount.

**--SAVE THESE INSTRUCTIONS--**

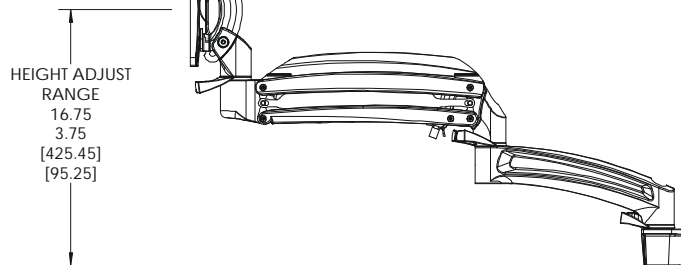
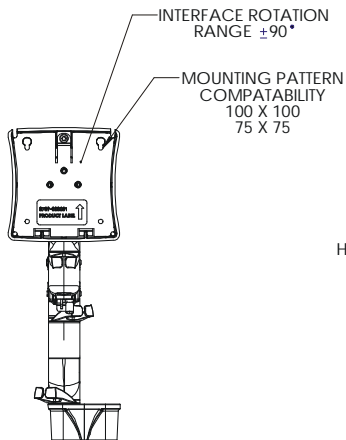
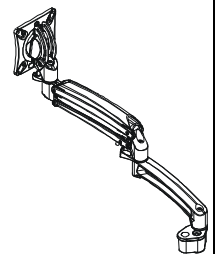
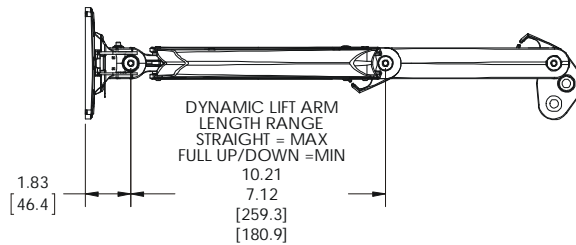
**DIMENSIONS**

**KRA227 (standard)**





DIMENSIONS: INCHES  
[MILLIMETERS]


**KRA227xRH (reduced height)**




## LEGEND


	<b>Tighten Fastener</b>
	Apretar elemento de fijación
	Befestigungsteil festziehen
	Apertar fixador
	Serrare il fissaggio
	Bevestiging vastdraaien
Serrez les fixations	


	<b>Loosen Fastener</b>
	Aflojar elemento de fijación
	Befestigungsteil lösen
	Desapertar fixador
	Allentare il fissaggio
	Bevestiging losdraaien
Desserrez les fixations	


	<b>Phillips Screwdriver</b>
	Destornillador Phillips
	Kreuzschlitzschraubendreher
	Chave de fendas Phillips
	Cacciavite a stella
	Kruiskopschroevendraaier
Tournevis à pointe cruciforme	


	<b>Open-Ended Wrench</b>
	Llave de boca
	Gabelschlüssel
	Chave de bocas
	Chiave a punte aperte
	Steeksleutel
Clé à fourche	


	<b>By Hand</b>
	A mano
	Von Hand
	Com a mão
	A mano
	Met de hand
À la main	


	<b>Hex-Head Wrench</b>
	Llave de cabeza hexagonal
	Sechskantschlüssel
	Chave de cabeça sextavada
	Chiave esagonale
	Zeskantsleutel
Clé à tête hexagonale	


	<b>Pencil Mark</b>
	Marcar con lápiz
	Stiftmarkierung
	Marcar com lápis
	Segno a matita
	Potloodmerkteken
Marquage au crayon	

	<b>Drill Hole</b>
	Perforar
	Bohrloch
	Fazer furo
	Praticare un foro
	Gat boren
Percez un trou	

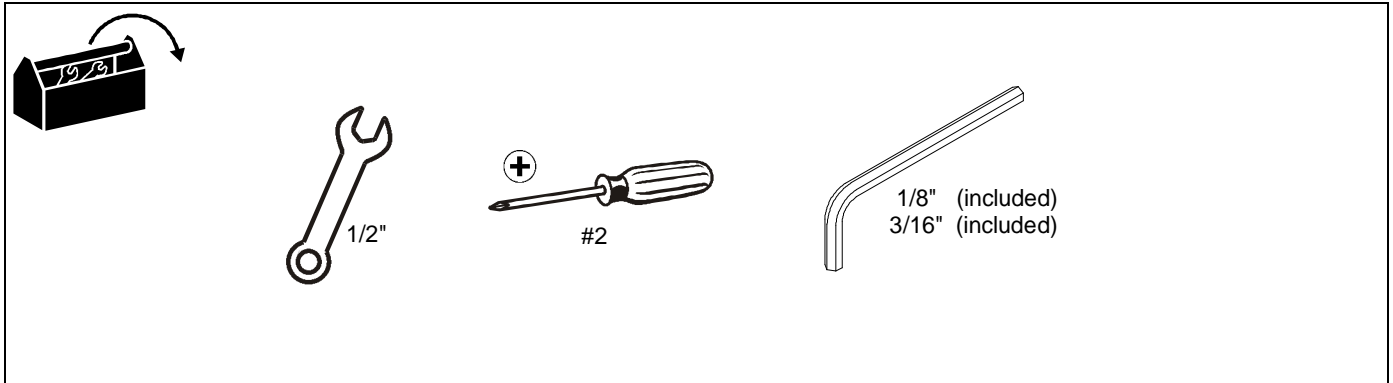
	<b>Adjust</b>
	Ajustar
	Einstellen
	Ajustar
	Regolare
	Afstellen
Ajuster	

	<b>Remove</b>
	Quitar
	Entfernen
	Remover
	Rimuovere
	Verwijderen
Retirez	

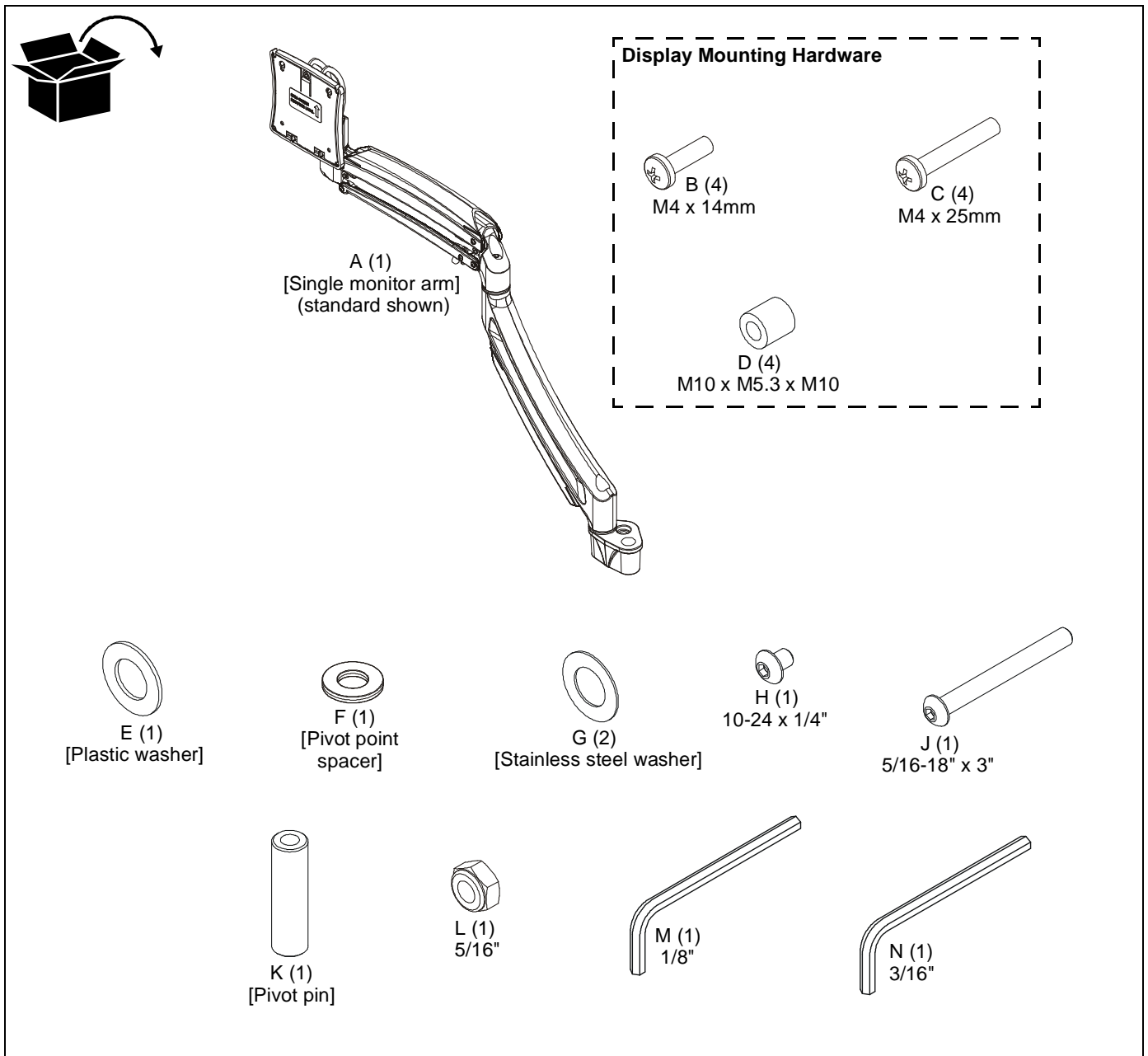
	<b>Optional</b>
	Opcional
	Optional
	Opcional
	Opzionale
	Optie
En option	

	<b>Security Wrench</b>
	Llave de seguridad
	Sicherheitsschlüssel
	Chave de segurança
	Chiave di sicurezza
	Veiligheidssleutel
Clé de sécurité	

**TOOLS REQUIRED FOR INSTALLATION**



**PARTS**



### ASSEMBLY AND INSTALLATION

1. Carefully remove display from existing mount, following instructions included with mount.
2. Loosen lock nut and 3" button head cap screw located in arm to remove arm from mount. **SAVE ALL HARDWARE AND MOUNT ARM!** (See Figure 1)

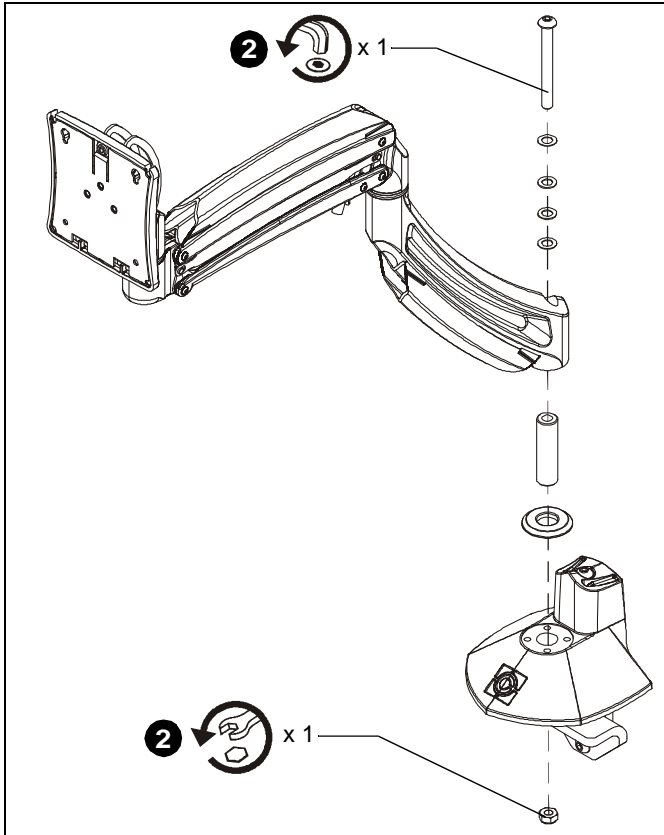


Figure 1

3. Attach single monitor arm assembly (A) to original mount base using hardware that was removed in Step 2. (See Figure 2)
4. Reattach original mount arm (removed in Step 2) using one 5/16-18 x 3" button head cap screw (J), one plastic washer (E), two stainless steel washers (G), one pivot pin (K), one pivot point spacer (F), and one 5/16" lock nut (L). (See Figure 3)

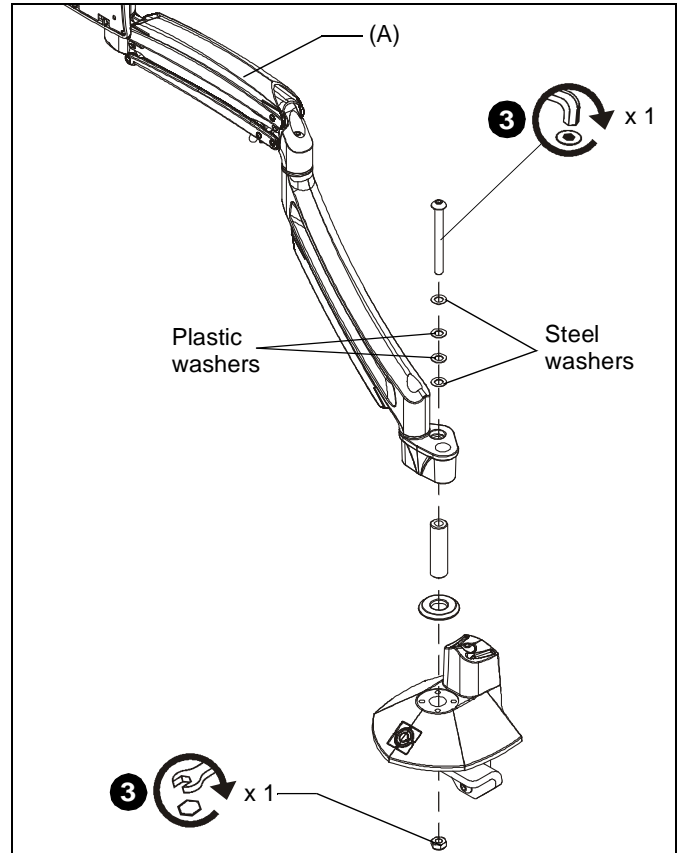


Figure 2

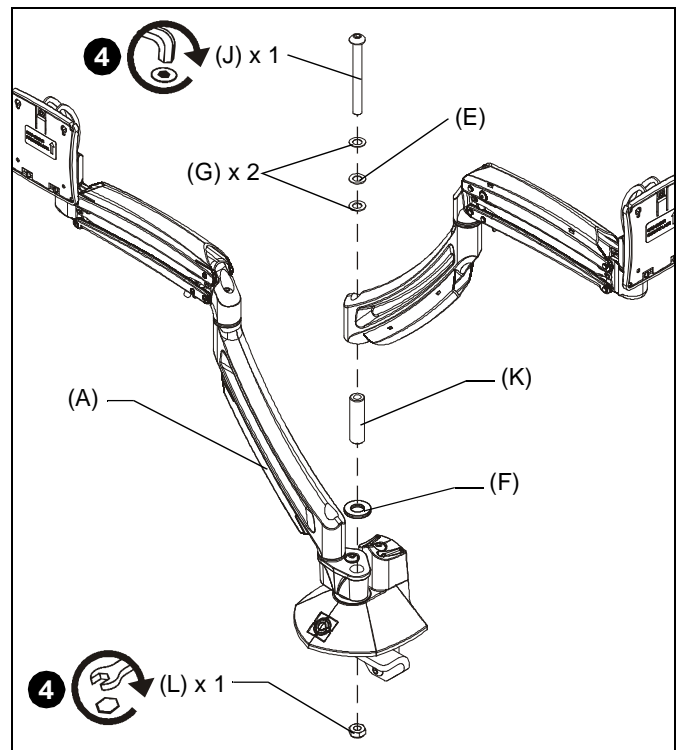


Figure 3

## DISPLAY INSTALLATION

1. Remove quick release faceplate from KRA227 by pulling quick release lever and sliding faceplate off. (See Figure 4)

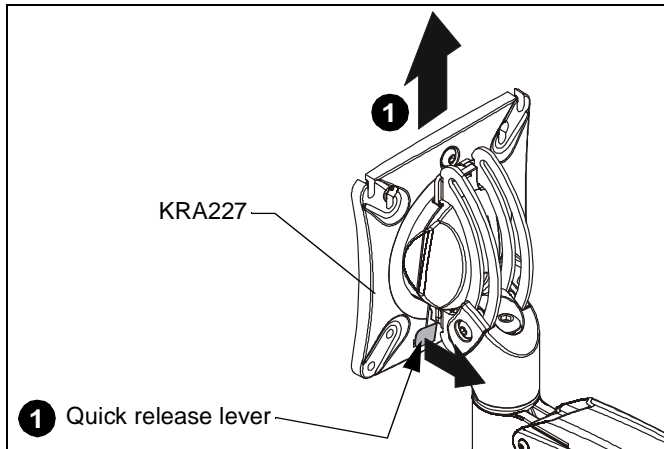


Figure 4

2. Carefully place display face down on protective surface.
3. Connect faceplate to display.

For flush mounting hole installation:

- Using Phillips screwdriver, carefully install four M4x14mm screws (B) through corresponding holes on faceplate and into the mounting holes on the display. (See Figure 5)

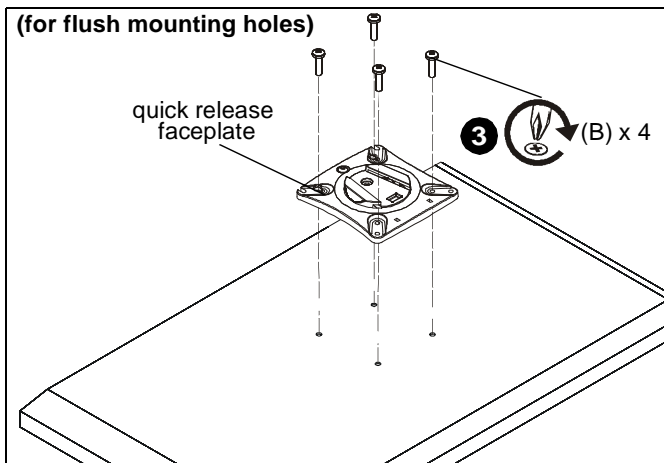


Figure 5

For recessed mounting hole installation:

- Place four spacers (D) on top of mounting holes on back of display. (See Figure 6)
- Using Phillips screwdriver, carefully install four M4x25mm screws (C) through corresponding holes on faceplate, spacers (D) and into the mounting holes on the display. (See Figure 6)

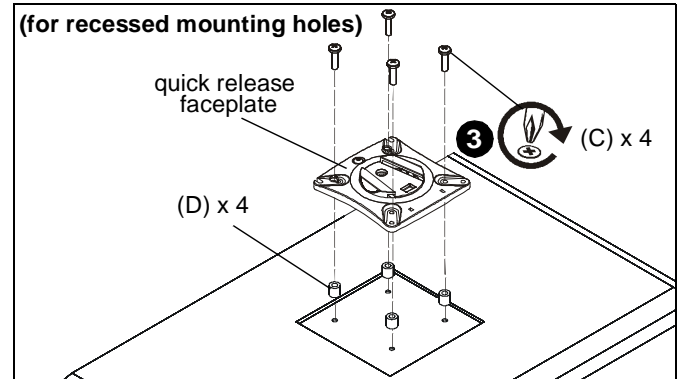


Figure 6

4. Position display with faceplate attached above KRA227. (See Figure 7)
5. Slide faceplate onto KRA227 head until quick release tab clicks into place. (See Figure 7)

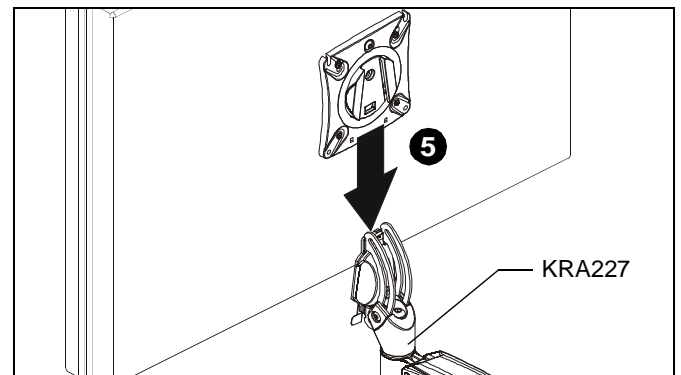


Figure 7

### Adjusting Rotation of Faceplate

The faceplate may be rotated 90° in either direction for either landscape or portrait use.

1. **(Optional)** Rotational adjustment may be locked by fastening face plate in place using one 10-24 x 1/4" button head cap screw (H) into back of faceplate. (See Figure 8)
2. Use the 3/16" hex key (N) on the button head cap screw to adjust rotational tension, as necessary.

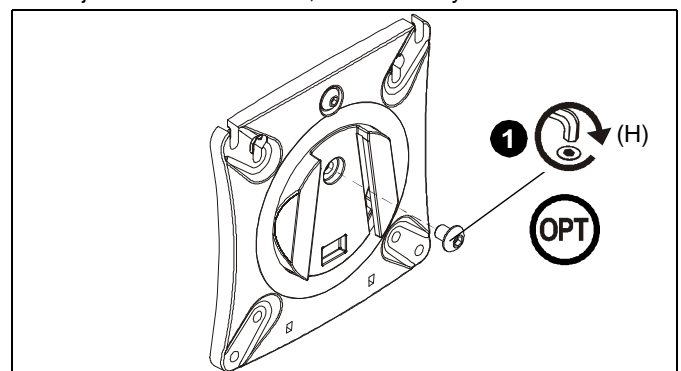


Figure 8

3. Refer to Adjustments and Cable Management information in the original mount installation instructions for further information.

# Touchboards

205 Westwood Ave, Long Branch, NJ 07740  
 Phone: 866-94 BOARDS (26273) / (732)-222-1511  
 Fax: (732)-222-7088 | E-mail: [sales@touchboards.com](mailto:sales@touchboards.com)



Our Mounts. **Your Vision.**

Chief, a products division of  
 Milestone AV Technologies

8800-002660 Rev01  
 ©2015 Milestone AV Technologies  
[www.chiefmfg.com](http://www.chiefmfg.com)  
 03/15

<b>USA/International</b>	<b>A</b> 6436 City West Parkway, Eden Prairie, MN 55344
	<b>P</b> 800.582.6480 / 952.225.6000
	<b>F</b> 877.894.6918 / 952.894.6918
<b>Europe</b>	<b>A</b> Franklinstraat 14, 6003 DK Weert, Netherlands
	<b>P</b> +31 (0) 495 580 852
	<b>F</b> +31 (0) 495 580 845
<b>Asia Pacific</b>	<b>A</b> Office No. 918 on 9/F, Shatin Galleria 18-24 Shan Mei Street Fotan, Shatin, Hong Kong
	<b>P</b> 852 2145 4099
	<b>F</b> 852 2145 4477

