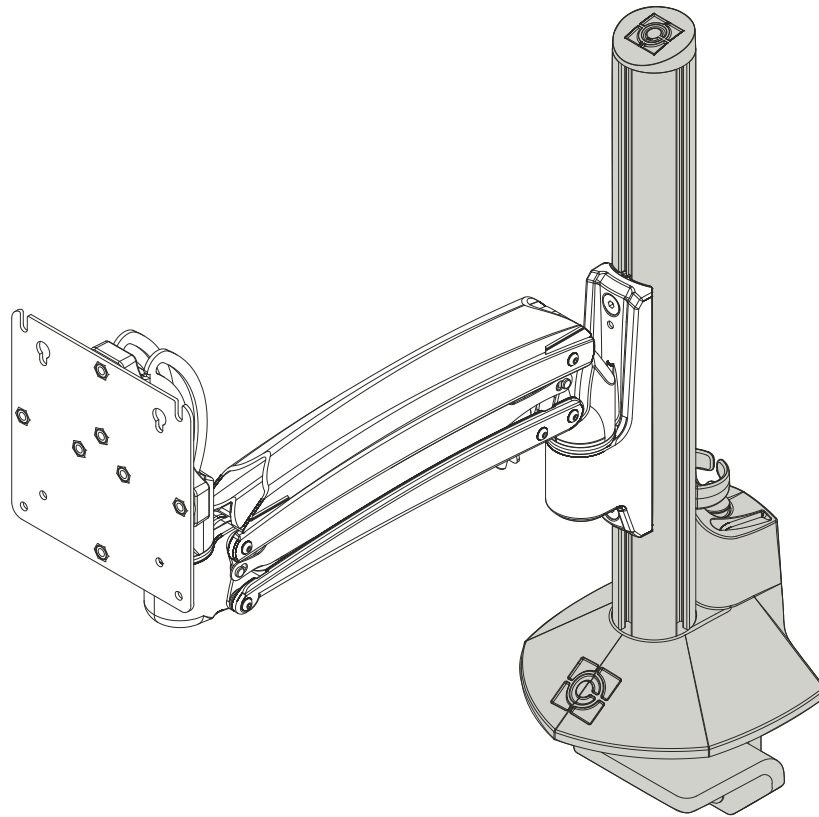

INSTALLATION INSTRUCTIONS



Kontour™ Column Clamp Accessory

 **CHIEF**®

A brand of  legrand®

KRA245

DISCLAIMER

Legrand | AV and its affiliated corporations and subsidiaries (collectively “Legrand | AV”), intend to make this manual accurate and complete. However, Legrand | AV makes no claim that the information contained herein covers all details, conditions or variations, nor does it provide for every possible contingency in connection with the installation or use of this product. The information contained in this document is subject to change without notice or obligation of any kind. Legrand | AV makes no representation of warranty, expressed or implied, regarding the information contained herein. Legrand | AV assumes no responsibility for accuracy, completeness or sufficiency of the information contained in this document.

Chief® and Kontour™ are registered trademarks of Legrand AV Inc.

DEFINITIONS

MOUNTING SYSTEM: A MOUNTING SYSTEM is the primary Chief product to which an accessory and/or component is attached.

ACCESSORY: AN ACCESSORY is the secondary Chief product which is attached to a primary Chief product, and may have a component attached or setting on it.

COMPONENT: A COMPONENT is an audiovisual item designed to be attached or resting on an accessory or mounting system such as a video camera, CPU, screen, display, projector, etc.



WARNING: A WARNING alerts you to the possibility of serious injury or death if you do not follow the instructions.



CAUTION: A CAUTION alerts you to the possibility of damage or destruction of equipment if you do not follow the corresponding instructions.



IMPORTANT SAFETY INSTRUCTIONS!



WARNING: Failure to read, thoroughly understand, and follow all instructions can result in serious personal injury, damage to equipment, or voiding of factory warranty! It is the installer’s responsibility to make sure all accessories are properly assembled and installed using the instructions provided.



WARNING: Use this accessory only for its intended use as described in these instructions. Do not use attachments not recommended by the manufacturer.



WARNING: Exceeding the weight capacity can result in serious personal injury or damage to equipment! It is the installer’s responsibility to make sure the combined weight of all components attached to the K1C/K2C Series Monitor Arm created by this KRA245 accessory up to (and including) the display does not exceed the weight limits listed in the table. Refer to K1/K2 Models graphic on Page 3 to find the

matching model number for the mount created after attaching the existing arm(s) to the KRA245. Use with products heavier than the maximum weight indicated may result in collapse of the mount and its accessories causing possible injury.

MODEL	Max Weight Allowed for EACH Display	Max Weight Capacity of Mounting System
K1C110	25 lbs (11.34 kg)	25 lbs (11.34 kg)
K1C120	25 lbs (11.34 kg)	25 lbs (11.34 kg)
K1C120XRH	25 lbs (11.34 kg)	25 lbs (11.34 kg)
K1C120BI2	2 lbs (0.9 kg)	2 lbs (0.9 kg)
K1C210	25 lbs (11.34 kg)	50 lbs (22.68 kg)
K1C220	25 lbs (11.34 kg)	50 lbs (22.68 kg)
K1C220XRH	25 lbs (11.34 kg)	50 lbs (22.68 kg)
K1C22H	9 lbs (4.08 kg)	18 lbs (8.16 kg)
K1C22HXRH	9 lbs (4.08 kg)	18 lbs (8.16 kg)
K1C330	20 lbs (9.07 kg)	60 lbs (27.2 kg)
K1C420	20 lbs (9.07 kg)	80 lbs (36.3 kg)
K2C110	40 lbs (18.14 kg)	40 lbs (18.14 kg)
K2C120	40 lbs (18.14 kg)	40 lbs (18.14 kg)
K2C220	25 lbs (11.34 kg)	50 lbs (22.68 kg)
K2C22H	9 lbs (4.08 kg)	18 lbs (8.16 kg)



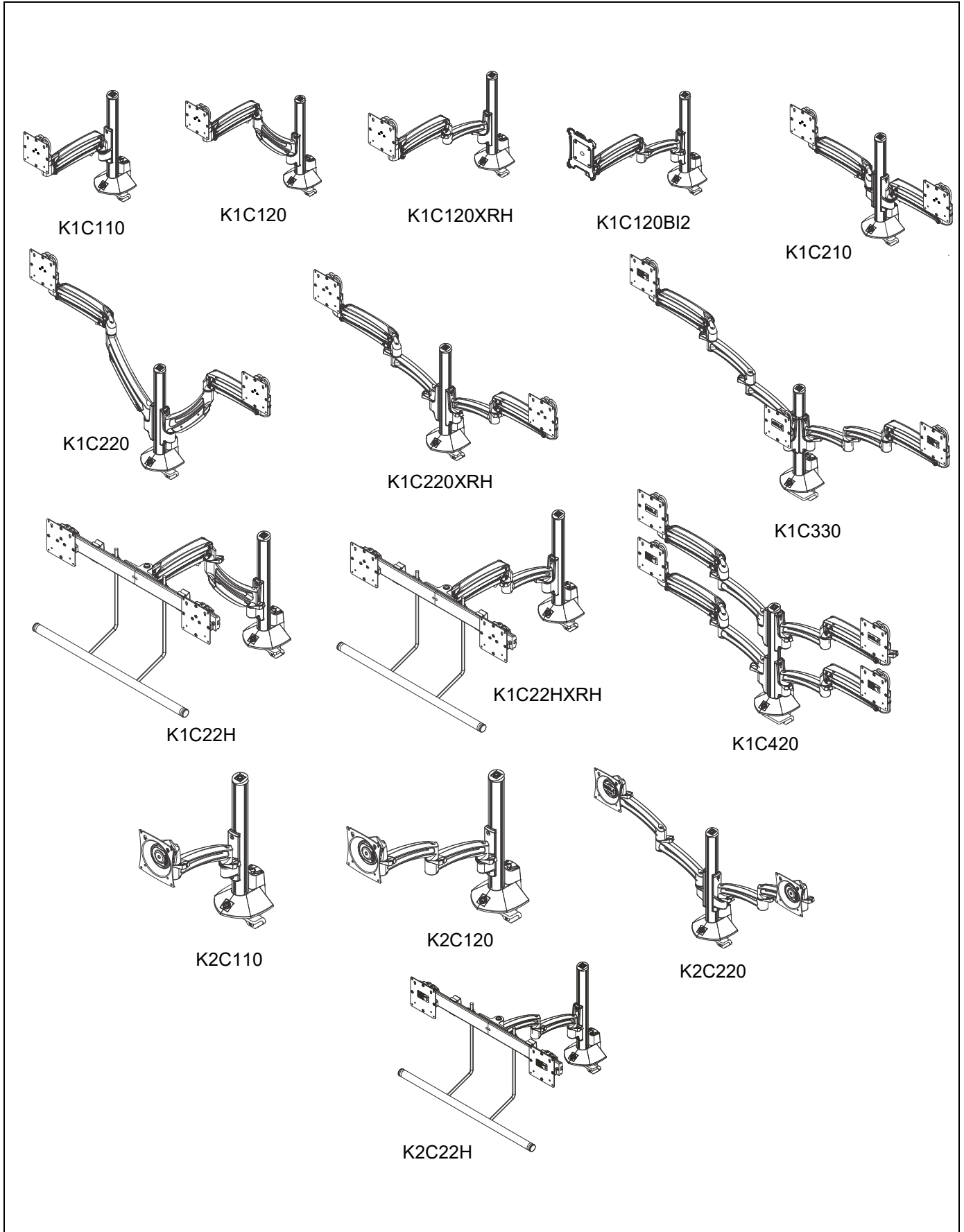
WARNING: Never operate this accessory if it is damaged. Return the accessory to a service center for examination and repair.



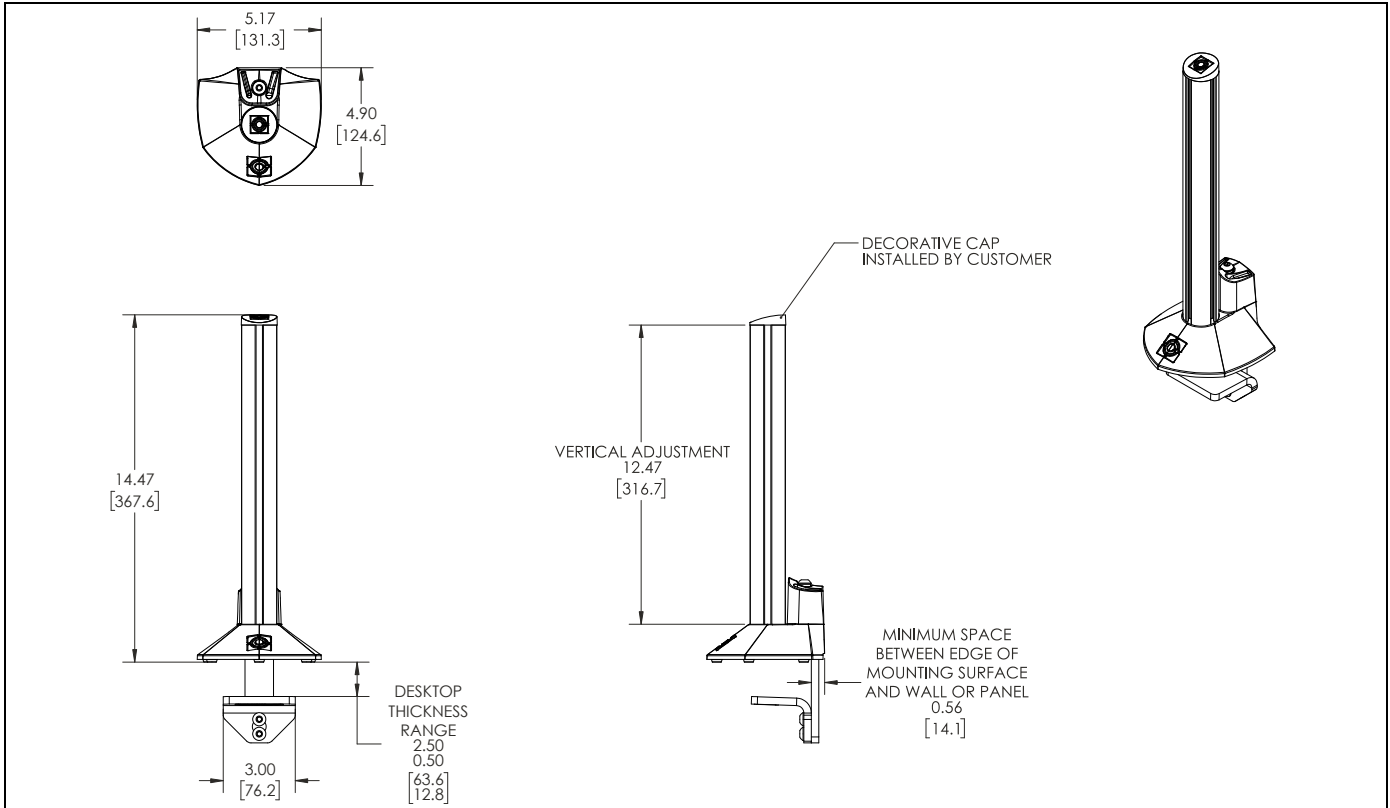
WARNING: Do not use this product outdoors.

--SAVE THESE INSTRUCTIONS--

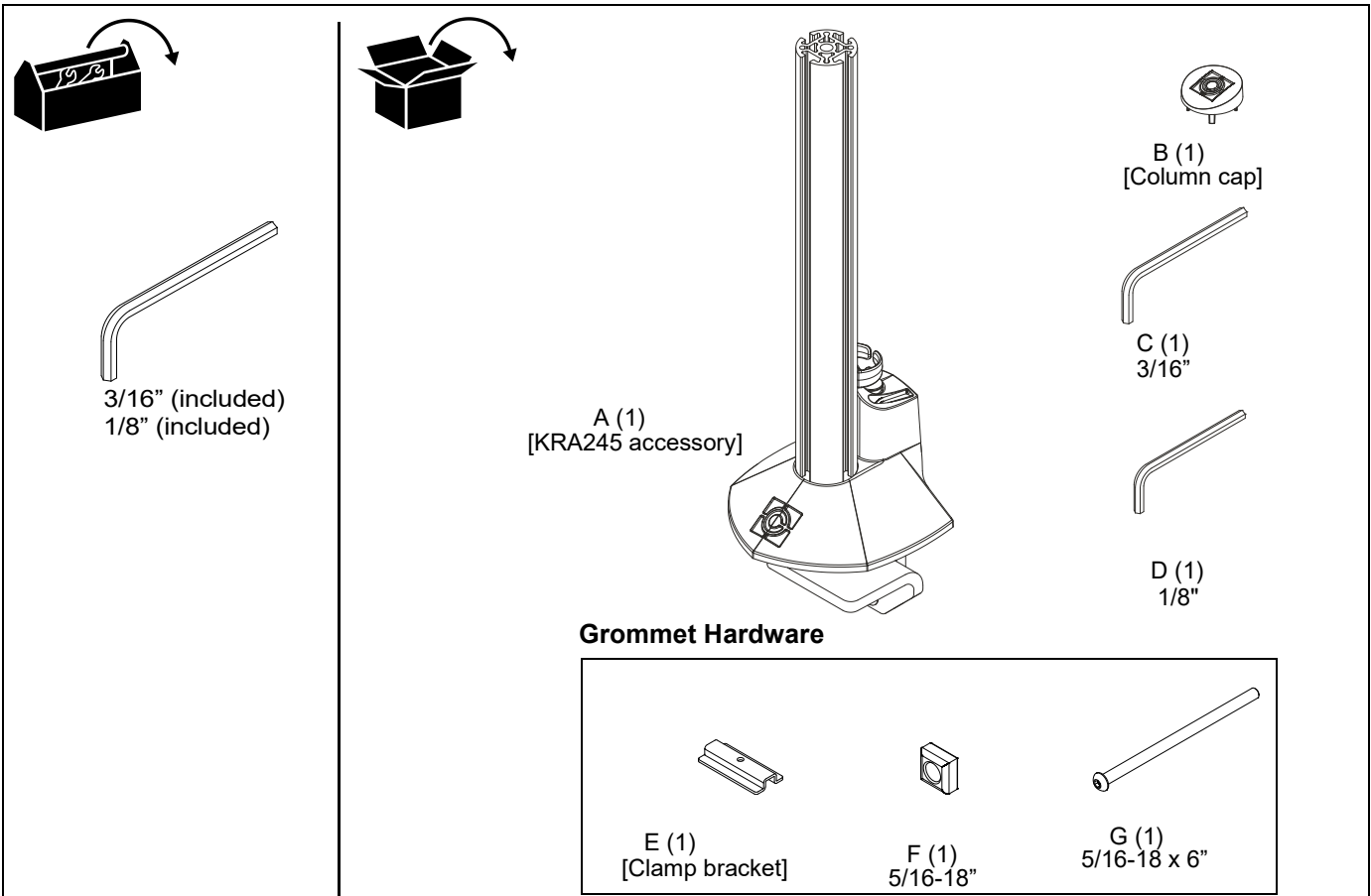
K1/K2 Models Graphic



DIMENSIONS



TOOLS / PARTS FOR INSTALLATION



Assembly And Installation

Connecting Kontour Arm to Column

1. Slide existing Kontour Arm (not included) into any available channel on KRA245 column (A). (See Figure 1)
2. Tighten two screws on arm plate when arm is at desired height. (See Figure 1)
3. Install column cap (B) onto KRA245 column (A). (See Figure 1)

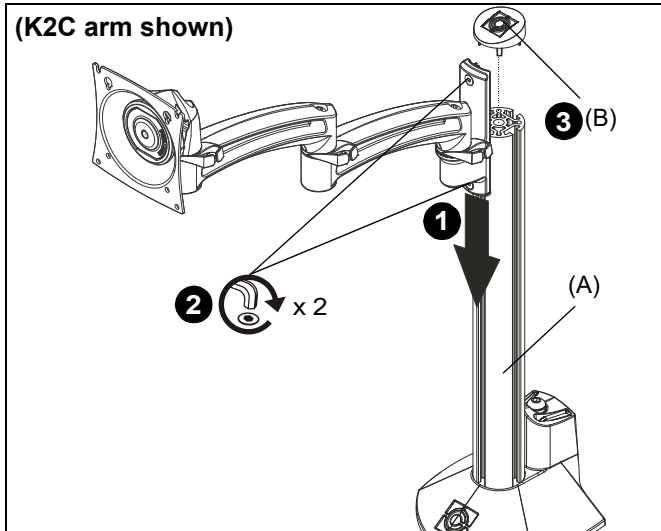


Figure 1

Connecting KRA245 to Desk

1. Loosen clamp screw until enough space is created between clamp and mount to allow for desk mounting. (See Figure 2)

NOTE: If space is limited behind desk (i.e. against wall, etc.), remove lower piece of clamp and two screws holding it to the mount and reattach parts prior to Step 2! (See Figure 3)

2. Place mount on top of desk at desired mounting location. (See Figure 2)
3. Tighten clamp using clamp screw until mount is securely fastened to desk. (See Figure 2)

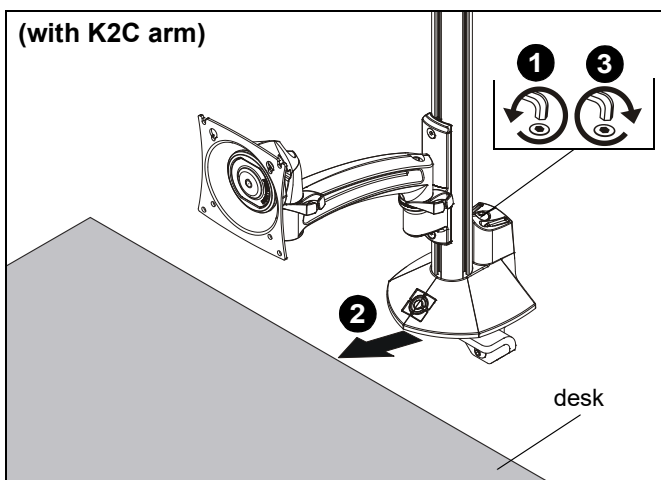


Figure 2

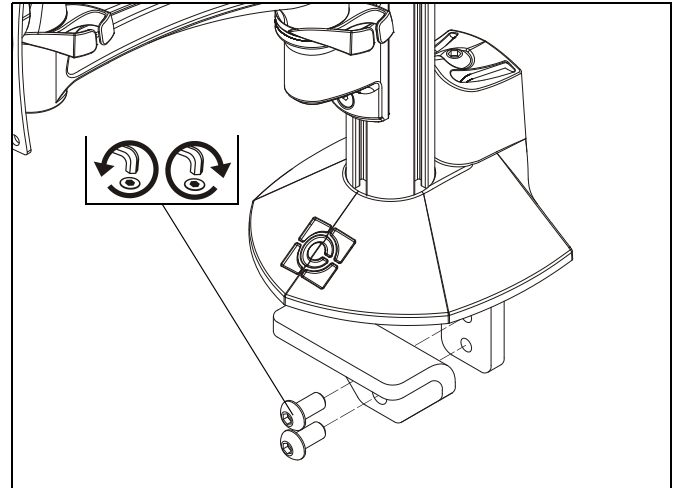


Figure 3

Grommet Hole Option

NOTE: Clamp mounts may be installed directly to grommet holes between 1 1/4" and 2 1/2" in diameter. If grommet hardware (E-G) is used, they can be installed to grommet holes between 3/8" and 2 1/2" in diameter.

Direct Installation

1. Remove lower piece of clamp from assembly by removing two button head cap screws holding piece to assembly. (See Figure 4)
2. Install remaining part of clamp through grommet hole. (See Figure 4)

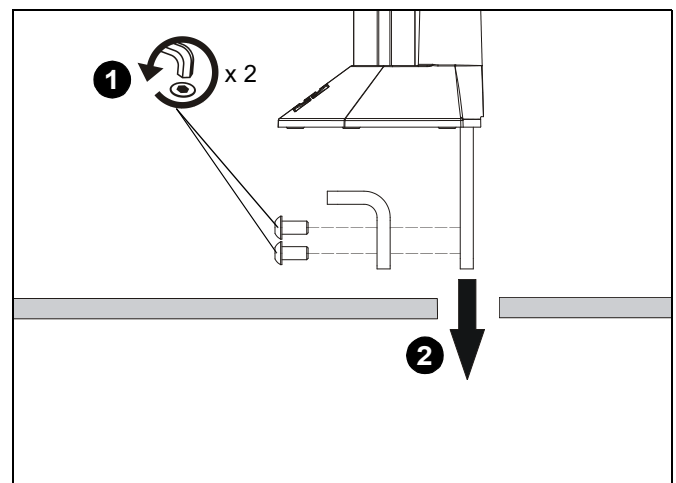


Figure 4

3. Reattach removed piece of clamp and screws to assembly. (See Figure 5)
4. Tighten clamp using clamp screw until mount is securely fastened to desk. (See Figure 5)

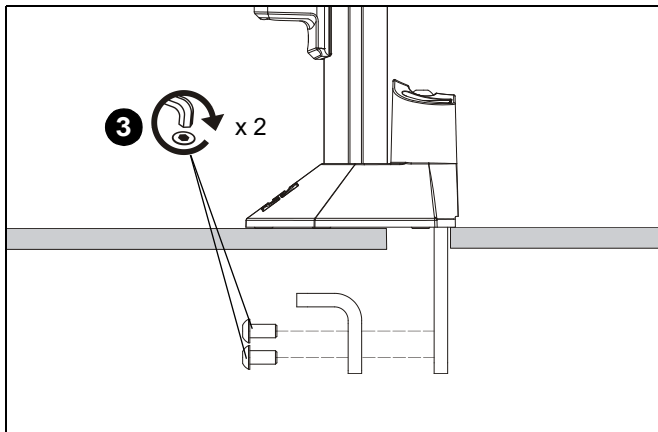


Figure 5

Using Grommet Hardware

1. Remove desk clamp from mount by loosening button head cap screw until clamp is completely disengaged from the bolt. (See Figure 6)
2. Maneuver clamp so that it is totally removed from desk mount. (See Figure 6)

NOTE: Set removed washers aside for re-use.

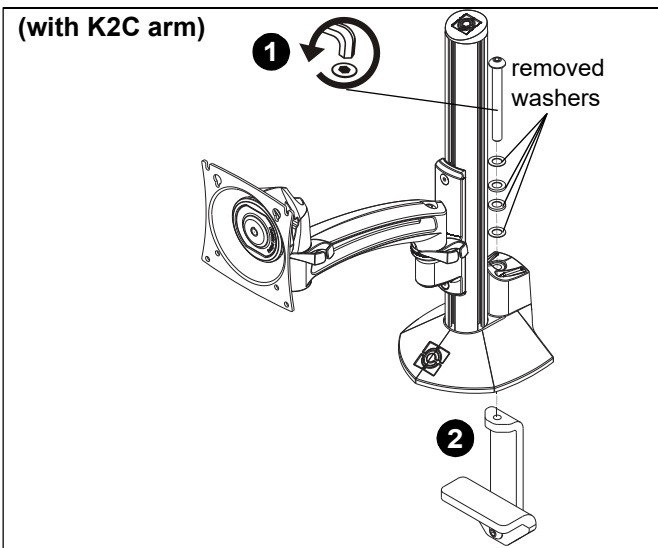


Figure 6

3. Locate a flat surface (thickness of 3/4" minimum to 3 1/2" maximum) on which to mount the column plate.
4. If mounting hole does not already exist on desk, drill 3/8" mounting hole in desk at desired mounting location.

IMPORTANT ! : Mounting hole must be between 3/8" and 2 1/2" in diameter!

5. Place mount on desk over grommet hole. (See Figure 7)

6. Use 5/16-18 x 6" button head cap screw (E), clamp bracket (F), removed washers and 5/16-18" square nut (G) to secure mount to desk. (See Figure 7)

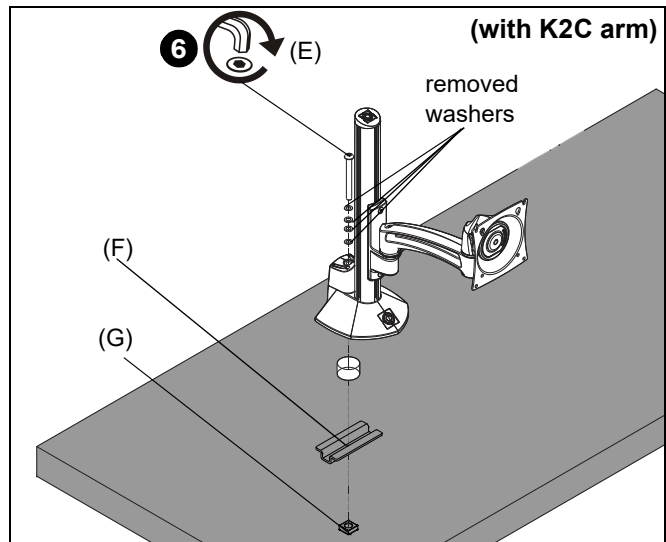


Figure 7

7. Install display to arm following Kontour mounts installation instructions.



WARNING: Exceeding the weight capacity can result in serious personal injury or damage to equipment! It is the installer's responsibility to make sure the combined weight of all components attached to the K1C/K2C Series Monitor Arm created by this KRA245 accessory up to (and including) the display does not exceed the weight limits listed in the table below. Refer to K1/K2 Models graphic on Page 3 to find the matching model number for the mount created after attaching the existing arm(s) to the KRA245. Use with products heavier than the maximum weight indicated may result in collapse of the mount and its accessories causing possible injury.

MODEL	Max Weight Allowed for <u>EACH</u> Display	Max Weight Capacity of Mounting System
K1C110	25 lbs (11.34 kg)	25 lbs (11.34 kg)
K1C120	25 lbs (11.34 kg)	25 lbs (11.34 kg)
K1C120XRH	25 lbs (11.34 kg)	25 lbs (11.34 kg)
K1C120BI2	2 lbs (0.9 kg)	2 lbs (0.9 kg)
K1C210	25 lbs (11.34 kg)	50 lbs (22.68 kg)
K1C220	25 lbs (11.34 kg)	50 lbs (22.68 kg)

MODEL	Max Weight Allowed for <u>EACH</u> Display	Max Weight Capacity of Mounting System
K1C220XRH	25 lbs (11.34 kg)	50 lbs (22.68 kg)
K1C22H	9 lbs (4.08 kg)	18 lbs (8.16 kg)
K1C22HXRH	9 lbs (4.08 kg)	18 lbs (8.16 kg)
K1C330	20 lbs (9.07 kg)	60 lbs (27.2 kg)
K1C420	20 lbs (9.07 kg)	80 lbs (36.3 kg)
K2C110	40 lbs (18.14 kg)	40 lbs (18.14 kg)
K2C120	40 lbs (18.14 kg)	40 lbs (18.14 kg)
K2C220	25 lbs (11.34 kg)	50 lbs (22.68 kg)
K2C22H	9 lbs (4.08 kg)	18 lbs (8.16 kg)

IMPORTANT ! : Refer to K1C/K2C Series installation instructions for further installation details, adjustment features, cable management options and pivot adjustment range limits.



A brand of  **legrand**

8800-003110 Rev01
©2019 Legrand | AV
www.legrandav.com
08/19

USA/International	A 6436 City West Parkway, Eden Prairie, MN 55344 P 800.582.6480 / 952.225.6000 F 877.894.6918 / 952.894.6918
Europe	A Franklinstraat 14, 6003 DK Weert, Netherlands P +31 (0) 495 580 852 F +31 (0) 495 580 845
Asia Pacific	A Office No. 918 on 9/F, Shatin Galleria 18-24 Shan Mei Street Fotan, Shatin, Hong Kong P 852 2145 4099 F 852 2145 4477

