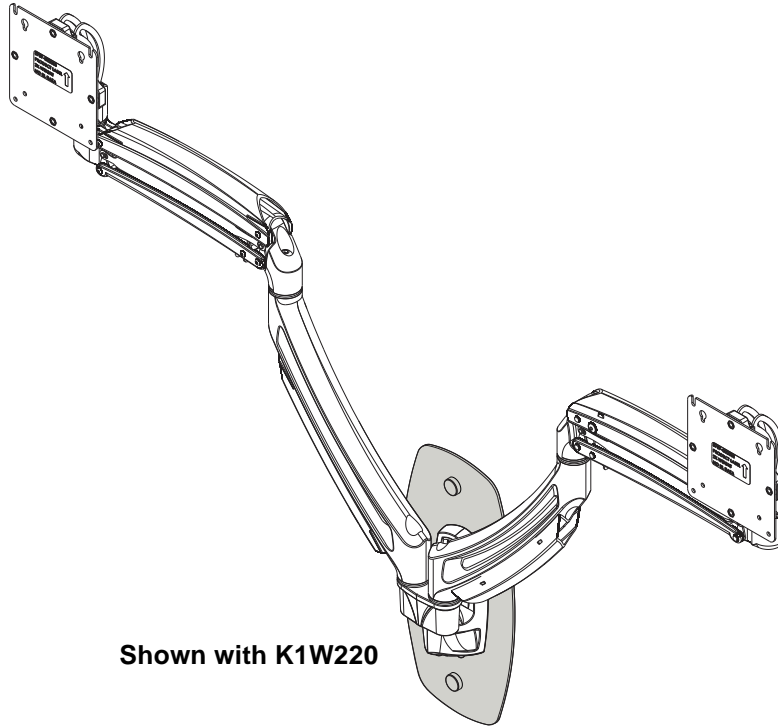

INSTALLATION INSTRUCTIONS



Shown with K1W220

Kontour™ Steel Stud Adapter

DISCLAIMER

Milestone AV Technologies and its affiliated corporations and subsidiaries (collectively “Milestone”), intend to make this manual accurate and complete. However, Milestone makes no claim that the information contained herein covers all details, conditions or variations, nor does it provide for every possible contingency in connection with the installation or use of this product. The information contained in this document is subject to change without notice or obligation of any kind. Milestone makes no representation of warranty, expressed or implied, regarding the information contained herein. Milestone assumes no responsibility for accuracy, completeness or sufficiency of the information contained in this document.


Chief® and Kontour™ are registered trademarks of Milestone AV Technologies. All rights reserved.


DEFINITIONS

MOUNTING SYSTEM: A MOUNTING SYSTEM is the primary Chief product to which an accessory and/or component is attached.


ACCESSORY: AN ACCESSORY is the secondary Chief product which is attached to a primary Chief product, and may have a component attached or setting on it.


COMPONENT: A COMPONENT is an audiovisual item designed to be attached or resting on an accessory or mounting system such as a video camera, CPU, screen, display, projector, etc.


 **WARNING:** A WARNING alerts you to the possibility of serious injury or death if you do not follow the instructions.

 **CAUTION:** A CAUTION alerts you to the possibility of damage or destruction of equipment if you do not follow the corresponding instructions.


 **IMPORTANT SAFETY INSTRUCTIONS**


 **WARNING:** Failure to read, thoroughly understand, and follow all instructions can result in serious personal injury, damage to equipment, or voiding of factory warranty! It is the installer’s responsibility to make sure all accessories are properly assembled and installed using the instructions provided.


 **WARNING:** Failure to provide adequate structural strength for this accessory can result in serious personal injury or damage to equipment! It is the installer’s responsibility to make sure the structure to which this accessory is attached can support five times the combined weight of all equipment. Reinforce the structure as required before installing the accessory. The wall to which the mounting system / accessory is being attached may have a maximum drywall thickness of 5/8” (1.6cm). Do not install drywall anchors into the seam between drywall pieces.

 **WARNING:** Exceeding the weight capacity can result in serious personal injury or damage to equipment! It is the installer’s responsibility to make sure the combined weight of all components attached to this accessory does not exceed the weight capacity of the mounting system being used with this accessory OR the limits listed in the table below.

MODEL w/ KRAMS	Max Weight Allowed for <u>EACH</u> Display	Max Weight Capacity of Mounting System
K1W110	25 lbs (11.34 kg)	25 lbs (11.34 kg)
K1W120	25 lbs (11.34 kg)	25 lbs (11.34 kg)
K1W220	15 lbs (6.8 kg)	30 lbs (13.6 kg)
K1W22H	9 lbs (4.08 kg)	18 lbs (8.16 kg)
K1W110	25 lbs (11.34 kg)	25 lbs (11.34 kg)
K2W110	30 lbs (13.6 kg)	30 lbs (13.6 kg)
K2W120	30 lbs (13.6 kg)	30 lbs (13.6 kg)
K2W220	15 lbs (6.8 kg)	30 lbs (13.6 kg)
K2W21H	15 lbs (6.8 kg)	30 lbs (13.6 kg)
K2W22H	15 lbs (6.8 kg)	30 lbs (13.6 kg)

 **WARNING:** Use this accessory only for its intended use as described in these instructions. Do not use attachments not recommended by the manufacturer.

 **WARNING:** Never operate this accessory if it is damaged. Return the accessory to a service center for examination and repair.

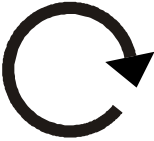

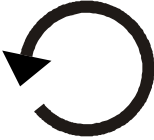









 **WARNING:** Do not use this accessory outdoors.

IMPORTANT ! : The KRAMS accessory is designed to be mounted to a 2" x 4"-25ga minimum steel studs wall.

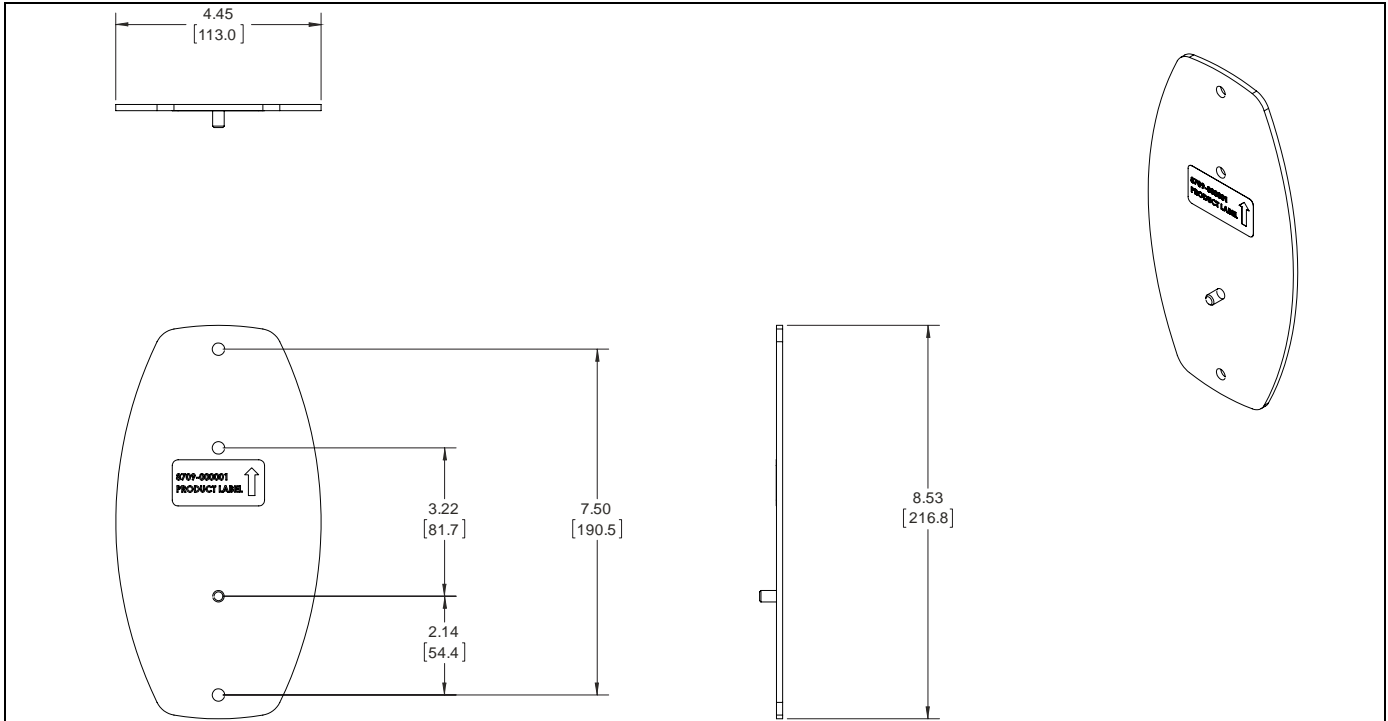
IMPORTANT ! : The KRAMS accessory is designed to mount Chief’s K1W or K2W Series mounting systems to a steel studs wall. Do not attempt to install any other mounting system to this accessory.

--SAVE THESE INSTRUCTIONS--

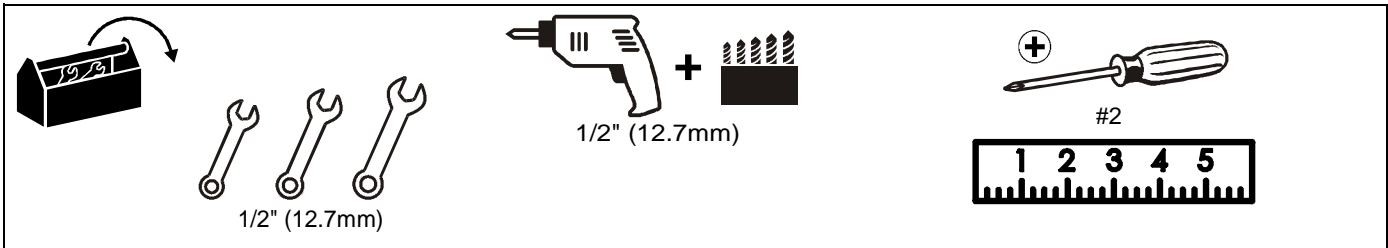
LEGEND

	<p>Tighten Fastener</p> <p>Apretar elemento de fijación</p> <p>Befestigungsteil festziehen</p> <p>Apertar fixador</p> <p>Serrare il fissaggio</p> <p>Bevestiging vastdraaien</p> <p>Serrez les fixations</p>		<p>Pencil Mark</p> <p>Marcar con lápiz</p> <p>Stiftmarkierung</p> <p>Marcar com lápis</p> <p>Segno a matita</p> <p>Potloodmerkten</p> <p>Marquage au crayon</p>
	<p>Loosen Fastener</p> <p>Aflojar elemento de fijación</p> <p>Befestigungsteil lösen</p> <p>Desapertar fixador</p> <p>Allentare il fissaggio</p> <p>Bevestiging losdraaien</p> <p>Desserrez les fixations</p>		<p>Drill Hole</p> <p>Perforar</p> <p>Bohrloch</p> <p>Fazer furo</p> <p>Praticare un foro</p> <p>Gat boren</p> <p>Percez un trou</p>
	<p>Phillips Screwdriver</p> <p>Destornillador Phillips</p> <p>Kreuzschlitzschraubendreher</p> <p>Chave de fendas Phillips</p> <p>Cacciavite a stella</p> <p>Kruiskopschroevendraaier</p> <p>Tournevis à pointe cruciforme</p>		<p>Adjust</p> <p>Ajustar</p> <p>Einstellen</p> <p>Ajustar</p> <p>Regolare</p> <p>Afstellen</p> <p>Ajuster</p>
	<p>Open-Ended Wrench</p> <p>Llave de boca</p> <p>Gabelschlüssel</p> <p>Chave de bocas</p> <p>Chiave a punte aperte</p> <p>Steeksleutel</p> <p>Clé à fourche</p>		<p>Remove</p> <p>Quitar</p> <p>Entfernen</p> <p>Remover</p> <p>Rimuovere</p> <p>Verwijderen</p> <p>Retirez</p>
	<p>By Hand</p> <p>A mano</p> <p>Von Hand</p> <p>Com a mão</p> <p>A mano</p> <p>Met de hand</p> <p>À la main</p>		<p>Optional</p> <p>Opcional</p> <p>Optional</p> <p>Opcional</p> <p>Opzionale</p> <p>Optie</p> <p>En option</p>
	<p>Hex-Head Wrench</p> <p>Llave de cabeza hexagonal</p> <p>Sechskantschlüssel</p> <p>Chave de cabeça sextavada</p> <p>Chiave esagonale</p> <p>Zeskantsleutel</p> <p>Clé à tête hexagonale</p>		<p>Security Wrench</p> <p>Llave de seguridad</p> <p>Sicherheitsschlüssel</p> <p>Chave de segurança</p> <p>Chiave di sicurezza</p> <p>Veiligheidsleutel</p> <p>Clé de sécurité</p>

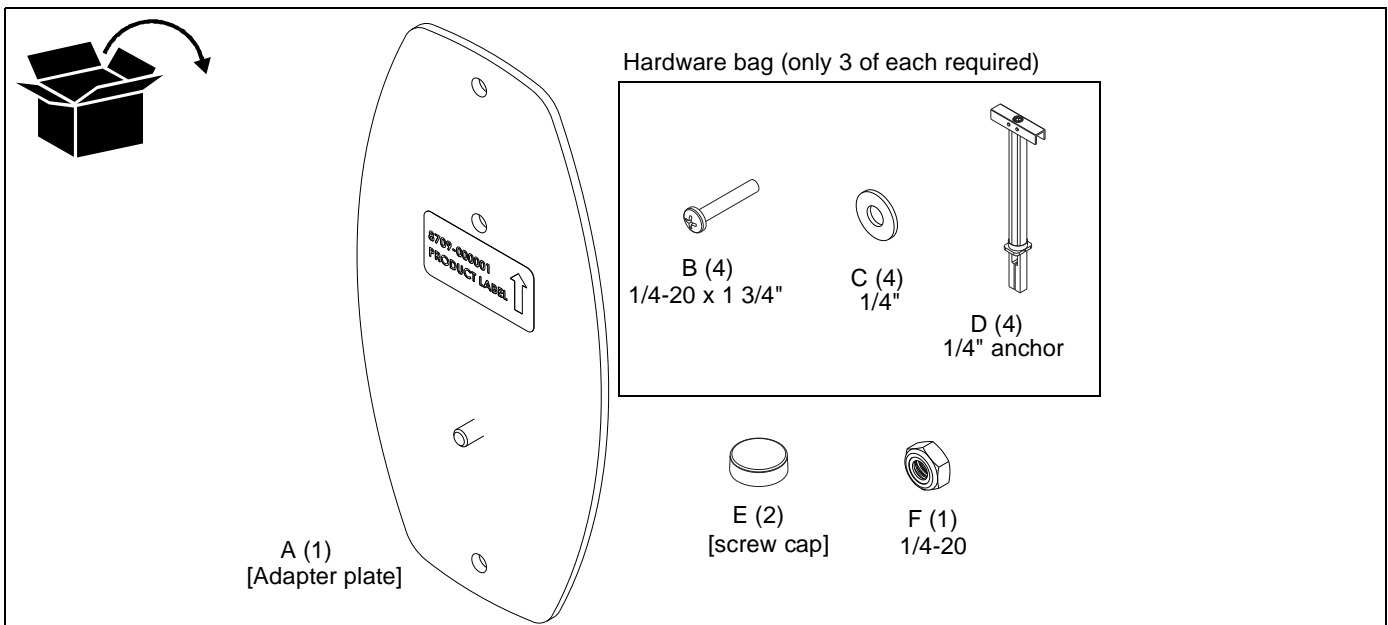
DIMENSIONS



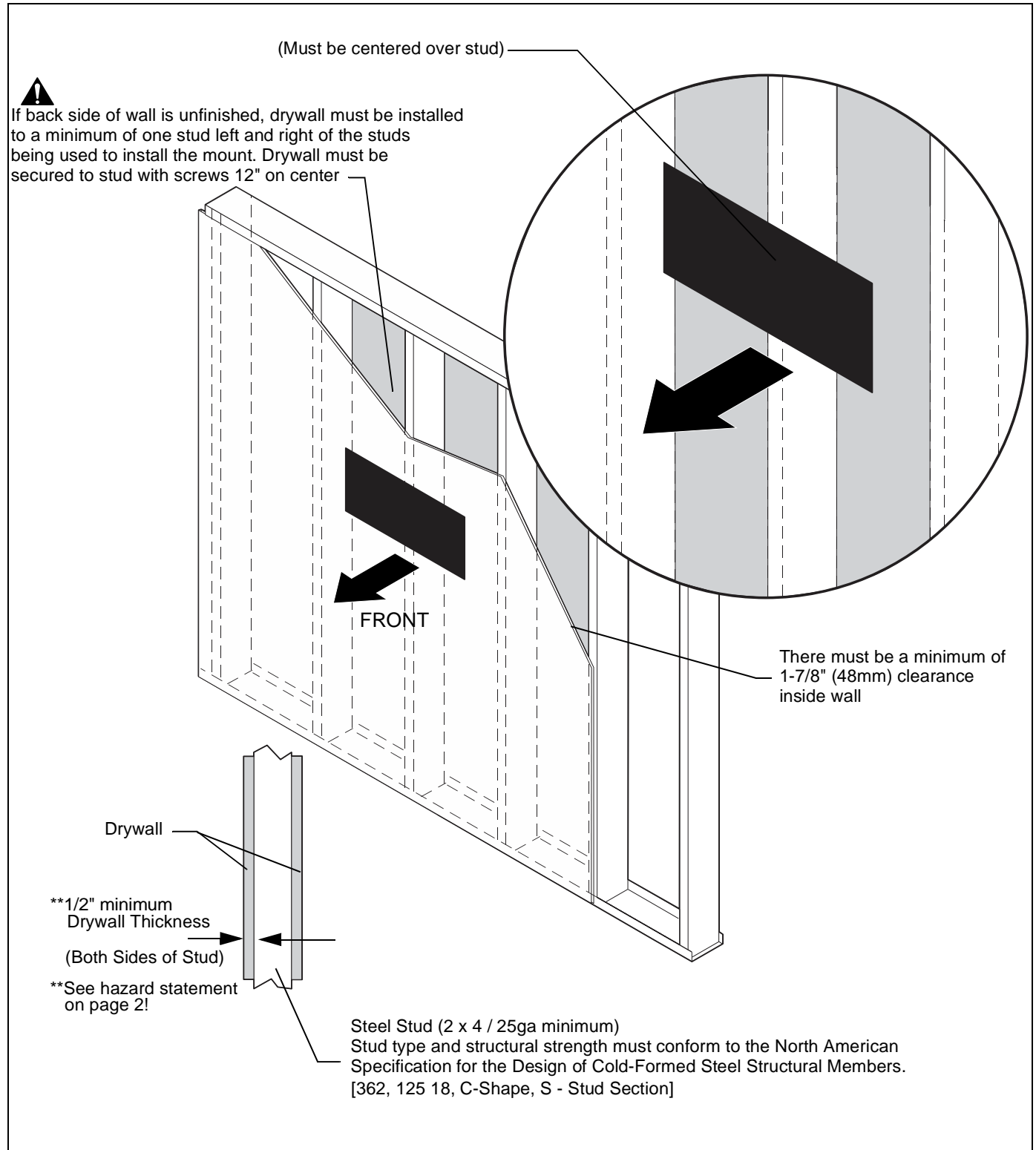
TOOLS REQUIRED FOR INSTALLATION



PARTS



Site Requirements



Assembly And Installation

IMPORTANT ! : The KRAMS accessory is designed to mount Chief's K1W or K2W Series mounting systems to a steel studs wall. Do not attempt to install any other mounting system to this accessory.

1. Hold adapter plate (A) up to the wall on top of steel stud at desired mounting location. (See Figure 1)
2. Mark three hole locations. (See Figure 1)
3. Drill a 1/2" (12.7mm) hole at the desired mounting locations. (See Figure 1)

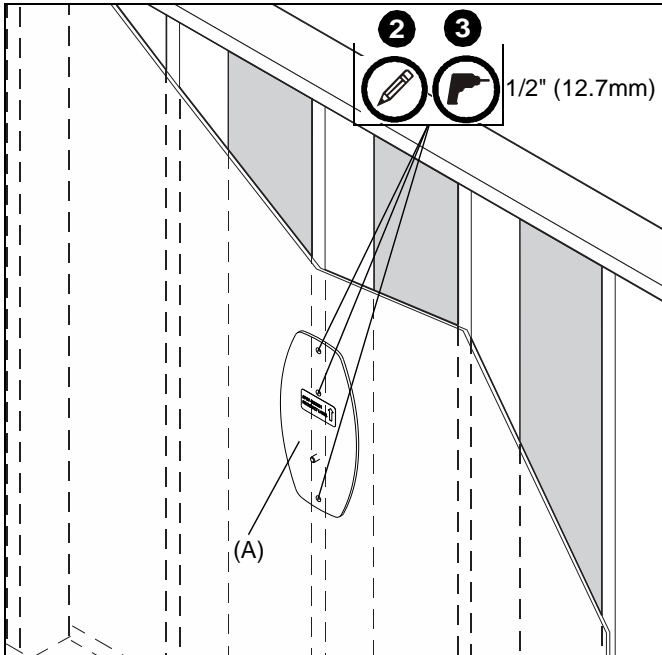


Figure 1

4. Hold metal channel on anchor (D) flat alongside plastic straps and slide channel through hole. (See Figure 2)

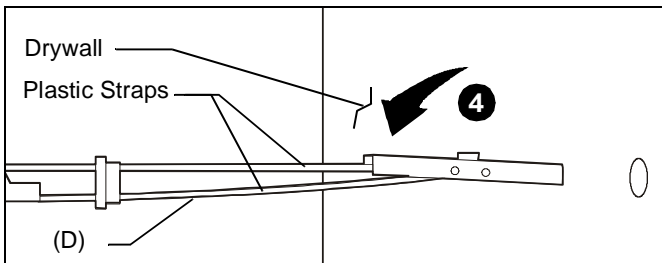


Figure 2

5. Holding plastic straps on anchor (D), pull anchor away from wall until channel rests flush behind wall making sure anchor channel is positioned vertically on stud. (See Figure 3)
6. Slide plastic cap on anchor (D) towards wall until flange of cap is flush with wall. (See Figure 3)

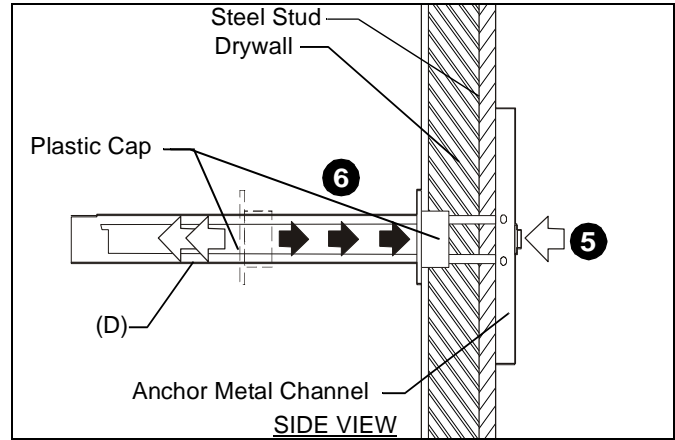


Figure 3

7. Snap off plastic straps on anchor at wall by pushing side to side, snapping off straps level with flange of plastic cap. (See Figure 4)
8. Repeat Steps 3 through 7 for the other mounting hole.

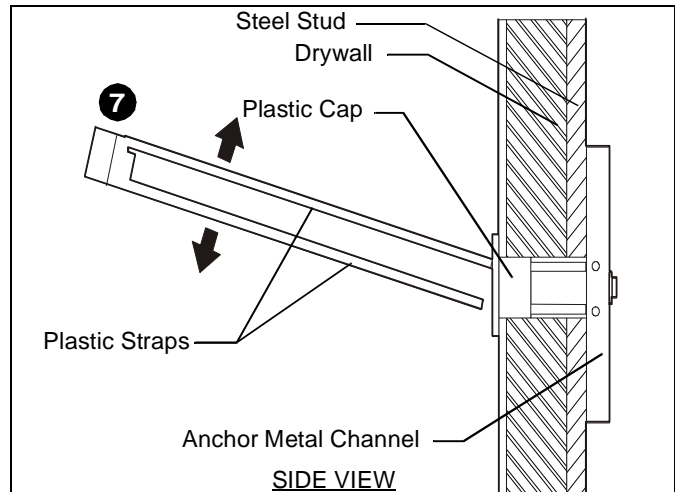


Figure 4

9. Place adapter plate (A) over anchors and align mounting holes on mount with holes in anchors. (See Figure 5)
10. Use two 1/4-20 x 1 3/4" Phillips pan machine screws (B), two screw caps (E) and two 1/4" washers (C) to secure adapter plate to anchors (D) using top and bottom mounting holes. (See Figure 5)

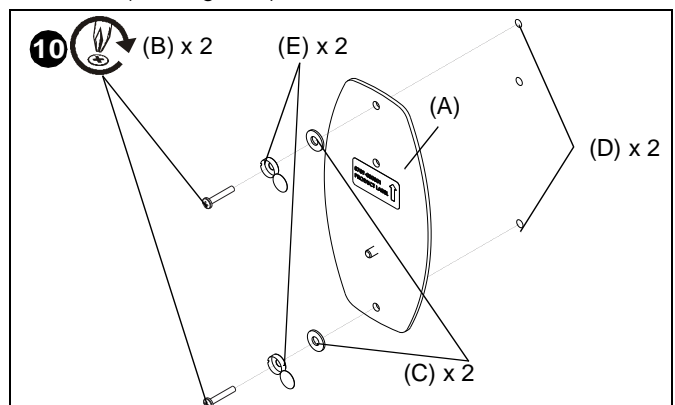


Figure 5

11. Use 1/4-20 hex nut to secure K1W/K2W Series wall plate (included with K1W/K2W mount) to adapter plate (A). (See Figure 6)
12. Use 1/4-20 x 1 3/4" Phillips pan machine screw (B) and 1/4" washer (C) to secure K1W/K2W Series wall plate to adapter plate (A). (See Figure 6)

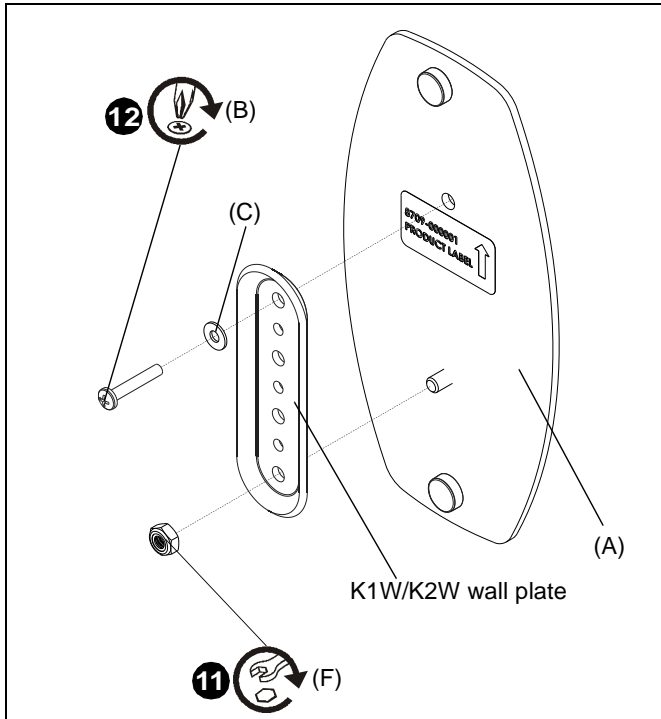


Figure 6

13. Install K1W/K2W mount to wall plate following K1W/K2W installation instructions.



Our Mounts. **Your Vision.**

Chief, a products division of
Milestone AV Technologies

8800-002955 Rev01
©2017 Milestone AV Technologies
www.milestone.com
05/17

USA/International	A 6436 City West Parkway, Eden Prairie, MN 55344
	P 800.582.6480 / 952.225.6000
	F 877.894.6918 / 952.894.6918
Europe	A Franklinstraat 14, 6003 DK Weert, Netherlands
	P +31 (0) 495 580 852
	F +31 (0) 495 580 845
Asia Pacific	A Office No. 918 on 9/F, Shatin Galleria 18-24 Shan Mei Street Fotan, Shatin, Hong Kong
	P 852 2145 4099
	F 852 2145 4477

