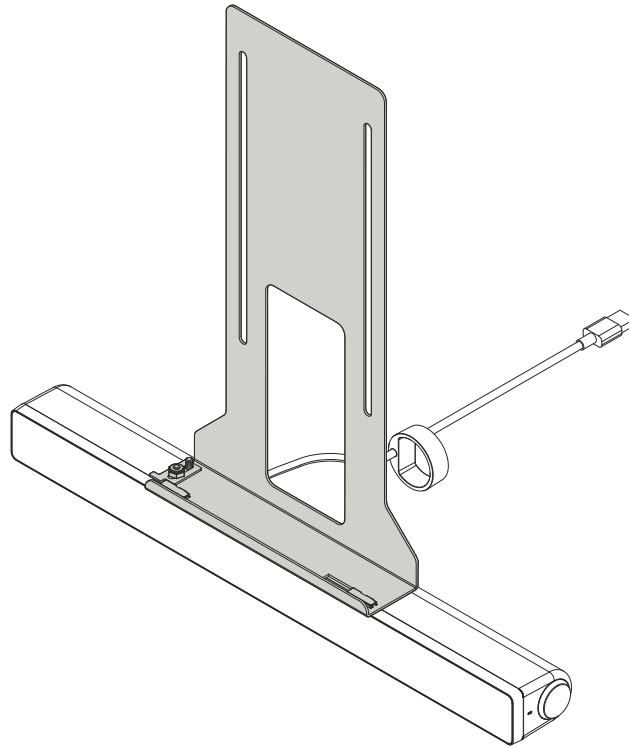


# INSTALLATION INSTRUCTIONS



---

## Soundbar Accessory

---

**DISCLAIMER**

Legrand | AV and its affiliated corporations and subsidiaries (collectively "Legrand | AV"), intend to make this manual accurate and complete. However, Legrand | AV makes no claim that the information contained herein covers all details, conditions or variations, nor does it provide for every possible contingency in connection with the installation or use of this product. The information contained in this document is subject to change without notice or obligation of any kind. Legrand | AV makes no representation of warranty, expressed or implied, regarding the information contained herein. Legrand | AV assumes no responsibility for accuracy, completeness or sufficiency of the information contained in this document.

Chief® is a registered trademark of Legrand AV Inc.

**! IMPORTANT SAFETY INSTRUCTIONS**

**! WARNING:** A WARNING alerts you to the possibility of serious injury or death if you do not follow the instructions.

**! CAUTION:** A CAUTION alerts you to the possibility of damage or destruction of equipment if you do not follow the corresponding instructions.

**! WARNING:** Failure to read, thoroughly understand, and follow all instructions can result in serious personal injury, damage to equipment, or voiding of factory warranty! It is the installer's responsibility to make sure all components are properly assembled and installed using the instructions provided.

**! WARNING:** Exceeding the weight capacity can result in serious personal injury or damage to equipment! It is the installer's responsibility to make sure the combined weight of all components attached to the KSA1026 accessory does not exceed 2 lbs (0.9 kg).

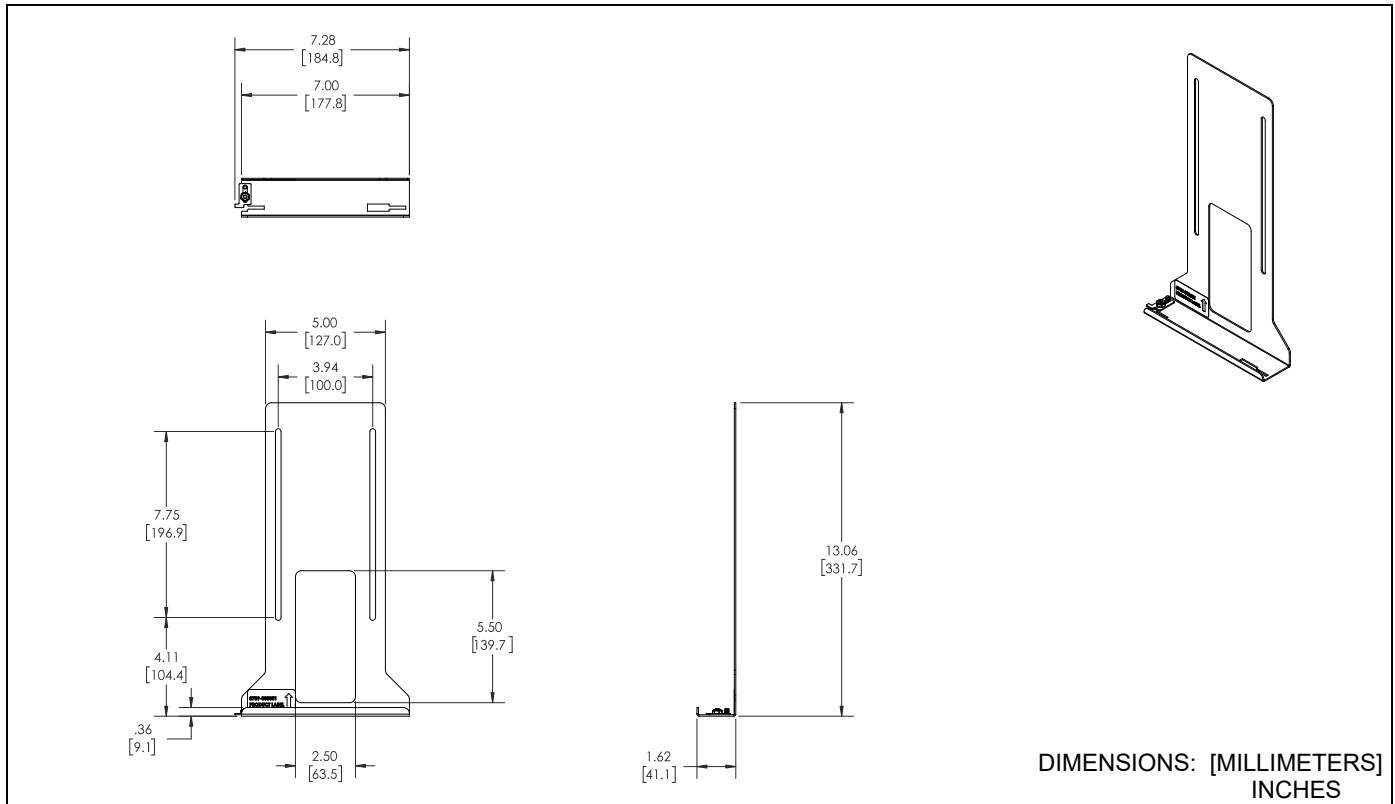
**! WARNING:** Use this accessory only for its intended use as described in these instructions. Do not use attachments not recommended by the manufacturer.

**! WARNING:** Never operate this accessory if it is damaged. Return the accessory to a service center for examination and repair.

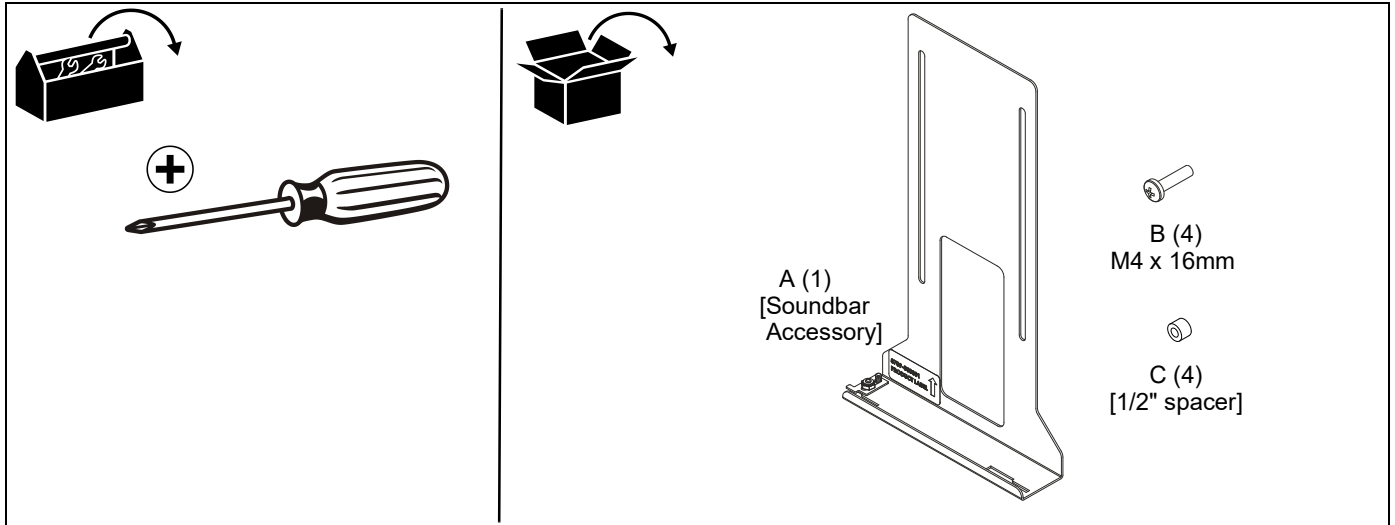
**! WARNING:** Do not use this product outdoors.

**--SAVE THESE INSTRUCTIONS--**

**DIMENSIONS**



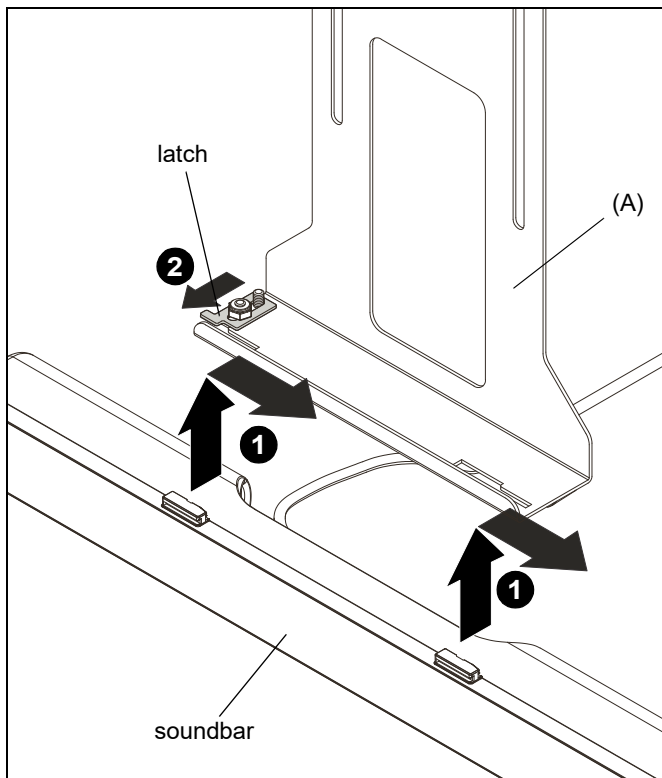
**TOOLS / PARTS FOR INSTALLATION**



**ASSEMBLY AND INSTALLATION**

**NOTE:** The KSA1026 soundbar accessory was designed to be used to attach the Dell AC511 Soundbar to most monitors between 22" and 32" in size.

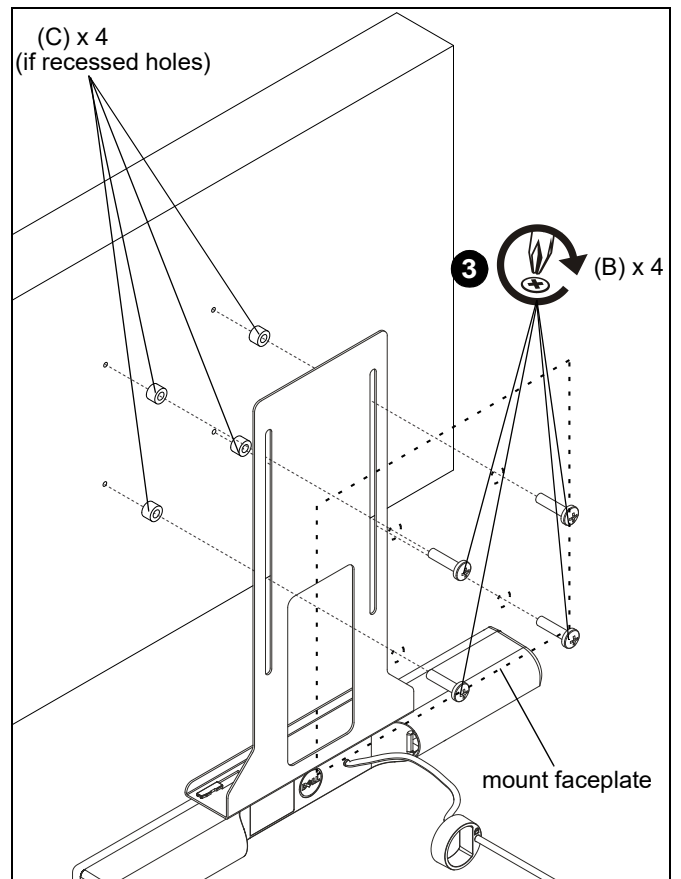
1. Slide soundbar onto bottom of soundbar accessory (A) into slots. (See Figure 1)
2. Slide latch into locked position to secure soundbar to accessory (A). (See Figure 1)



**Figure 1**

**IMPORTANT ! :** Use 1/2" spacers (C) if holes on display are recessed.

**NOTE:** Refer to installation instructions of mount for instructions on determining proper screw size to use if M4 x 16mm screws (B) are not the correct screws to use with the display being mounted.



**Figure 2**

3. Use four M4 x 16mm Phillips pan machine screws (B) or proper length screw (not provided) to secure soundbar bracket (A) to mounting system and back of display. (See Figure 2)

4. Complete the installation following the mount installation instructions.



A brand of  **legrand**

8800-003194 Rev00  
©2019 Legrand | AV  
[www.legrandav.com](http://www.legrandav.com)  
01/20

<b>USA/International</b>	<b>A</b> 6436 City West Parkway, Eden Prairie, MN 55344 <b>P</b> 800.582.6480 / 952.225.6000 <b>F</b> 877.894.6918 / 952.894.6918
<b>Europe</b>	<b>A</b> Franklinstraat 14, 6003 DK Weert, Netherlands <b>P</b> +31 (0) 495 580 852 <b>F</b> +31 (0) 495 580 845
<b>Asia Pacific</b>	<b>A</b> Office No. 918 on 9/F, Shatin Galleria 18-24 Shan Mei Street Fotan, Shatin, Hong Kong <b>P</b> 852 2145 4099 <b>F</b> 852 2145 4477

