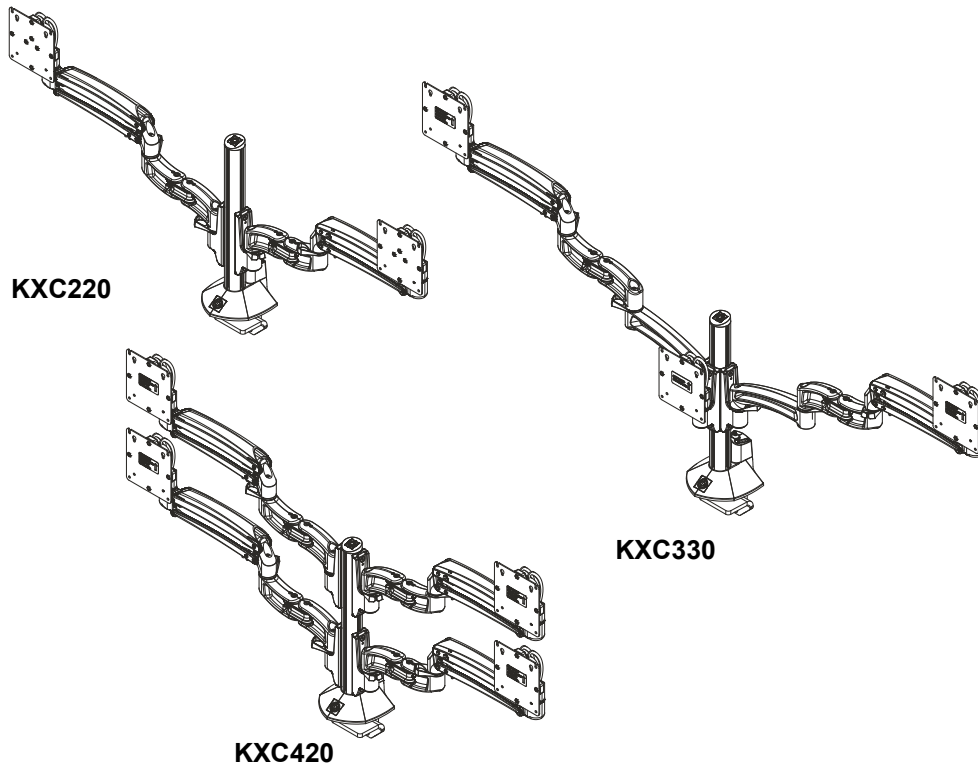


---

# INSTALLATION INSTRUCTIONS

---



---

## KXC Flexlink™ Column Mounts

---

## DISCLAIMER

Legrand | AV and its affiliated corporations and subsidiaries (collectively “Legrand | AV”), intend to make this manual accurate and complete. However, Legrand | AV makes no claim that the information contained herein covers all details, conditions or variations, nor does it provide for every possible contingency in connection with the installation or use of this product. The information contained in this document is subject to change without notice or obligation of any kind. Legrand | AV makes no representation of warranty, expressed or implied, regarding the information contained herein. Legrand | AV assumes no responsibility for accuracy, completeness or sufficiency of the information contained in this document.

## DEFINITIONS

**MOUNTING SYSTEM:** A MOUNTING SYSTEM is the primary Chief product to which an accessory and/or component is attached.

**ACCESSORY:** AN ACCESSORY is the secondary Chief product which is attached to a primary Chief product, and may have a component attached or setting on it.

**COMPONENT:** A COMPONENT is an audiovisual item designed to be attached or resting on an accessory or mounting system such as a video camera, CPU, screen, display, projector, etc.



**WARNING:** A WARNING alerts you to the possibility of serious injury or death if you do not follow the instructions.



**CAUTION:** A CAUTION alerts you to the possibility of damage or destruction of equipment if you do not follow the corresponding instructions.



## IMPORTANT SAFETY INSTRUCTIONS!



**WARNING:** Failure to read, thoroughly understand, and follow all instructions can result in serious personal injury, damage to equipment, or voiding of factory warranty! It is the installer’s responsibility to make sure all mounting systems are properly assembled and installed using the instructions provided.



**WARNING:** Failure to provide adequate structural strength for this mounting system can result in serious personal injury or damage to equipment! It is the installer’s responsibility to make sure the structure to which this mounting system is attached can support five times the combined weight of all equipment. Reinforce the structure as required before installing the mounting system.



**WARNING:** Use this mounting system only for its intended use as described in these instructions. Do not use attachments not recommended by the manufacturer.



**WARNING:** Do not use this product outdoors.



**WARNING:** Never operate this mounting system if it is damaged. Return the mounting system to a service center for examination and repair.

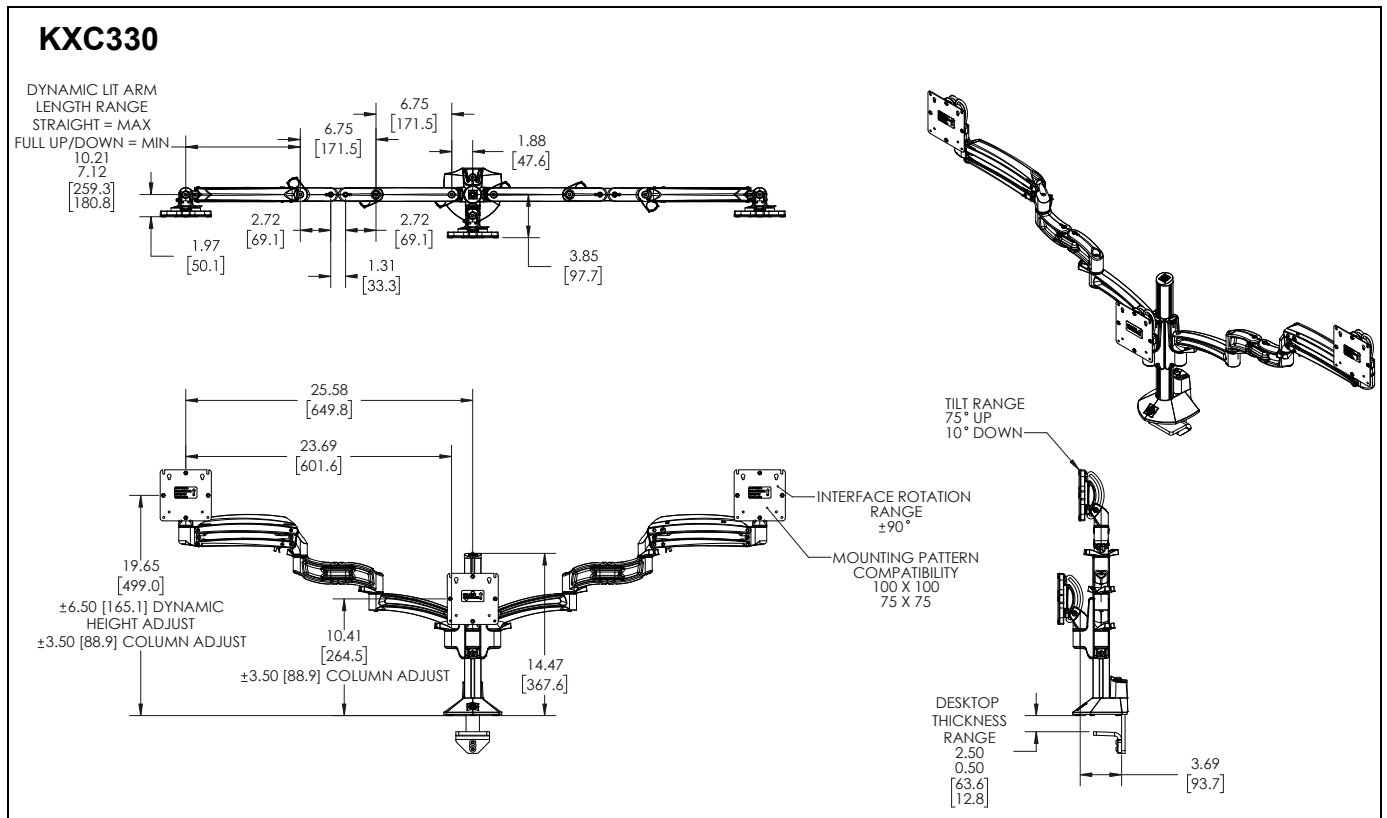
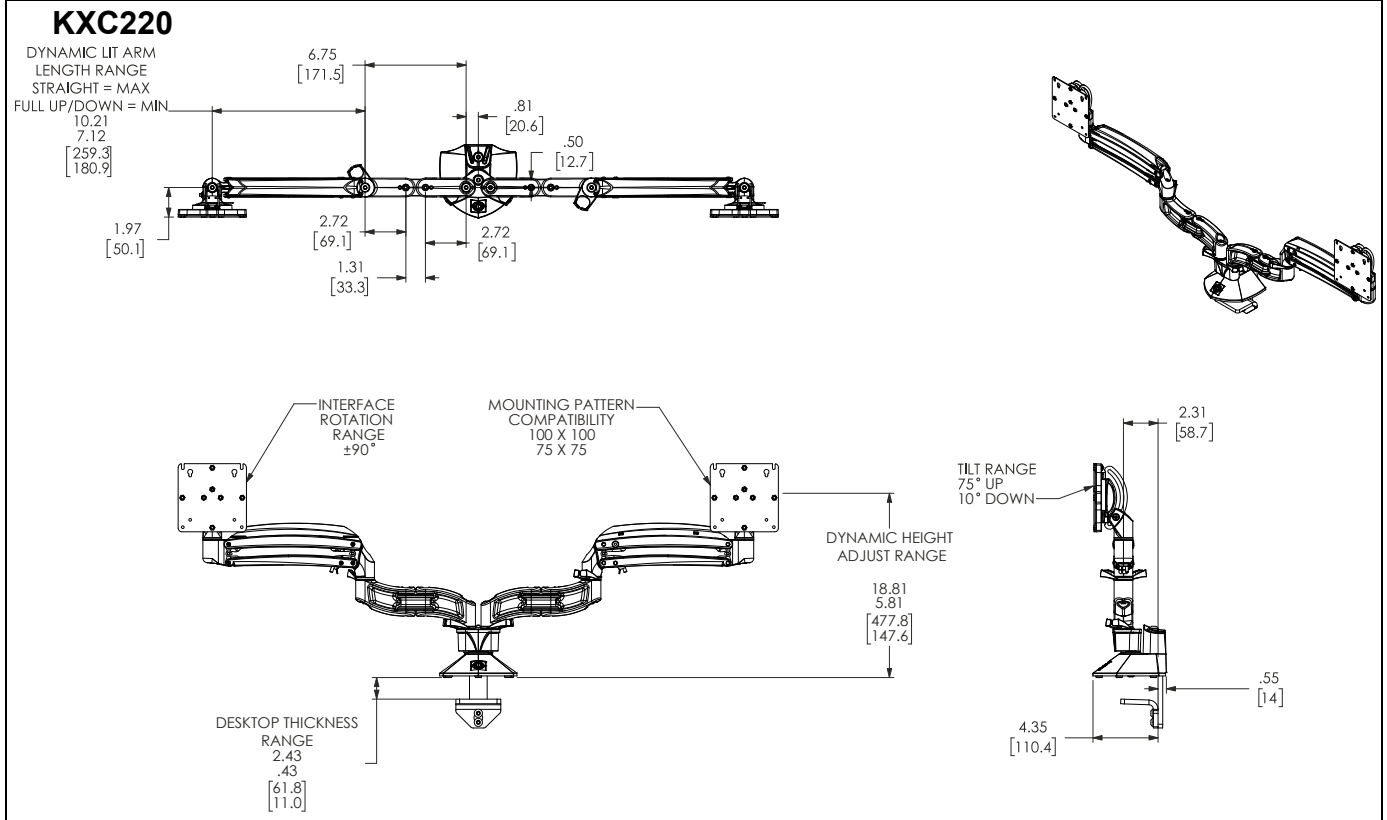


**WARNING:** Exceeding the weight capacity can result in serious personal injury or damage to equipment! It is the installer’s responsibility to make sure the combined weight of all components located between the K1C Series Monitor Arm and the desk up to (and including) the display does not the weight limits listed in the table below. Use with products heavier than the maximum weight indicated may result in collapse of the mount and its accessories causing possible injury.

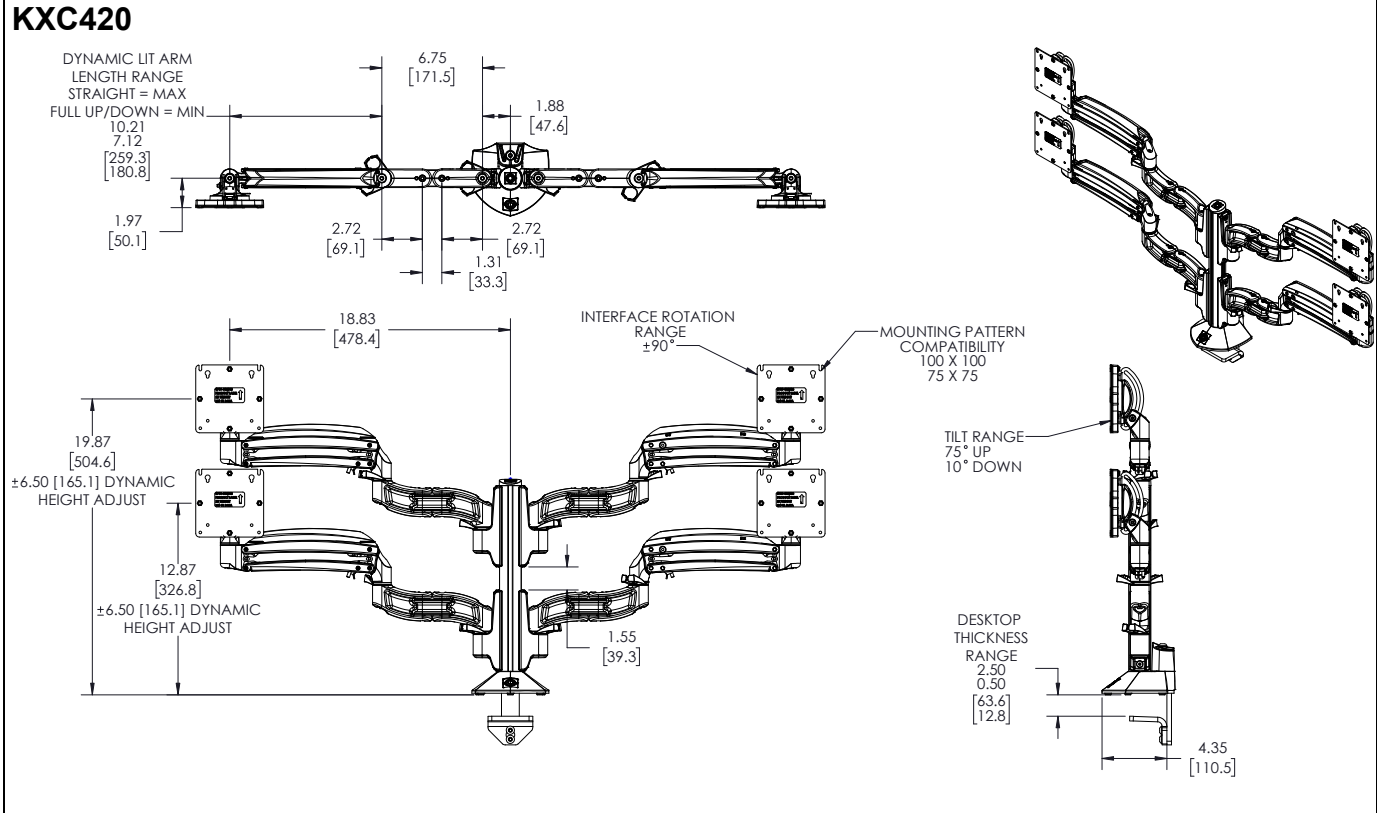
### --SAVE THESE INSTRUCTIONS!--

MODEL	Max Weight Allowed for <u>EACH</u>	Max Weight Capacity of
KXC220	25 lbs (11.34 kg)	50 lbs (22.68 kg)
KXC330	20 lbs (9.07 kg)	60 lbs (27.2 kg)
KXC420	20 lbs (9.07 kg)	80 lbs (36.3 kg)

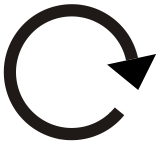

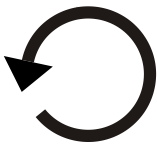


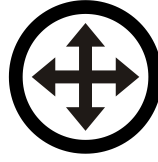
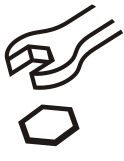





**DIMENSIONS**



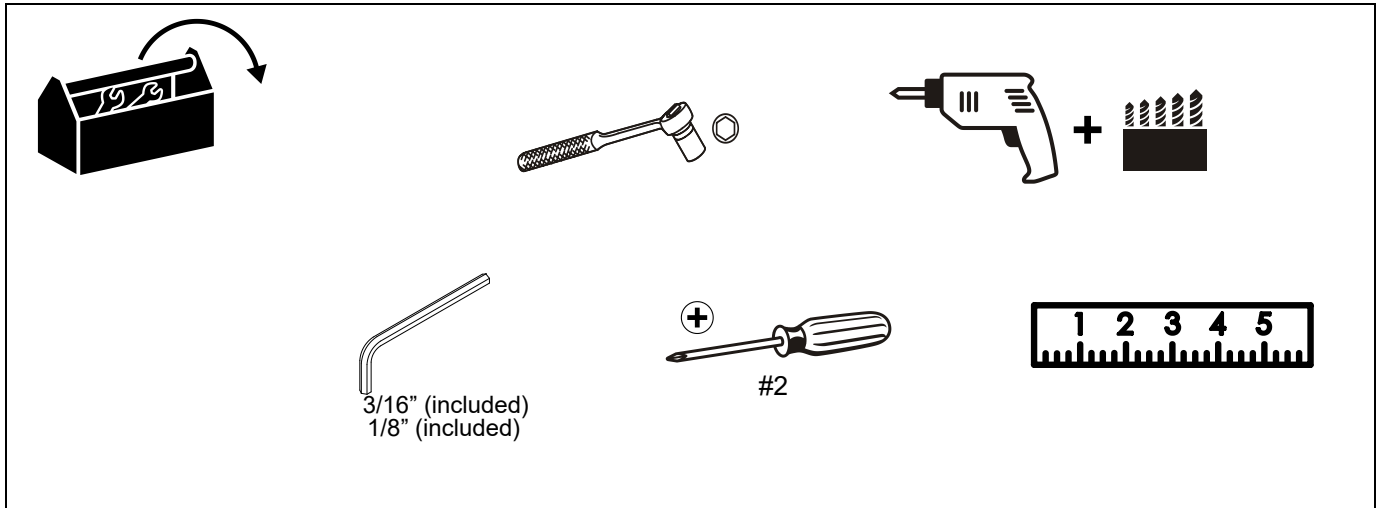
**DIMENSIONS (Continued)**



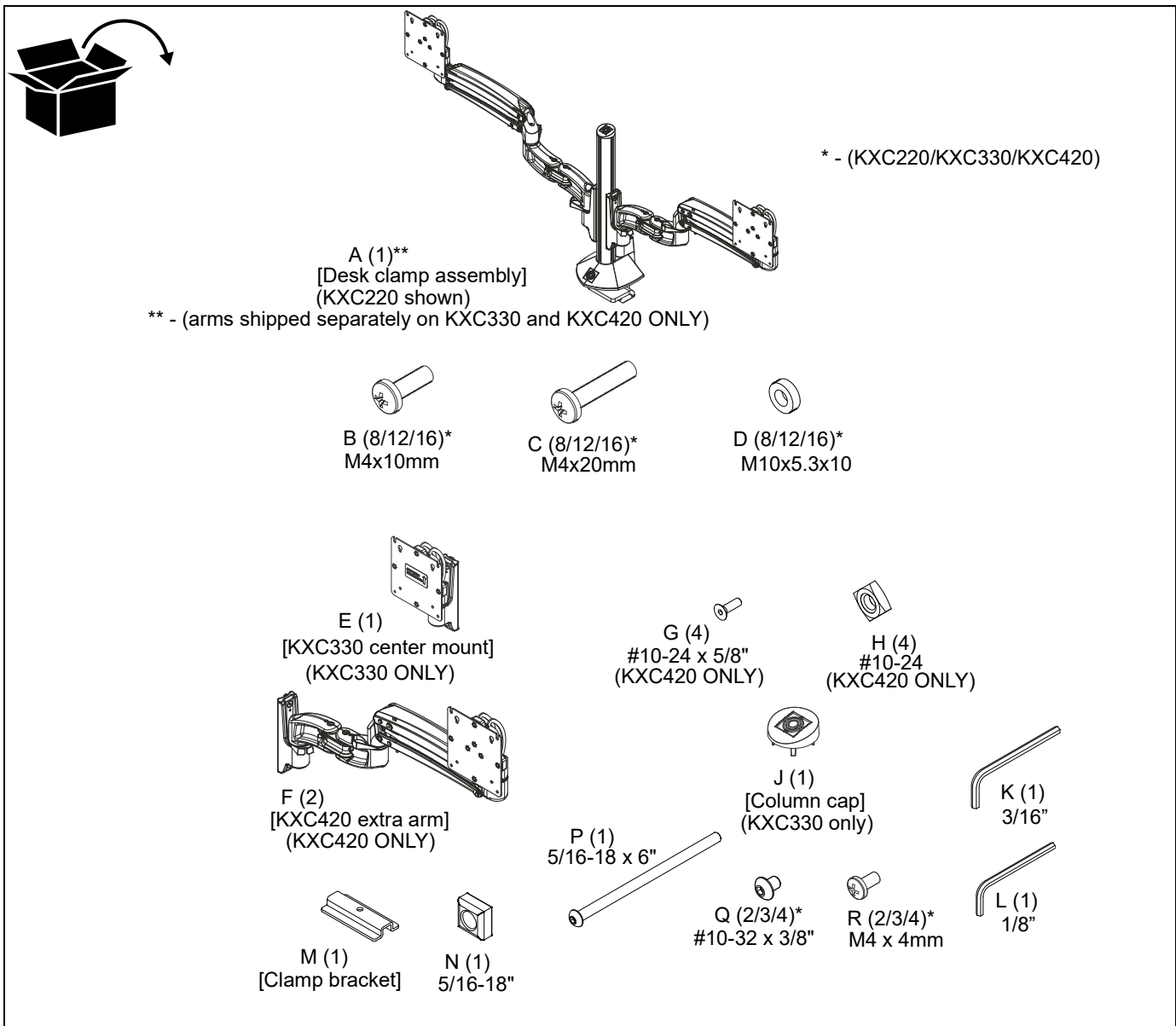
**LEGEND**

	<p><b>Tighten Fastener</b></p> <p>Apretar elemento de fijación</p> <p>Befestigungsteil festziehen</p> <p>Apertar fixador</p> <p>Serrare il fissaggio</p> <p>Bevestiging vastdraaien</p> <p>Serrez les fixations</p>		<p><b>Pencil Mark</b></p> <p>Marcar con lápiz</p> <p>Stiftmarkierung</p> <p>Marcar com lápis</p> <p>Segno a matita</p> <p>Potloodmerkteken</p> <p>Marquage au crayon</p>
	<p><b>Loosen Fastener</b></p> <p>Aflojar elemento de fijación</p> <p>Befestigungsteil lösen</p> <p>Desapertar fixador</p> <p>Allentare il fissaggio</p> <p>Bevestiging losdraaien</p> <p>Desserrez les fixations</p>		<p><b>Drill Hole</b></p> <p>Perforar</p> <p>Bohrloch</p> <p>Fazer furo</p> <p>Praticare un foro</p> <p>Gat boren</p> <p>Percez un trou</p>
	<p><b>Phillips Screwdriver</b></p> <p>Destornillador Phillips</p> <p>Kreuzschlitzschraubendreher</p> <p>Chave de fendas Phillips</p> <p>Cacciavite a stella</p> <p>Kruiskopschroevendraaier</p> <p>Tournevis à pointe cruciforme</p>		<p><b>Adjust</b></p> <p>Ajustar</p> <p>Einstellen</p> <p>Ajustar</p> <p>Regolare</p> <p>Afstellen</p> <p>Ajuster</p>
	<p><b>Open-Ended Wrench</b></p> <p>Llave de boca</p> <p>Gabelschlüssel</p> <p>Chave de bocas</p> <p>Chiave a punte aperte</p> <p>Steeksleutel</p> <p>Clé à fourche</p>		<p><b>Remove</b></p> <p>Quitar</p> <p>Entfernen</p> <p>Remover</p> <p>Rimuovere</p> <p>Verwijderen</p> <p>Retirez</p>
	<p><b>By Hand</b></p> <p>A mano</p> <p>Von Hand</p> <p>Com a mão</p> <p>A mano</p> <p>Met de hand</p> <p>À la main</p>		<p><b>Optional</b></p> <p>Opcional</p> <p>Optional</p> <p>Opcional</p> <p>Opzionale</p> <p>Optie</p> <p>En option</p>
	<p><b>Hex-Head Wrench</b></p> <p>Llave de cabeza hexagonal</p> <p>Sechskantschlüssel</p> <p>Chave de cabeça sextavada</p> <p>Chiave esagonale</p> <p>Zeskantsleutel</p> <p>Clé à tête hexagonale</p>		<p><b>Security Wrench</b></p> <p>Llave de seguridad</p> <p>Sicherheitsschlüssel</p> <p>Chave de segurança</p> <p>Chiave di sicurezza</p> <p>Veiligheidssleutel</p> <p>Clé de sécurité</p>

**TOOLS REQUIRED FOR INSTALLATION**



**PARTS**



## Assembly And Installation

### Connecting Desk Clamp Arms to Desk Standard Installation to Desk Edge

1. Loosen clamp screw until enough space is created between clamp and mount to allow for desk mounting. (See Figure 1)

**NOTE:** If space is limited behind desk (i.e. against wall, etc.), remove lower piece of clamp and two screws holding it to the mount and reattach parts prior to Step 3! (See Figure 2)

2. Place mount (A) on top of desk at desired mounting location. (See Figure 1)
3. Tighten clamp using clamp screw until mount is securely fastened to desk. (See Figure 1)

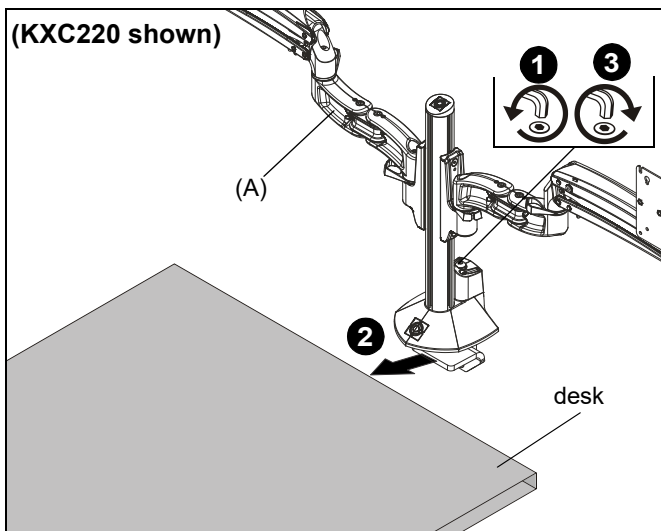


Figure 1

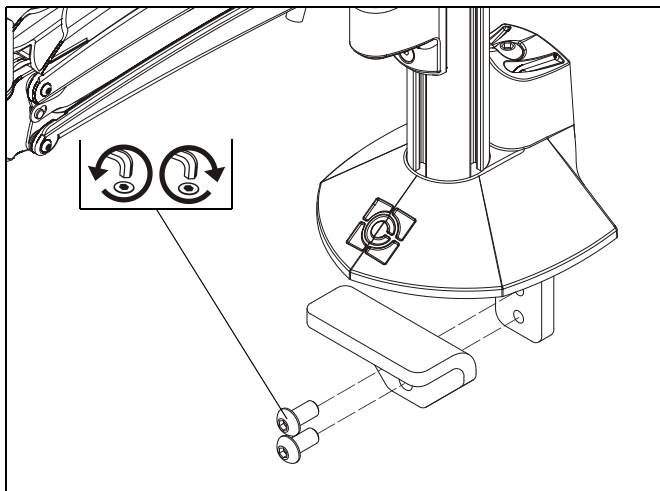


Figure 2

### Grommet Hole Option

**NOTE:** KXC clamp mounts may be installed directly to grommet holes between 1 1/4" and 2 1/2" in diameter. If grommet hardware (M-P) is used, they can be installed to grommet holes between 3/8" and 2 1/2" in diameter.

#### Direct Installation

1. Remove lower piece of clamp from assembly by removing two button head cap screws holding piece to assembly. (See Figure 3)
2. Install remaining part of clamp through grommet hole. (See Figure 3)

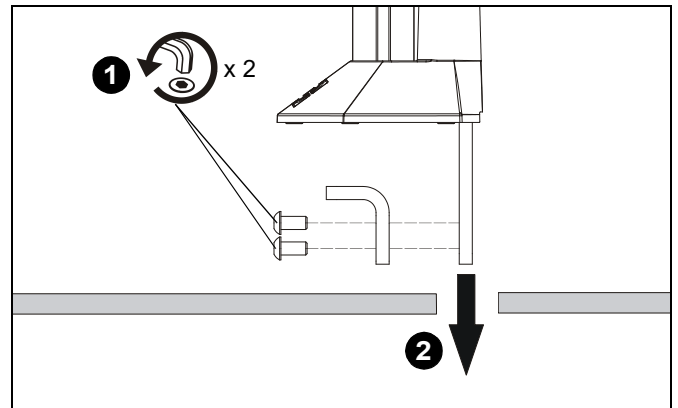


Figure 3

3. Reattach removed piece of clamp and screws to assembly. (See Figure 4)
4. Tighten clamp using clamp screw until mount is securely fastened to desk. (See Figure 4)

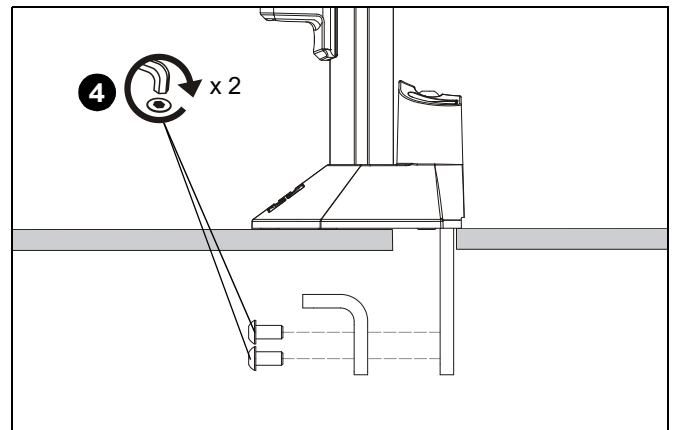
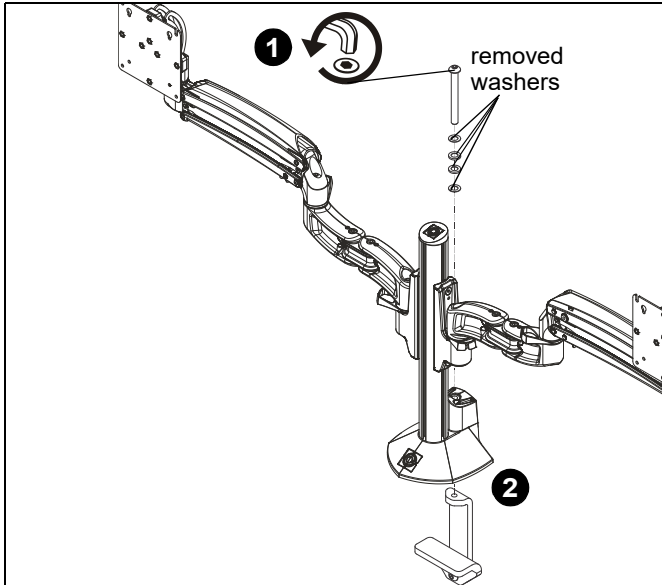


Figure 4

**Using Grommet Hardware**

1. Remove desk clamp from mount by loosening button head cap screw until clamp is completely disengaged from the bolt. (See Figure 5)
2. Maneuver clamp so that it is totally removed from desk mount. (See Figure 5)

**NOTE:** Set removed washers aside for re-use.

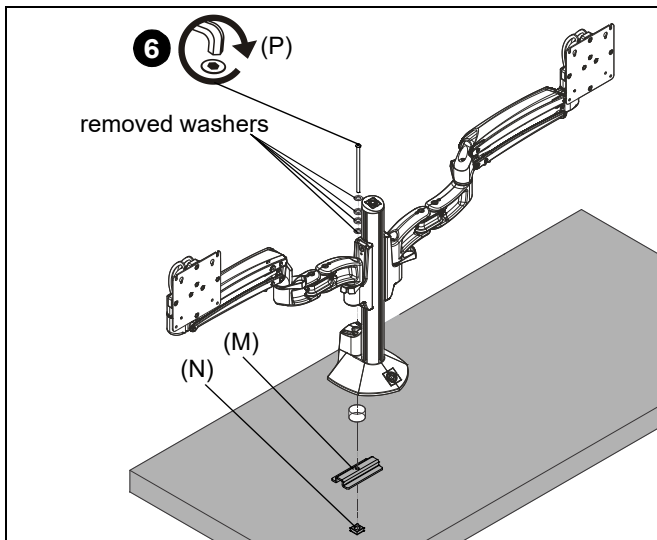


**Figure 5**

3. Locate a flat surface (thickness of 3/4" minimum to 3 1/2" maximum) on which to mount the column plate.
4. If mounting hole does not already exist on desk, drill 3/8" mounting hole in desk at desired mounting location.

**IMPORTANT ! :** Mounting hole must be between 3/8" and 2 1/2" in diameter!

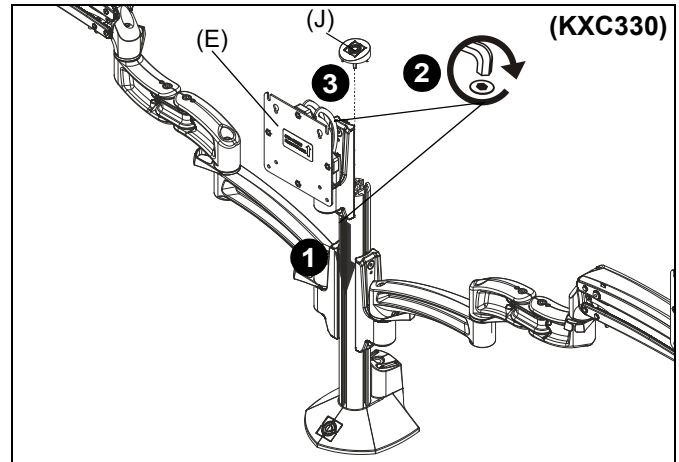
5. Place mount on desk over grommet hole. (See Figure 6)
6. Use 5/16-18 x 6" button head cap screw (P), removed washers, clamp bracket (M) and 5/16-18" square nut (N) to secure mount to desk. (See Figure 6)



**Figure 6**

**Installing Additional KXC330 Arm (KXC330 ONLY)**

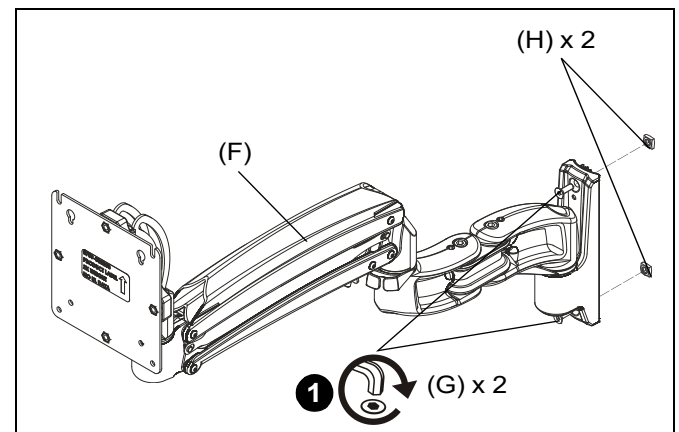
1. Slide center mount (E) into column grooves at desired mounting height.
2. Tighten two screws on base of arm to secure KXC330 center mount (E) to column. (See Figure 7)
3. Install column cap (J) to top of column. (See Figure 7)



**Figure 7**

**Installing Additional KXC420 Arms (KXC420 ONLY)**

1. Loosely install two #10-24 x 5/8" flat head cap screws (G) through holes on each KXC420 arm (F) and into two #10-24 square nuts (H). (See Figure 8)



**Figure 8**



2. Remove column cap from column.
3. Slide arms (F) into column grooves at desired mounting height.
4. Tighten two screws on base of each arm to secure KXC420 arms (F) to column. (See Figure 9)
5. After all arms have been installed, install re-install column cap to top of column.

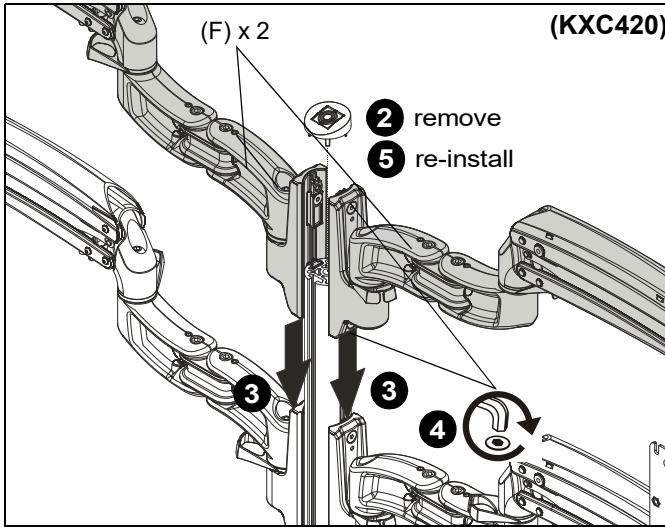


Figure 9

**Display Installation**

1. Remove quick release faceplate from mount by pulling quick release lever and sliding faceplate off mount. (See Figure 10)

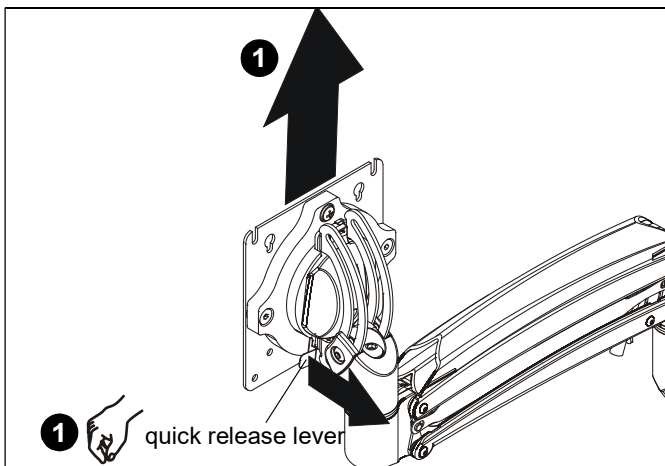


Figure 10



**WARNING:** Exceeding the weight capacity can result in serious personal injury or damage to equipment! It is the installer's responsibility to make sure the combined weight of all components located between the KXC Series Monitor Arm up to (and including) the display does not the weight limits listed in the table below. Use with products heavier than the maximum weight indicated may result in collapse of the mount and its accessories causing possible injury.

MODEL	Max Weight Allowed for EACH	Max Weight Capacity of
KXC220	25 lbs (11.34 kg)	50 lbs (22.68 kg)
KXC330	20 lbs (9.07 kg)	60 lbs (27.2 kg)
KXC420	20 lbs (9.07 kg)	80 lbs (36.3 kg)

2. Carefully place display face down on protective surface.
3. Connect faceplate to display

For flush mounting hole installation:

- Using Phillips screwdriver, carefully install four M4x10mm screws (B) through corresponding holes on faceplate and into the mounting holes on the display. (See Figure 11)

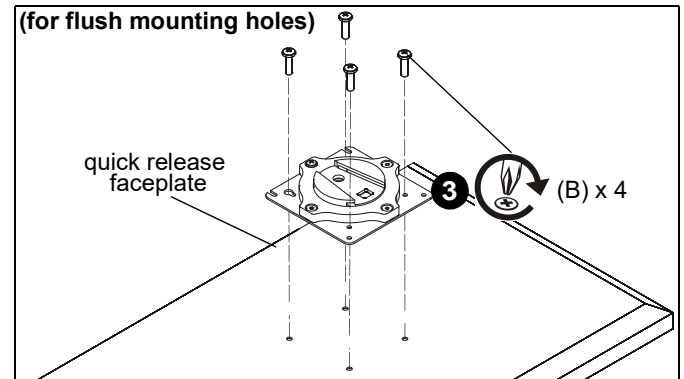


Figure 11

For recessed mounting hole installation:

- Place four spacers (D) on top of mounting holes on back of display. (See Figure 12)
- Using Phillips screwdriver, carefully install four M4x20mm screws (C) through corresponding holes on faceplate, spacers (D) and into the mounting holes on the display. (See Figure 12)

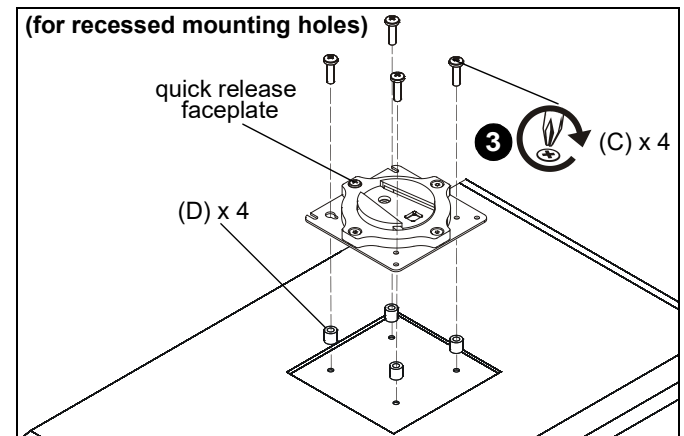


Figure 12

4. Position display with faceplate attached above mount. (See Figure 13)
5. Slide faceplate onto mounting head until quick release tab clicks into place. (See Figure 13)

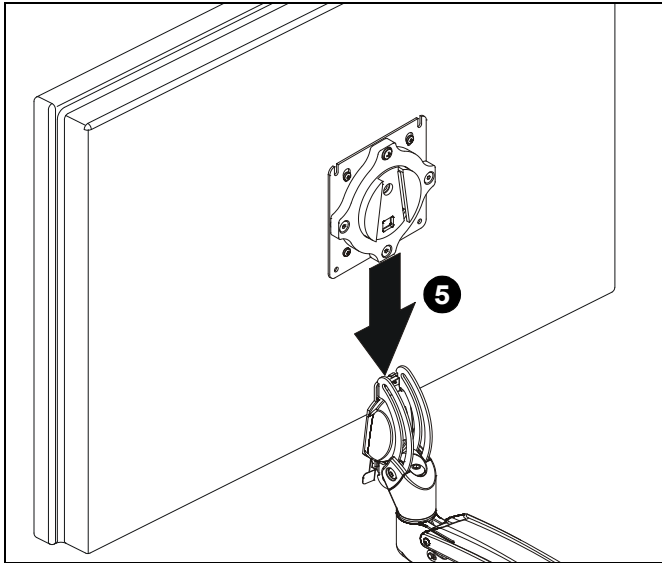


Figure 13

## Adjustments

### Low Profile Adjustment

1. Adjust inside arm to achieve desired low profile depth. (See Figure 14) and (See Figure 15)
2. Use 1/8" hex key (L) to adjust low profile tension screws to change tension. (See Figure 14) and (See Figure 15)

**IMPORTANT !** : Only adjust small set screws on arms!  
Large screws are the screws that hold arms together.  
(See Figure 14)

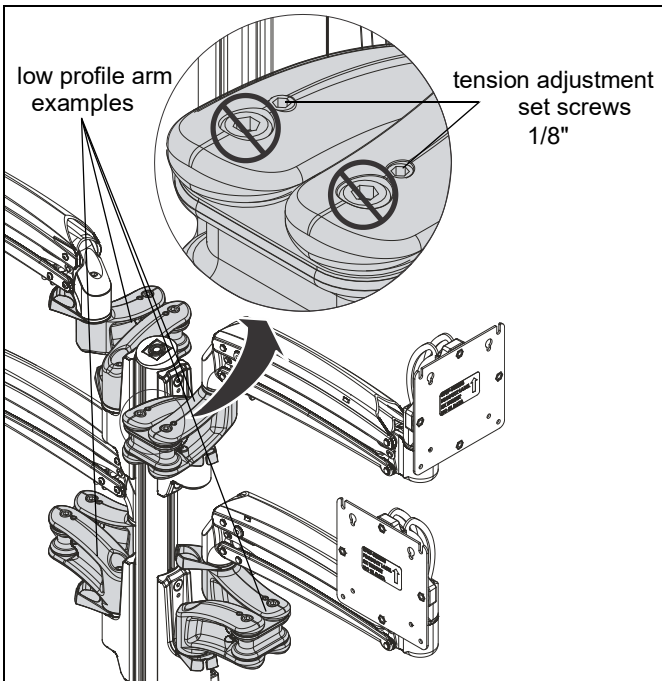


Figure 14

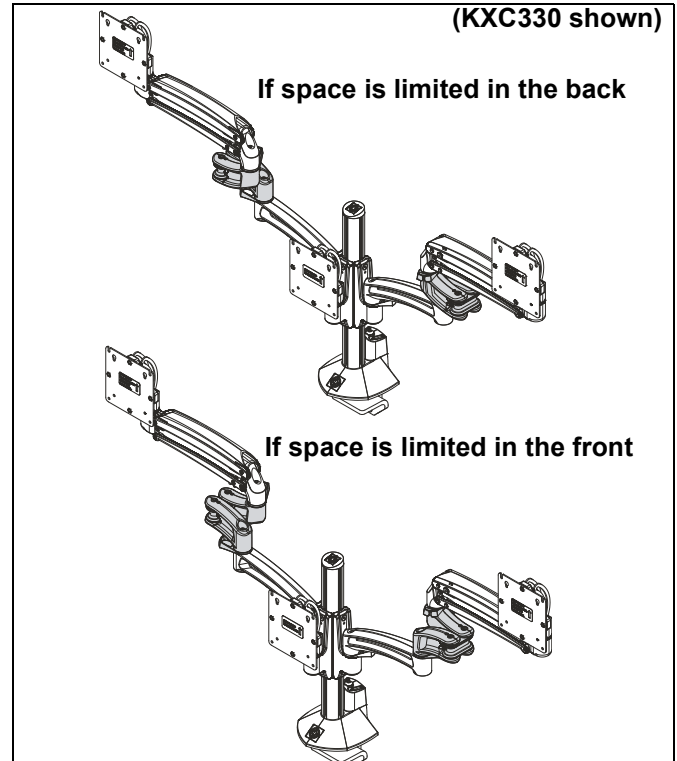


Figure 15

### Pitch Adjustment

1. Adjust pitch to desired tilt position. (See Figure 16)
2. Adjust pitch tension screw to change the adjustment tension. (See Figure 16)

### Pivot Adjustment

3. Adjust pivot position as desired. (See Figure 16)
4. Use 3/16" hex key (K) to adjust pivot point tension screws to change pivot adjustment tension. (See Figure 16)

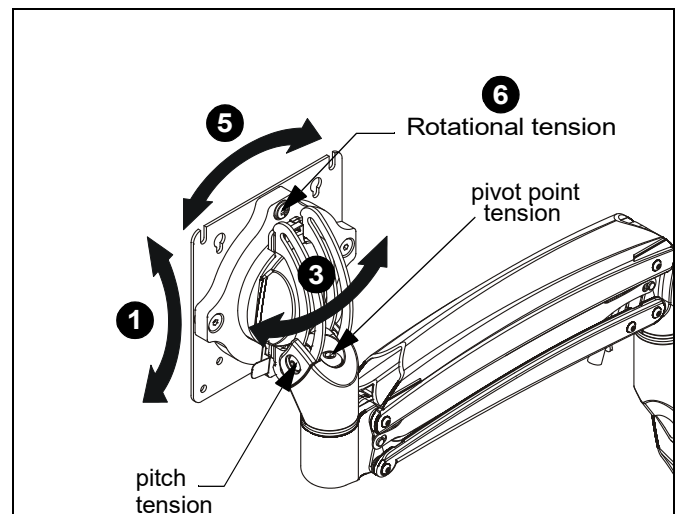


Figure 16

### Rotational Adjustment

**NOTE:** (Optional) Rotational adjustment may be locked by installing rotational locking screw (Q) into back of faceplate. (See Figure 17)

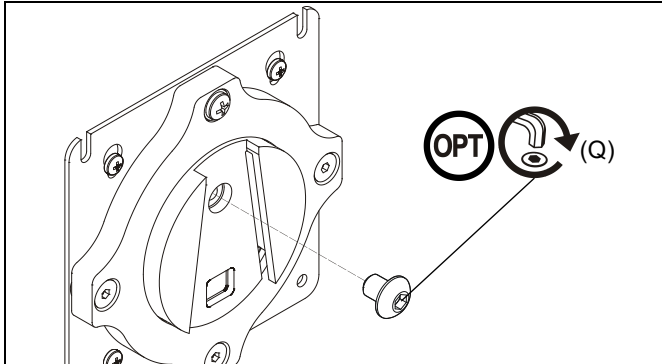


Figure 17

5. The monitor may be adjusted 90 degrees in either direction in order to provide a portrait view of the monitor. (See Figure 16)
6. Use 3/16" hex key (K) to adjust rotational adjustment screw to adjust rotational tension. (See Figure 16)

### Lift Arm Tension Adjustment

1. Tension may be adjusted with tension adjustment screw inside cable management cover and 1/8" hex key (L). Turn clockwise to reduce tension or counter-clockwise to increase tension. (See Figure 18)

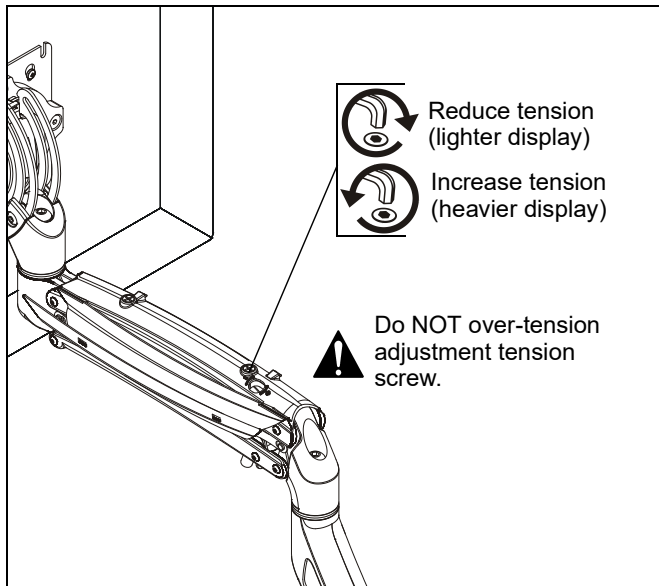


Figure 18

### Display Removal



**WARNING:** Only remove display from mount when the display can be lifted up from the mount! DO NOT remove display unless the display is in the upright position! (See Figure 19)

1. Make sure display is in the upright position.
2. Remove quick release faceplate from mount by pulling quick release lever and sliding faceplate off mount. (See Figure 19)

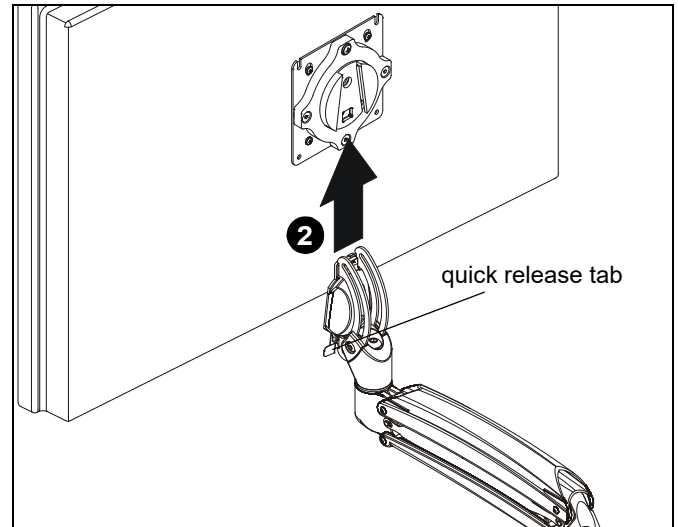


Figure 19

### Display Removal Security Screw

**NOTE:** In order to prevent display from being easily removed from mount using the quick release lever, install M4x4mm security screw (R) into lower hole on back of faceplate. (See Figure 20)

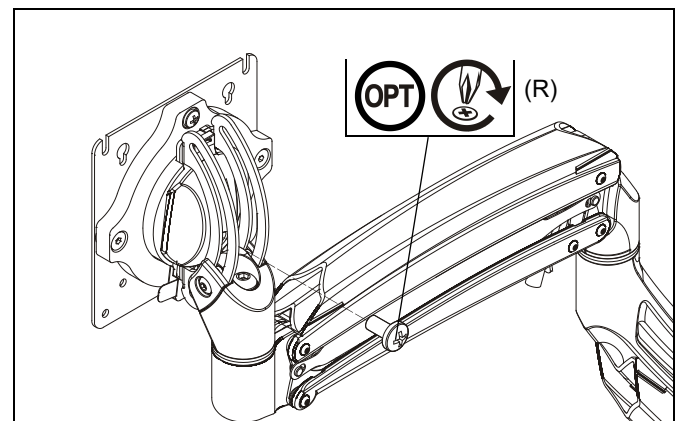
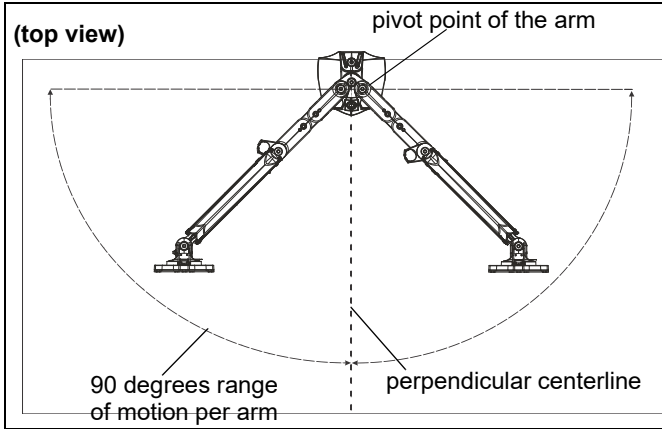


Figure 20

**Pivot Adjustment Range**

1. Adjust arm angles as desired within a 90 degree range from the pivot point of the arm and a perpendicular centerline of mount. (See Figure 21)

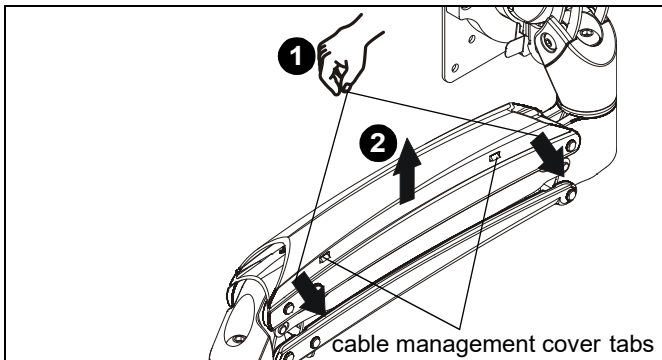
**WARNING:** Swinging the arm beyond this range may result in the mount slipping off the desk causing serious injury!



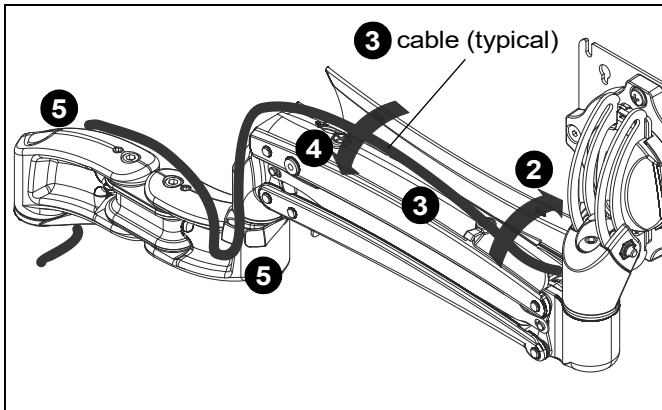
**Figure 21**

**Cable Management**

1. Press insides of cable management covers at both ends to unhinge tabs on either end of cable management cover on upper arm. (See Figure 22)
2. Lift cable management cover up until tabs are unhinged and cover is in the "open" position. (See Figure 22)



**Figure 22**



**Figure 23**

3. Route cables through cable management channel on upper arm. (See Figure 23)

**IMPORTANT ! :** Be sure to leave enough slack in the cables near display and arm joint to allow for full arm articulation!

4. Close cable management covers on monitor arm. (See Figure 23)
5. Route cables through cable clips on lower arm(s). (See Figure 23)









A brand of  **legrand**

8800-003093 Rev00  
©2018 Legrand | AV  
[www.legrandav.com](http://www.legrandav.com)  
12/18

<b>USA/International</b>	<b>A</b> 6436 City West Parkway, Eden Prairie, MN 55344 <b>P</b> 800.582.6480 / 952.225.6000 <b>F</b> 877.894.6918 / 952.894.6918
<b>Europe</b>	<b>A</b> Franklinstraat 14, 6003 DK Weert, Netherlands <b>P</b> +31 (0) 495 580 852 <b>F</b> +31 (0) 495 580 845
<b>Asia Pacific</b>	<b>A</b> Office No. 918 on 9/F, Shatin Galleria 18-24 Shan Mei Street Fotan, Shatin, Hong Kong <b>P</b> 852 2145 4099 <b>F</b> 852 2145 4477

