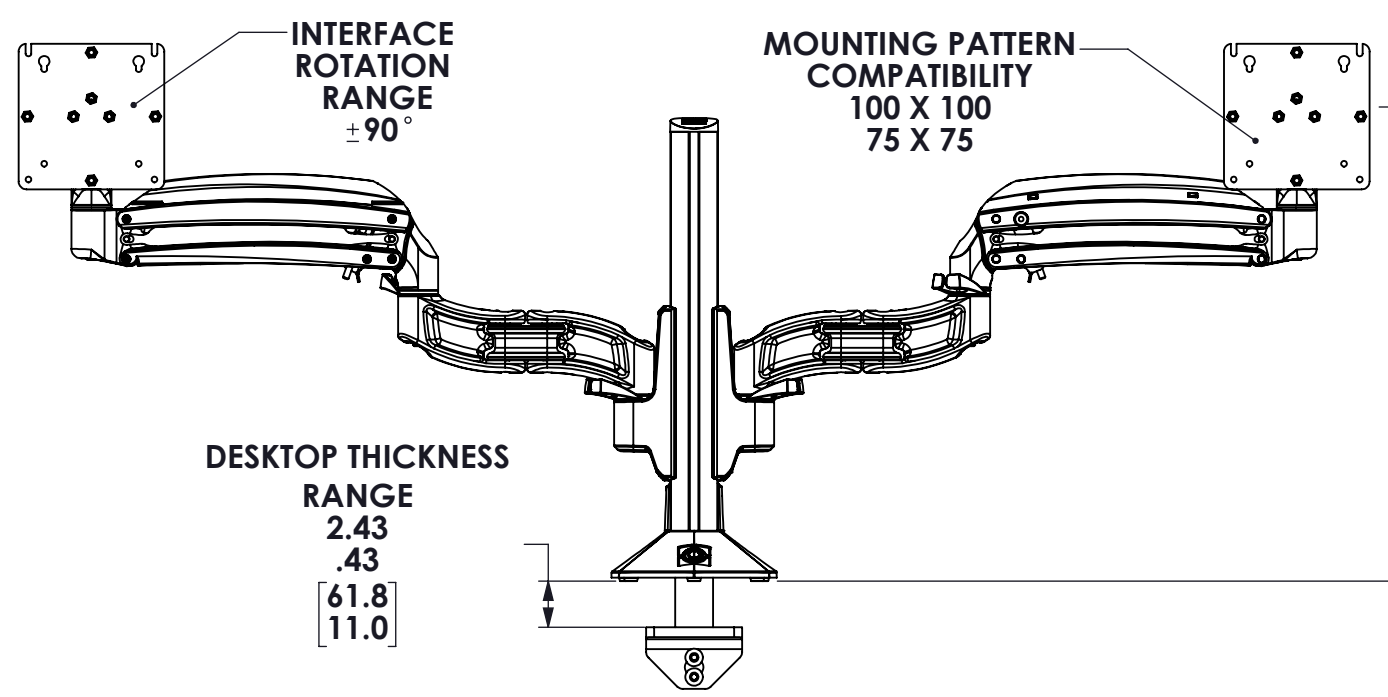
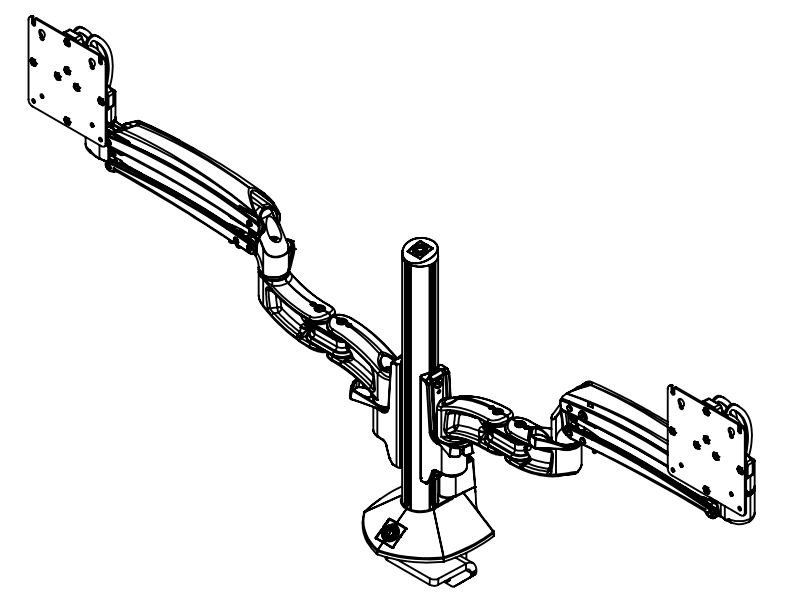
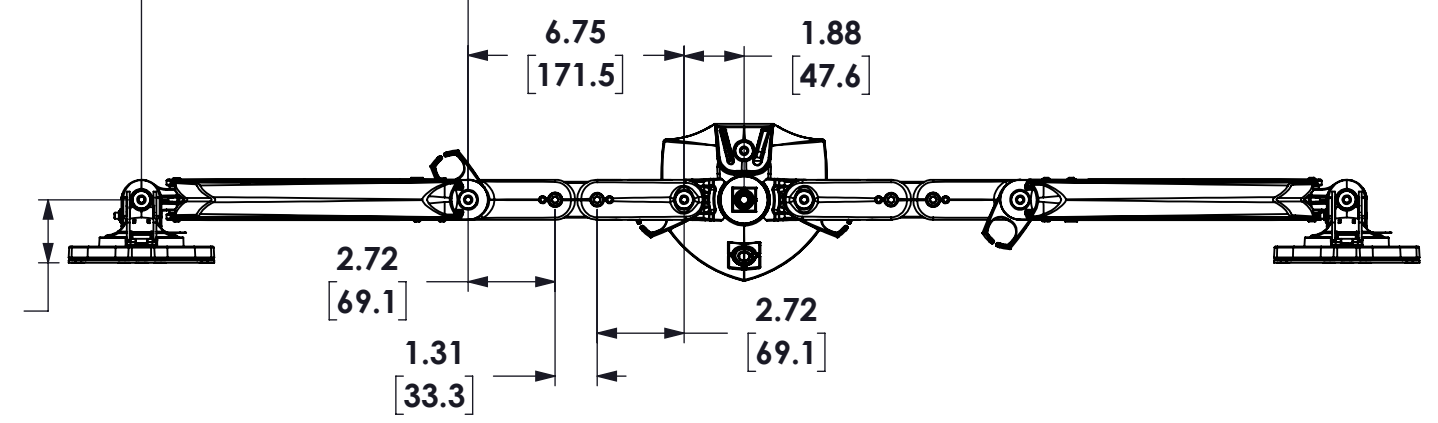


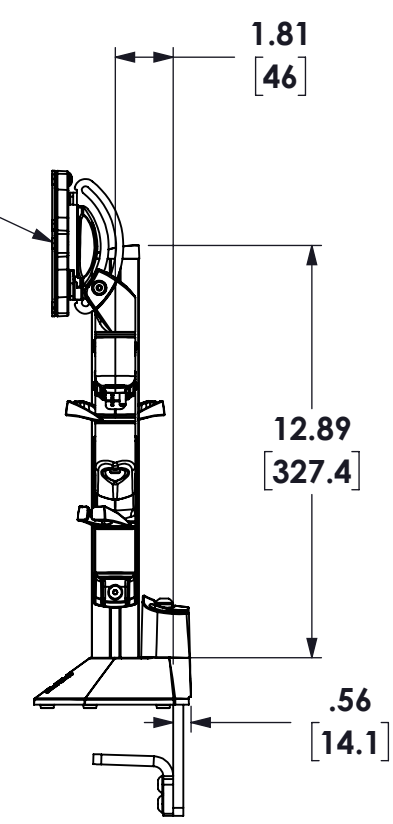
DYNAMIC LIT ARM
LENGTH RANGE
STRAIGHT = MAX
FULL UP/DOWN = MIN

10.21
7.12
[259.3]
[180.9]



TILT RANGE
75° UP
10° DOWN

HEIGHT ADJUST RANGE
MANUAL (7") + DYNAMIC (13")
26.68
6.68
[677.7]
[169.7]



THE INFORMATION AND DESIGNS CONTAINED IN THIS DRAWING ARE CONFIDENTIAL AND THE PROPRIETARY PROPERTY OF MILESTONE AV TECHNOLOGIES NEITHER THIS DESIGN NOR ANY INFORMATION CONTAINED IN THIS DRAWING MAY BE REPRODUCED OR DISCLOSED TO OTHERS WITHOUT THE EXPRESS WRITTEN CONSENT OF MILESTONE AV TECHNOLOGIES.

CAD GENERATED DRAWING, DO NOT MANUALLY UPDATE.			<p>6436 CITY WEST PKWY EDEN PRAIRIE MN, 55344 PHONE: 866-977-3901 FAX: 877-894-6918</p>	
DRAWN BY	MJS	6/2/2014		
ENG APPROVAL	MJS	7/25/2018	DESCRIPTION KXC220 KONTOUR FLEXLINK ARM TECH DRAWING	
MFG APPROVAL			MODEL NO. KXC220	
QA APPROVAL			SIZE B	DWG. NO. TECH-000939
SHEET 1 OF 1			SCALE 1:6	REV. 00