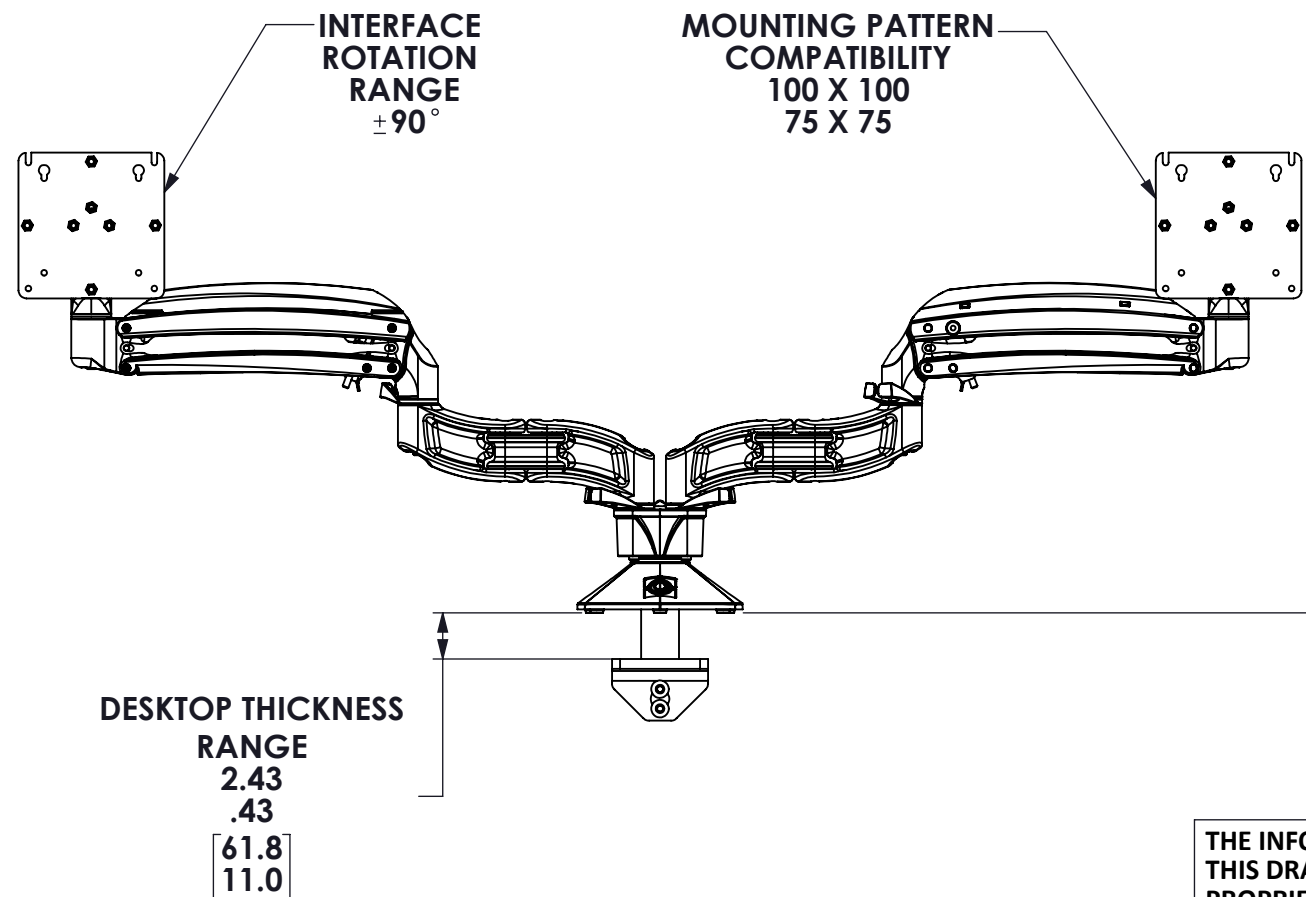
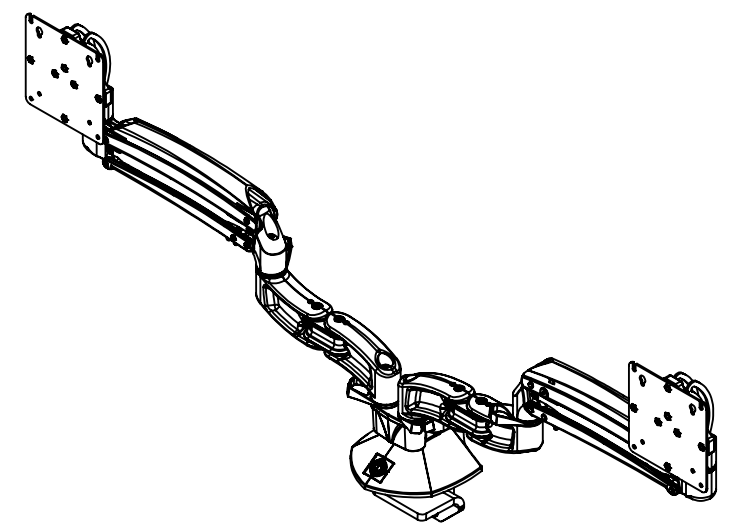
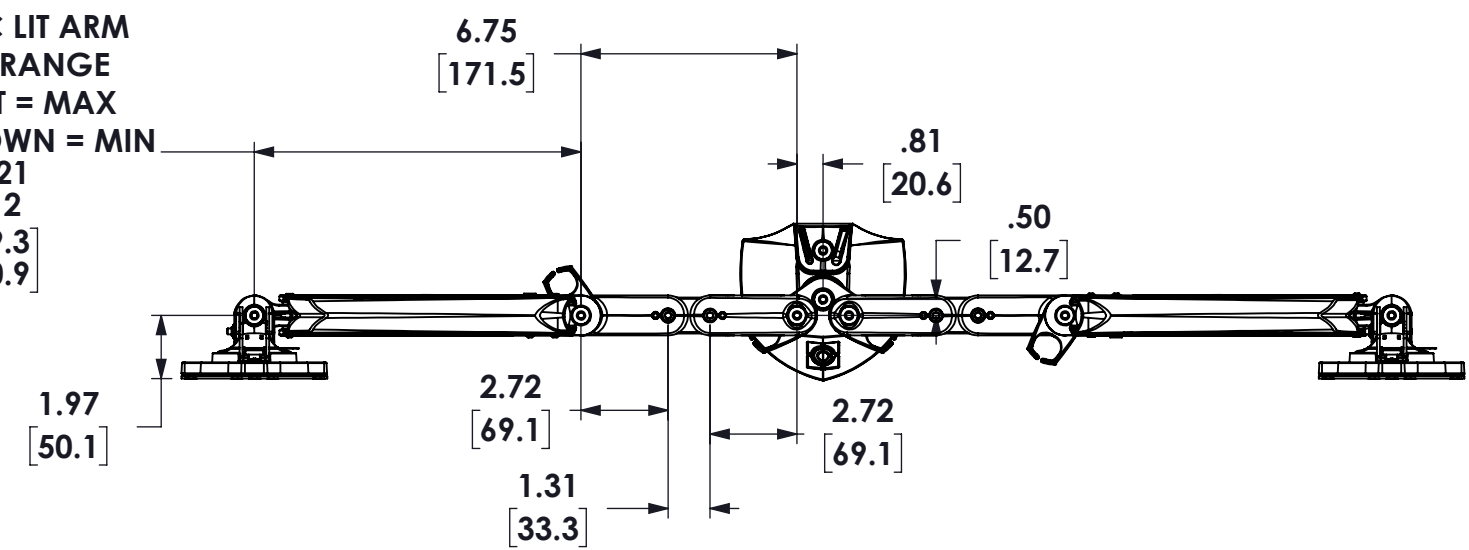


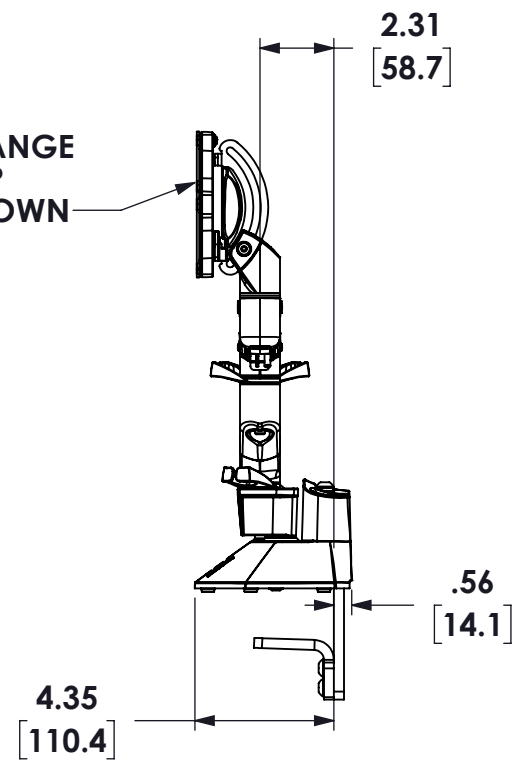
DYNAMIC LIT ARM LENGTH RANGE
STRAIGHT = MAX
FULL UP/DOWN = MIN
 10.21
 7.12
 [259.3]
 [180.9]



DYNAMIC HEIGHT ADJUST RANGE

18.90
 5.90
 [480.2]
 [150.0]

TILT RANGE
 75° UP
 10° DOWN



DESKTOP THICKNESS RANGE
 2.43
 .43
 [61.8]
 [11.0]

THE INFORMATION AND DESIGNS CONTAINED IN THIS DRAWING ARE CONFIDENTIAL AND THE PROPRIETARY PROPERTY OF MILESTONE AV TECHNOLOGIES NEITHER THIS DESIGN NOR ANY INFORMATION CONTAINED IN THIS DRAWING MAY BE REPRODUCED OR DISCLOSED TO OTHERS WITHOUT THE EXPRESS WRITTEN CONSENT OF MILESTONE AV TECHNOLOGIES.

CAD GENERATED DRAWING, DO NOT MANUALLY UPDATE.			CHIEF 6436 CITY WEST PKWY EDEN PRAIRIE MN, 55344 PHONE: 866-977-3901 FAX: 877-894-6918		
DRAWN BY	MJS	7/26/2018	DESCRIPTION KXD220 KONTOUR FLEXLINK ARM TECH DRAWING		
ENG APPROVAL	MJS	07/26/2018			
MFG APPROVAL					
QA APPROVAL			MODEL NO. KXD220		
SHEET 1 OF 1		SCALE 1:6	SIZE B	DWG. NO. TECH-000942	REV. 00