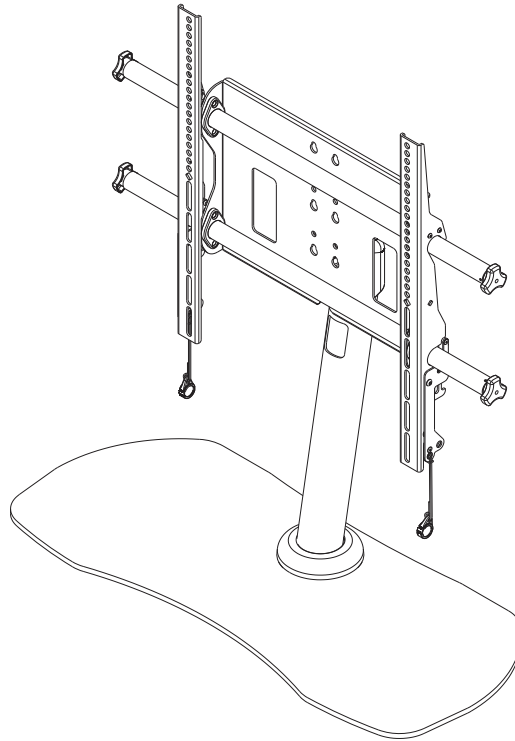

INSTALLATION INSTRUCTIONS



Large Table Stand

DISCLAIMER

Milestone AV Technologies and its affiliated corporations and subsidiaries (collectively "Milestone"), intend to make this manual accurate and complete. However, Milestone makes no claim that the information contained herein covers all details, conditions or variations, nor does it provide for every possible contingency in connection with the installation or use of this product. The information contained in this document is subject to change without notice or obligation of any kind. Milestone makes no representation of warranty, expressed or implied, regarding the information contained herein. Milestone assumes no responsibility for accuracy, completeness or sufficiency of the information contained in this document.

Chief® is a registered trademark of Milestone AV Technologies. All rights reserved.

DEFINITIONS

MOUNTING SYSTEM: A MOUNTING SYSTEM is the primary Chief product to which an accessory and/or component is attached.

ACCESSORY: AN ACCESSORY is the secondary Chief product which is attached to a primary Chief product, and may have a component attached or setting on it.

COMPONENT: A COMPONENT is an audiovisual item designed to be attached or resting on an accessory or mounting system such as a video camera, CPU, screen, display, projector, etc.



WARNING: A WARNING alerts you to the possibility of serious injury or death if you do not follow the instructions.



CAUTION: A CAUTION alerts you to the possibility of damage or destruction of equipment if you do not follow the corresponding instructions.



IMPORTANT SAFETY INSTRUCTIONS



WARNING: Failure to read, thoroughly understand, and follow all instructions can result in serious personal injury, damage to equipment, or voiding of factory warranty! It is the installer's responsibility to make sure all mounting systems are properly assembled and installed using the instructions provided.



WARNING: Failure to provide adequate structural strength for this mounting system can result in serious personal injury or damage to equipment! It is the installer's responsibility to make sure the structure to which this mounting system is attached can support five times the combined weight of all equipment. Reinforce the structure as required before installing the mounting system.



WARNING: Exceeding the weight capacity can result in serious personal injury or damage to equipment! It is the installer's responsibility to make sure the combined weight of all components attached to mounting system does not exceed 125 lbs (56.7 kg). Use with heavier televisions may result in instability causing tip over resulting in death or serious injury!



WARNING: Use this mounting system only for its intended use as described in these instructions. Do not use attachments not recommended by the manufacturer.



WARNING: Never operate this mounting system if it is damaged. Return the mounting system to a service center for examination and repair.



WARNING: Do not use this mounting system outdoors.



WARNING: RISK OF SERIOUS INJURY OR DEATH!
Placing a remote control or toy on the stand may encourage a child to climb onto the stand causing the stand to tip over onto the child. DO NOT place remote controls or toys on the stand!

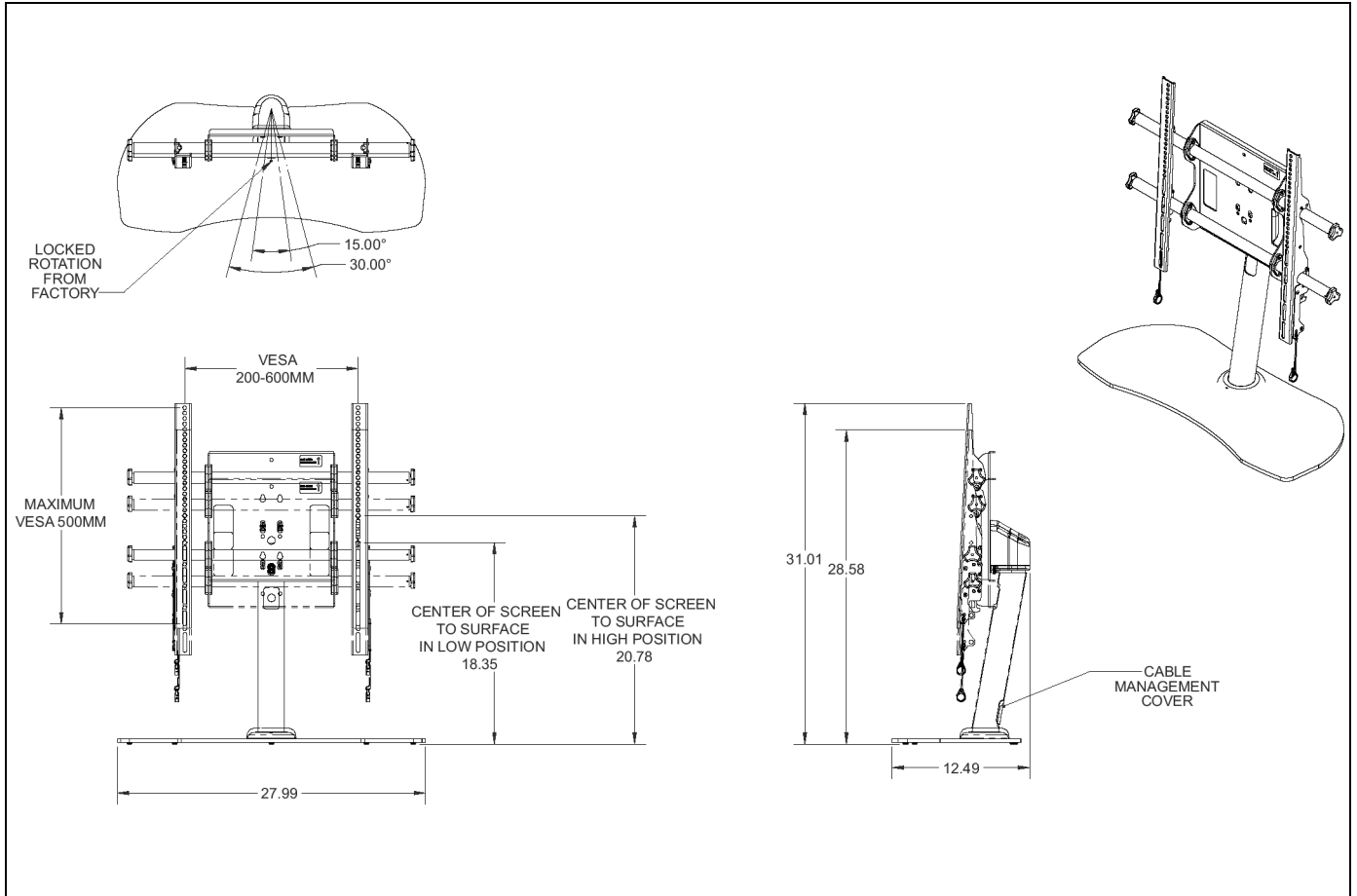


WARNING: RISK OF SERIOUS INJURY OR DEATH!
Relocating audio and/or video equipment to the stand may result in the stand collapsing or overturning onto a child. DO NOT relocate audio and/or video equipment to the stand!

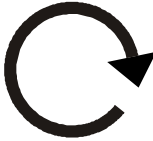

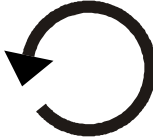









NOTE: The LDS1U stand has no user serviceable parts.

--SAVE THESE INSTRUCTIONS--

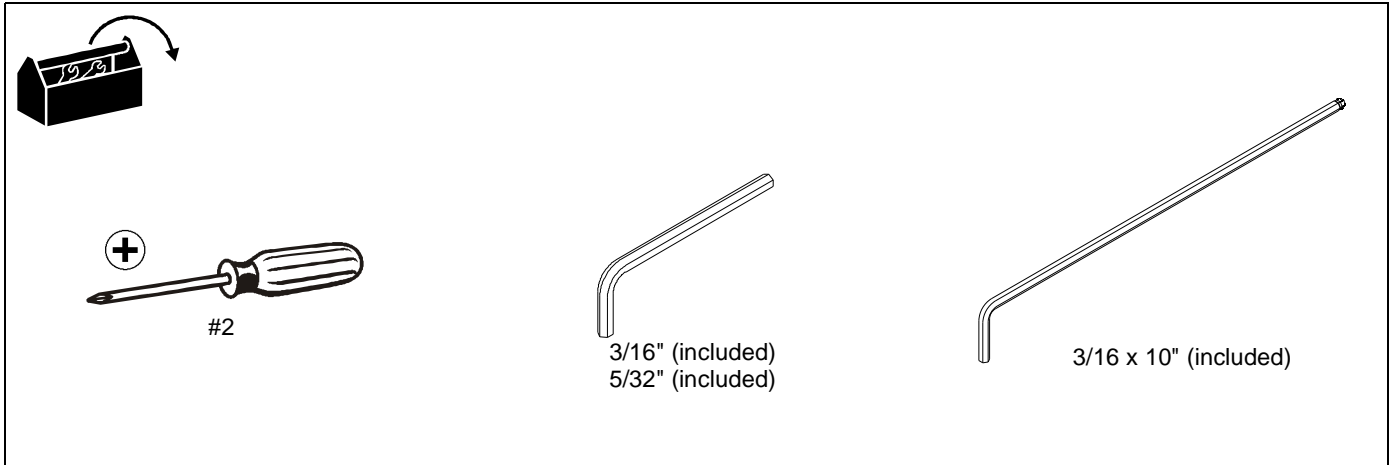
DIMENSIONS



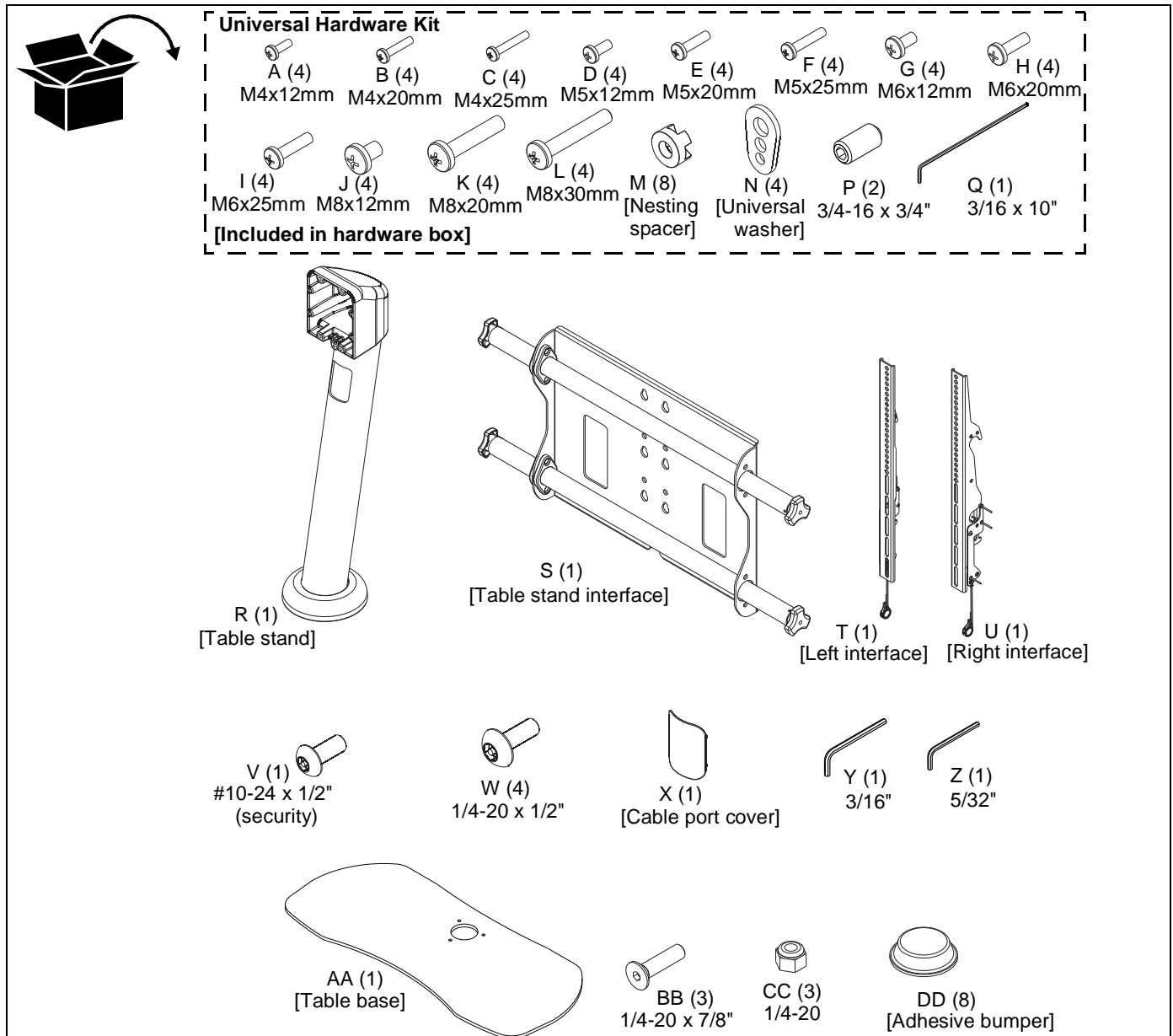
LEGEND

	Tighten Fastener Apretar elemento de fijación Befestigungsteil festziehen Apertar fixador Serrare il fissaggio Bevestiging vastdraaien Serrez les fixations		Pencil Mark Marcar con lápiz Stiftmarkierung Marcar com lápis Segno a matita Potloodmerkteken Marquage au crayon
	Loosen Fastener Aflojar elemento de fijación Befestigungsteil lösen Desapertar fixador Allentare il fissaggio Bevestiging losdraaien Desserrez les fixations		Drill Hole Perforar Bohrloch Fazer furo Praticare un foro Gat boren Percez un trou
	Phillips Screwdriver Destornillador Phillips Kreuzschlitzschraubendreher Chave de fendas Phillips Cacciavite a stella Kruiskopschroevendraaier Tournevis à pointe cruciforme		Adjust Ajustar Einstellen Ajustar Regolare Afstellen Ajuster
	Open-Ended Wrench Llave de boca Gabelschlüssel Chave de bocas Chiave a punte aperte Steeksleutel Clé à fourche		Remove Quitar Entfernen Remover Rimuovere Verwijderen Retirez
	By Hand A mano Von Hand Com a mão A mano Met de hand À la main		Optional Opcional Optional Opcional Opzionale Optie En option
	Hex-Head Wrench Llave de cabeza hexagonal Sechskantschlüssel Chave de cabeça sextavada Chiave esagonale Zeskantsleutel Clé à tête hexagonale		Security Wrench Llave de seguridad Sicherheitsschlüssel Chave de segurança Chiave di sicurezza Veiligheidssleutel Clé de sécurité

TOOLS REQUIRED FOR INSTALLATION



PARTS



Assembly And Installation

Display Enclosure Assembly

1. Loosely install two 1/4-20 x 1/2" button head security screws (W) into top holes on table stand (R). (See Figure 1)
2. Hang table stand interface (S) over two partially installed screws. Use upper holes for higher installation or lower holes for lower installation. (See Figure 1)
3. Use two 1/4-20 x 1/2" button head security screws (W) to secure table stand interface (S) to table stand (R). (See Figure 1)
4. Tighten all four screws.

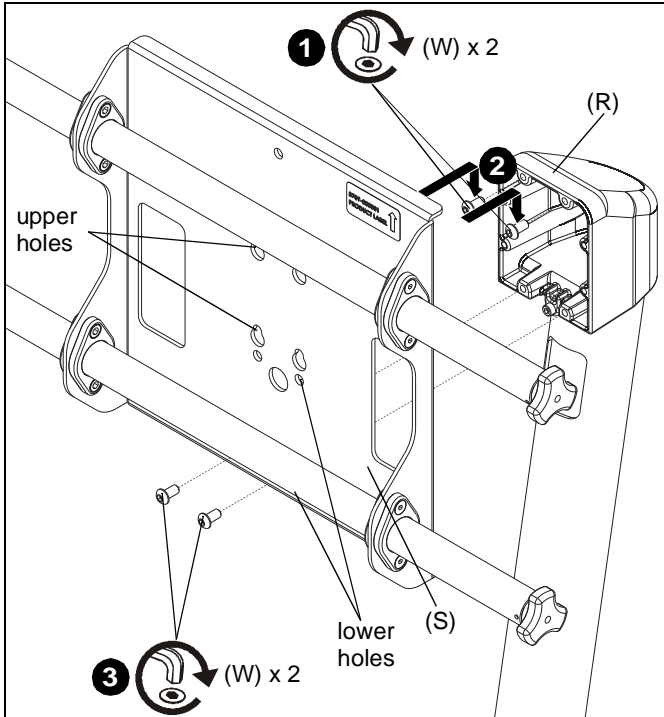


Figure 1

5. Apply eight adhesive bumpers (DD) to underside of table base (AA). (See Figure 2)

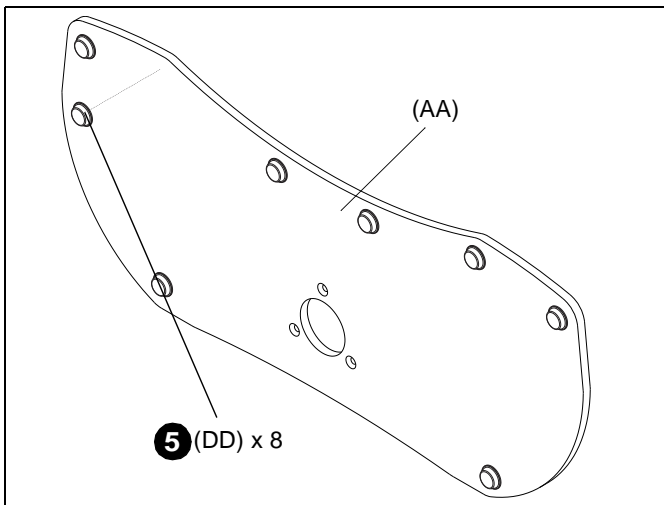


Figure 2

6. Determine mounting location by setting table stand on desk and experimenting with desired rotation capabilities.

NOTE: Rotation radius can be set to be either +/- 15° or 30°. See Dimensions graphic for details.

7. Use three 1/4-20 x 7/8" flat head cap screws (BB) to secure table base (AA) to table stand (R). (See Figure 3)

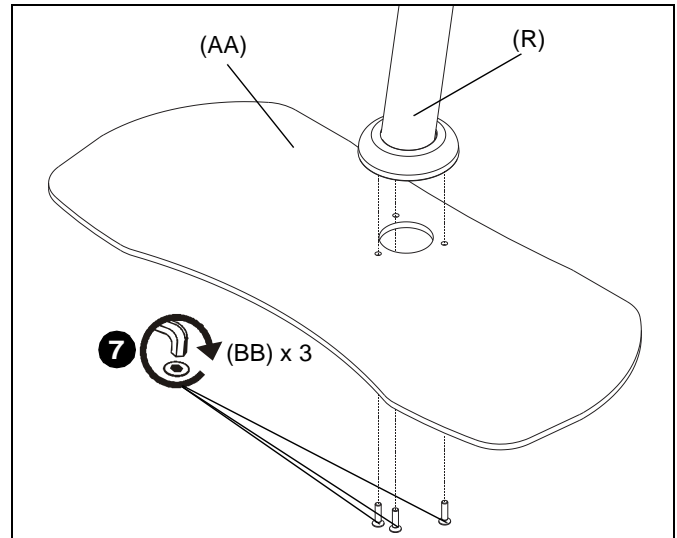


Figure 3

8. Use #10-24 x 1/2" security screw (V) to secure table stand cover to table stand (R). (See Figure 4)

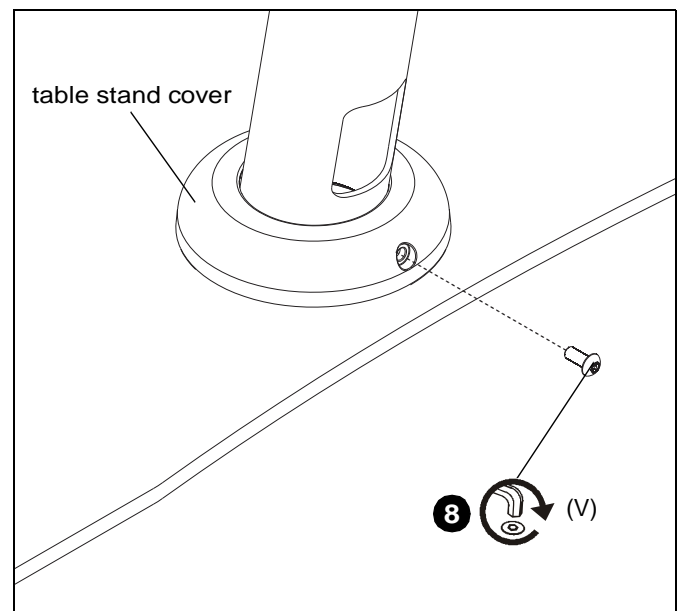


Figure 4

NOTE: Prior to installing display, the rotation radius should be adjusted. Once the display is connected, it will no longer be possible to adjust the rotational stop without removing the display from the mount.

- Use the 5/32" security hex key (Z) to loosen rotational stop adjustment screw and adjust rotation radius as desired. Tighten rotational stop adjustment screw after desired radius is achieved. (See Figure 5)



WARNING: TO REDUCE THE RISK OF BURNS, FIRE, ELECTRIC SHOCK, OR INJURY TO PERSONS, rotational stop must be in place prior to display installation! If stop is not in place, the cables may be damaged if the display is over-rotated! Always make sure rotational stop is in place before proceeding with installation!

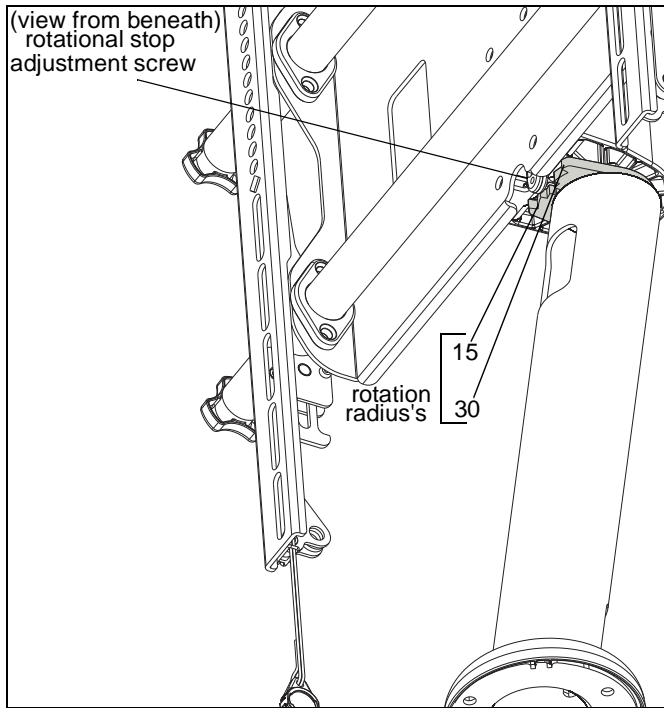


Figure 5

Attaching Interface Brackets to Screen

- Align the center of the bracket (T and U) with center of screen. (See Figure 6)

NOTE: The diamond-shape holes in the bracket correspond to the center of the mount.



WARNING: IMPROPER INSTALLATION CAN LEAD TO DISPLAY FALLING CAUSING SERIOUS PERSONAL INJURY OR DAMAGE TO EQUIPMENT! Using screws of improper size may damage your display. Properly sized screws will easily and completely thread into display mounting holes. If spacers are required, be sure to use longer screws of the same diameter.

- Select correct screws, nesting spacers (if necessary) and universal washers (if required) from the hardware bag (A-N) and attach brackets to back of screen. (See Figure 6)

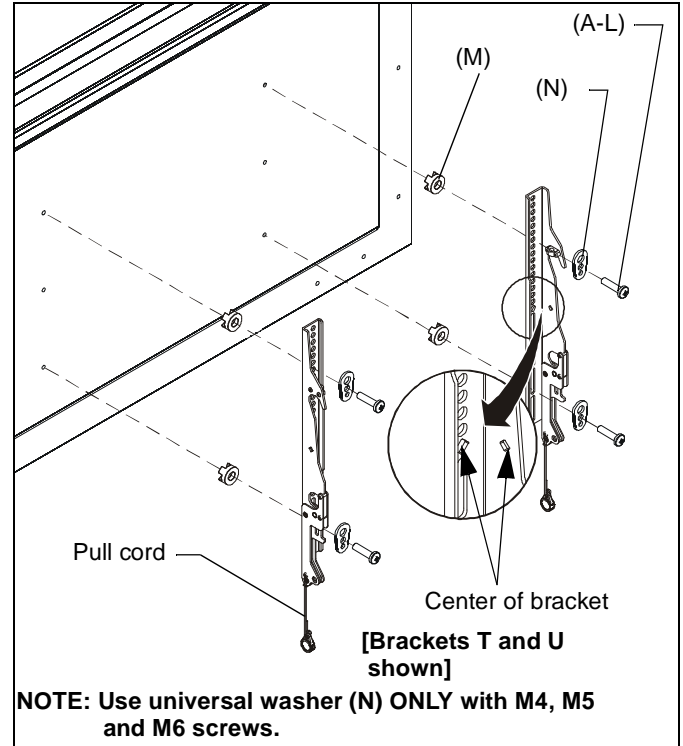


Figure 6

IMPORTANT ! : The M8 screws do **NOT** require a washer. Use the universal washer (N) only with M4, M5 and M6 screws.

NOTE: The nesting spacers (M) may be used separately, or put two together in different configurations to create different size spacers. (See Figure 7)

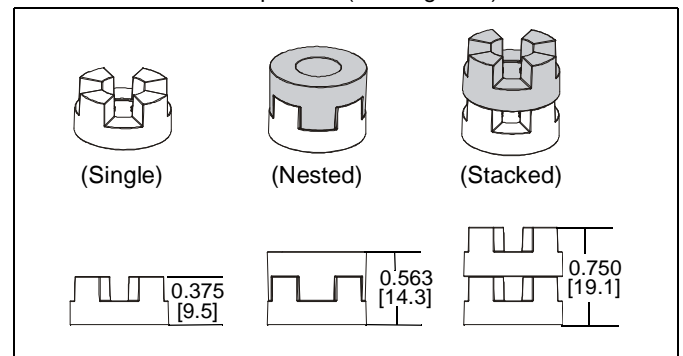


Figure 7

Attaching Screen to Mount

IMPORTANT ! : Position screen in a centered position on rails.

NOTE: NEVER place both interface brackets (T and U) to one side of the wall mount center line! (See Figure 8)

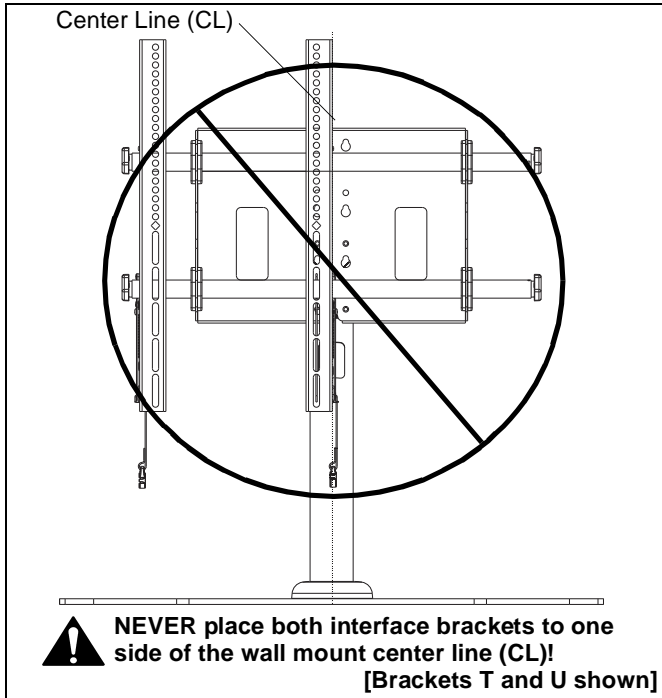


Figure 8

1. Hang screen onto the top rail of the table stand interface (S) in a centered position. (See Figure 8)
 - Hang top hook of interface brackets (T and U) onto the top rail of the table stand interface (S). (See Figure 8)

NOTE: The screen initially installs into the "service mode" to allow easy cable access.

2. Adjust screen and rails to desired viewing position.
3. Route cables between wall and rails.



CAUTION: PINCH POINTS! Keep fingers, hands and cables out of pinch point areas.

4. Pull downward on the pull cords and swing inward toward wall, latching interface brackets to lower rail and fastening bottom of screen to the mount. (See Figure 9)
5. Attach end of pull cord (a magnet) to mount so it does not extend beyond bottom of screen. (See Figure 9)

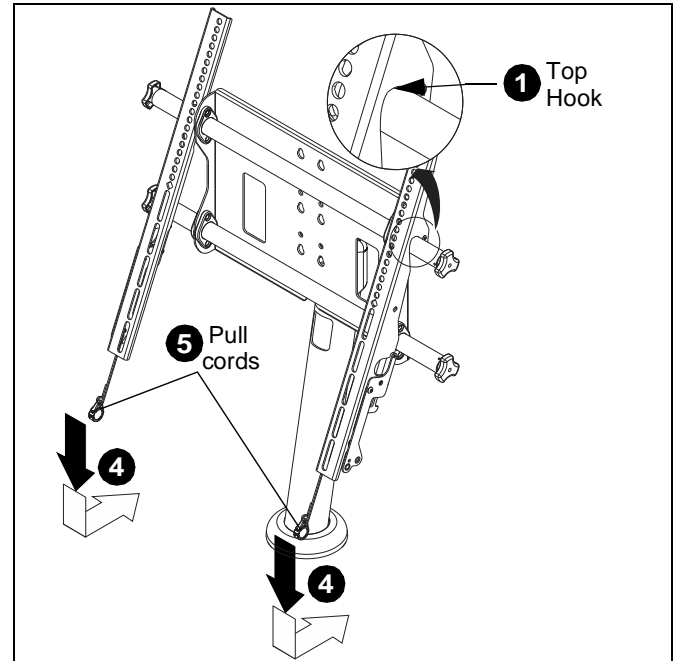


Figure 9

Locking Screen Interface Brackets (Optional)

1. Lock screen interface brackets onto mount rails using one 3/8-16 x 3/4" set screw (P) on each interface bracket. (See Figure 10)

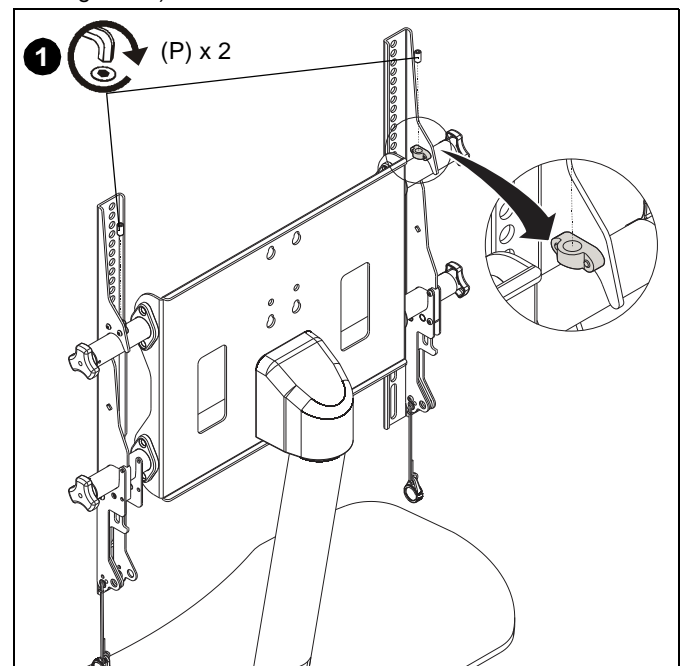


Figure 10

Locking Mount (Optional)

1. Add padlock (not included) to interface bracket to complete security. (See Figure 11)

NOTE: The padlock maximum shackle diameter is 5/16" (7.9 mm).

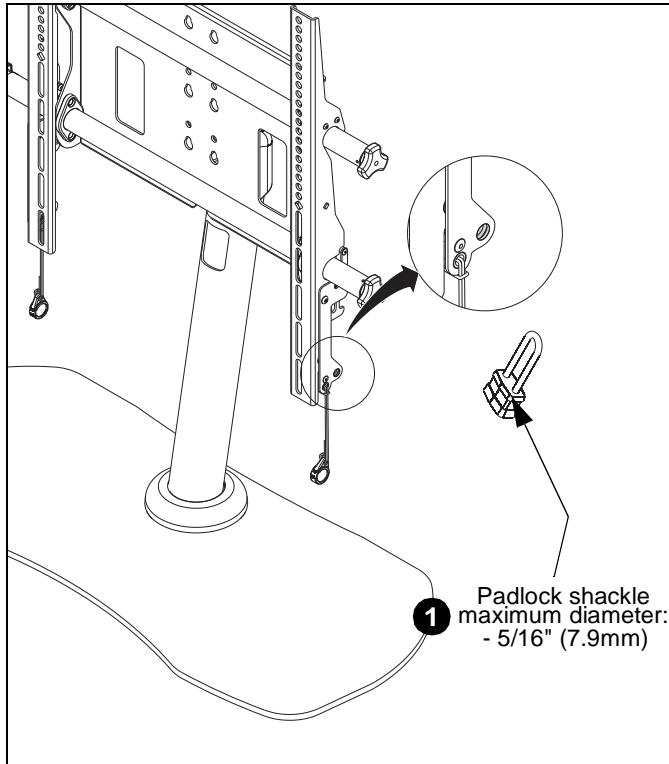


Figure 11

Additional Mount Safety

If LDS1U is mounted to a table in a high traffic area, it is recommended that a safety strap be used for additional security. UL-listed ELM701 Anti-tip Strap from Sanus® may be purchased separately.



Our Mounts. **Your Vision.**

Chief, a products division of
Milestone AV Technologies

8800-003013 Rev00
©2018 Milestone AV Technologies
www.milestone.com
03/18

USA/International	A 6436 City West Parkway, Eden Prairie, MN 55344 P 800.582.6480 / 952.225.6000 F 877.894.6918 / 952.894.6918
Europe	A Franklinstraat 14, 6003 DK Weert, Netherlands P +31 (0) 495 580 852 F +31 (0) 495 580 845
Asia Pacific	A Office No. 918 on 9/F, Shatin Galleria 18-24 Shan Mei Street Fotan, Shatin, Hong Kong P 852 2145 4099 F 852 2145 4477

