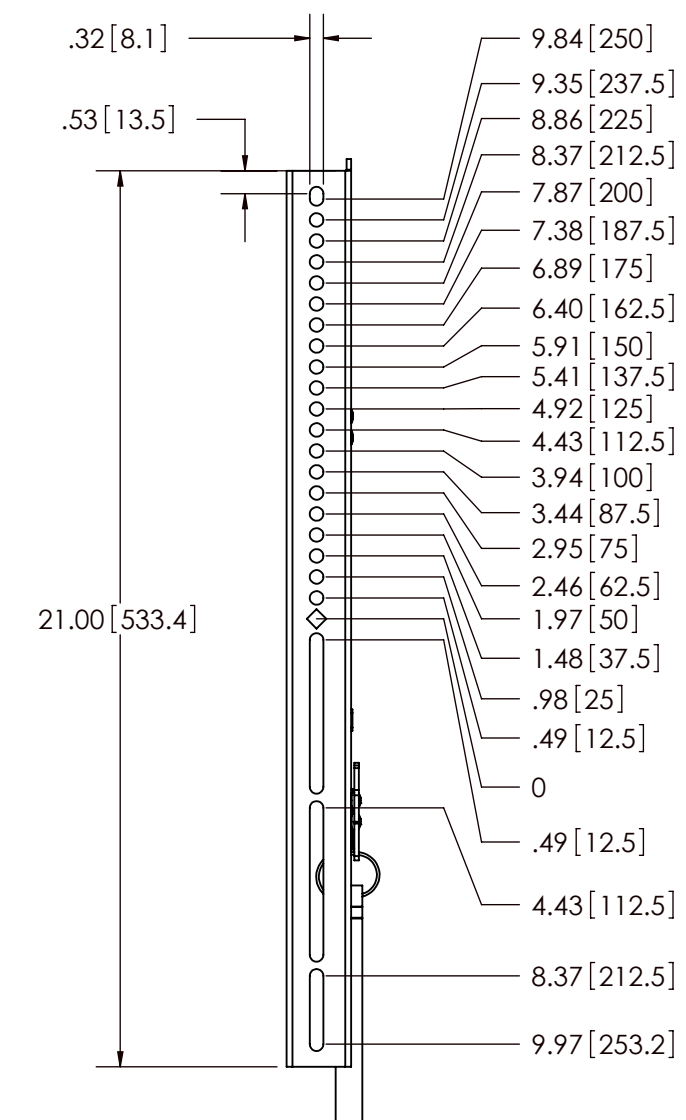
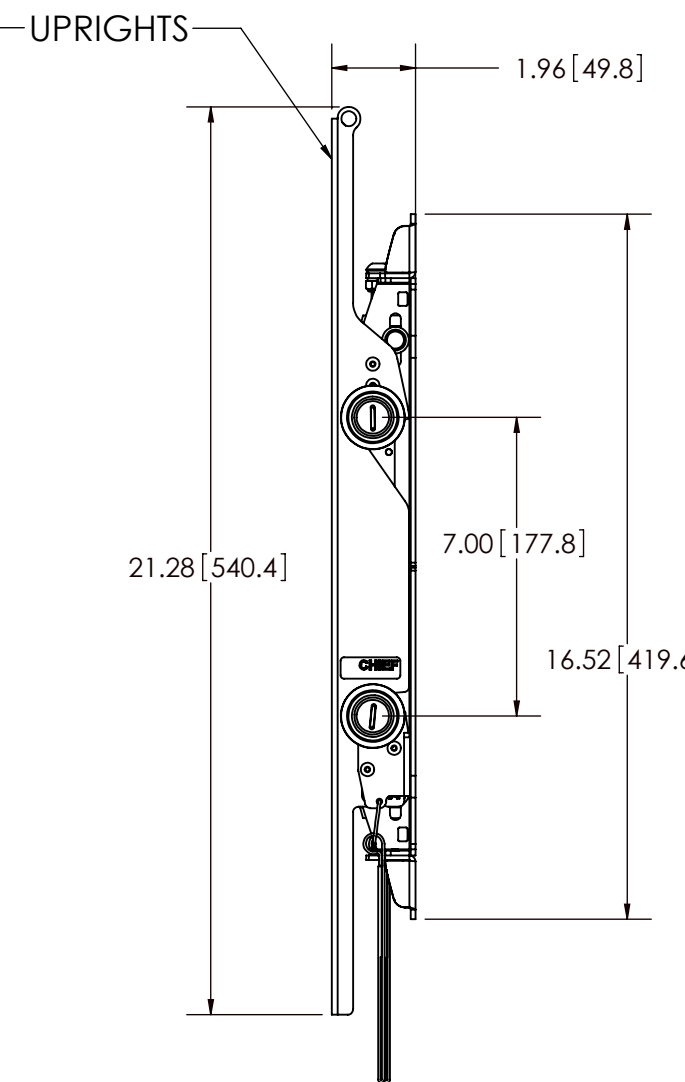
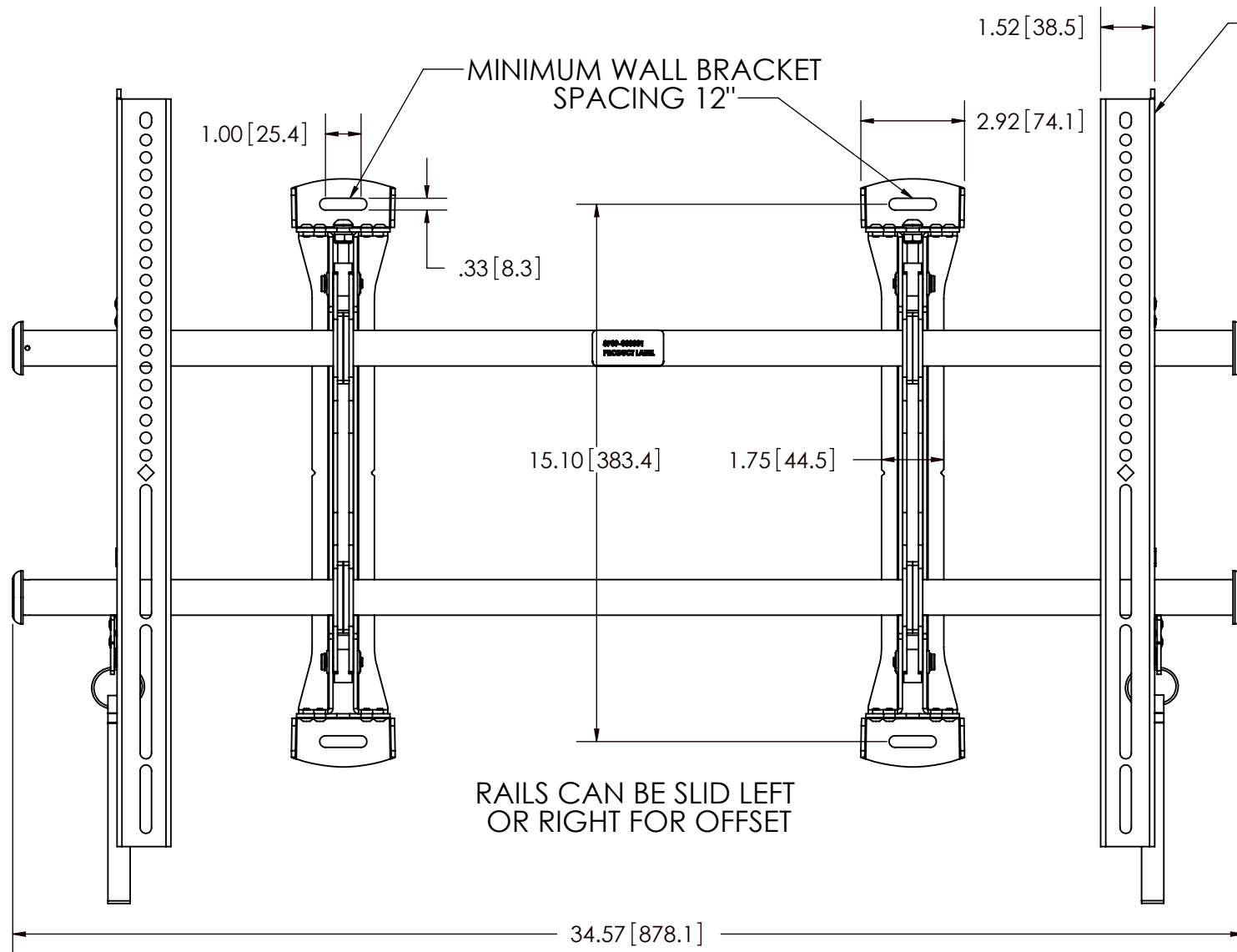
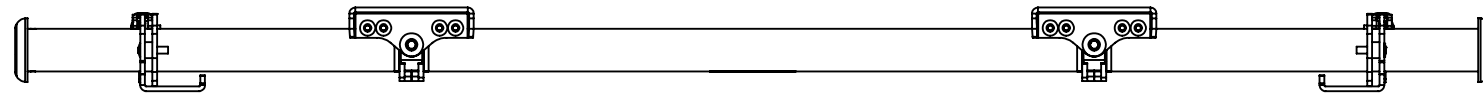




205 Westwood Ave, Long Branch, NJ 07740  
 Phone: 866-94 BOARDS (26273) / (732)-222-1511  
 Fax: (732)-222-7088 | E-mail: sales@touchboards.com

- NOTES:
1. MAX MOUNTING PATTERN IS 31.8" (807.7 mm) WIDE *WITHOUT* REVERSING UPRIGHTS
  2. MAX MOUNTING PATTERN IS 34.3" (871.2 mm) WIDE *WITH* REVERSING THE UPRIGHTS
  3. FOR RECESSED APPLICATIONS, MINIMUM VERTICAL LIFT FOR HOOK ENGAGEMENT IS .56"[14.2].
  4. MOUNT IS 1.96"[49.8mm] DEEP.



CHIEF MANUFACTURING INC.  
 PRODUCT ORDER NUMBER IS: LSMU AND LSMXXXX  
 PHONE: 1-800-582-6480

SHEET SCALE = 1:4.5

THE INFORMATION AND DESIGNS CONTAINED IN THIS DRAWING ARE CONFIDENTIAL AND THE PROPRIETARY PROPERTY OF MILESTONE AV TECHNOLOGIES NEITHER THIS DESIGN NOR ANY INFORMATION CONTAINED IN THIS DRAWING MAY BE REPRODUCED OR DISCLOSED TO OTHERS WITHOUT THE EXPRESS WRITTEN CONSENT OF MILESTONE AV TECHNOLOGIES.



8401 EAGLE CREEK PKY  
 SUITE #700  
 SAVAGE, MN 55378  
 PHONE: 952-894-6280  
 FAX: 877-894-6918

TITLE  
**CUSTOMER PRINT  
 LSMU AND LSMXXXX**

SIZE DWG. NO.  
**B LSMU AND LSMXXXX**