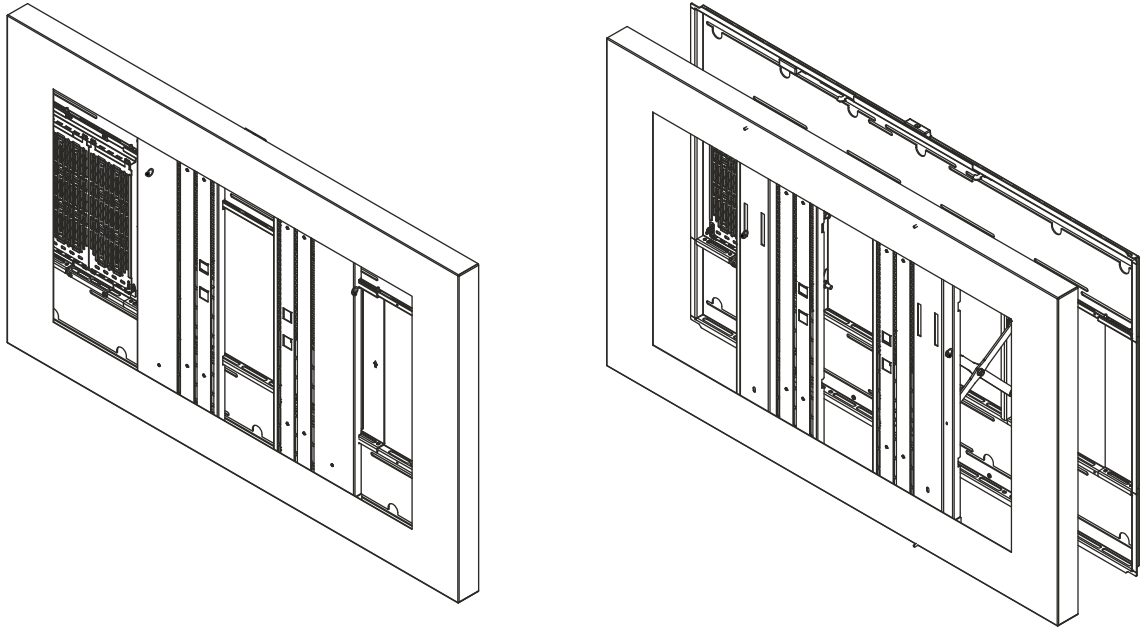

INSTALLATION INSTRUCTIONS



49"/50"/55" Landscape Wall Kiosks

 **CHIEF**[®]

A brand of  **legrand**[®]

LW49/50/55Ux

DISCLAIMER

Legrand | AV and its affiliated corporations and subsidiaries (collectively "Legrand | AV"), intend to make this manual accurate and complete. However, Legrand | AV makes no claim that the information contained herein covers all details, conditions or variations, nor does it provide for every possible contingency in connection with the installation or use of this product. The information contained in this document is subject to change without notice or obligation of any kind. Legrand | AV makes no representation of warranty, expressed or implied, regarding the information contained herein. Legrand | AV assumes no responsibility for accuracy, completeness or sufficiency of the information contained in this document.

Chief® is a registered trademark of Legrand AV Inc.

DEFINITIONS

MOUNTING SYSTEM: A MOUNTING SYSTEM is the primary Chief product to which an accessory and/or component is attached.

ACCESSORY: AN ACCESSORY is the secondary Chief product which is attached to a primary Chief product, and may have a component attached or setting on it.

COMPONENT: A COMPONENT is an audiovisual item designed to be attached or resting on an accessory or mounting system such as a video camera, CPU, screen, display, projector, etc.



WARNING: A WARNING alerts you to the possibility of serious injury or death if you do not follow the instructions.



CAUTION: A CAUTION alerts you to the possibility of damage or destruction of equipment if you do not follow the corresponding instructions.



IMPORTANT SAFETY INSTRUCTIONS



WARNING: Failure to read, thoroughly understand, and follow all instructions can result in serious personal injury, damage to equipment, or voiding of factory warranty! It is the installer's responsibility to make sure all mounting systems are properly assembled and installed using the instructions provided.



WARNING: Failure to provide adequate structural strength for this mounting system can result in serious personal injury or damage to equipment! It is the installer's responsibility to make sure the structure to which this mounting system is attached can support five times the combined weight of all equipment. Reinforce the structure as required before installing the mounting system.



WARNING: Exceeding the weight capacity can result in serious personal injury or damage to equipment! It is the installer's responsibility to make sure the weight of components attached to swing door does not exceed:

- **LW49/50/55Ux Models:** 125 lbs (56.7 kg)
Removable storage panel capacity: 15 lbs (6.8 kg)

The extended position is for installation and service only.



WARNING: Use this mounting system only for its intended use as described in these instructions. Do not use attachments not recommended by the manufacturer.



WARNING: Never operate this mounting system if it is damaged. Return the mounting system to a service center for examination and repair.



WARNING: Do not use this mounting system outdoors.

IMPORTANT ! : The LW49/50/55Ux landscape wall kiosks are designed to be mounted to:

- a bare 8" concrete or 8"x8"x16" concrete block wall;
- a 2" x 4" wood studs (16" on center maximum) wall with a maximum drywall thickness of 5/8"; or
- a steel stud (16" on center maximum) wall with a maximum drywall thickness of 5/8"; or
- a 3/4" thickness plywood-backed, wood or steel stud wall (24" on center) covered with drywall having a maximum thickness of 5/8".

NOTE: The kiosks have an adjustable depth of 3" to 5".

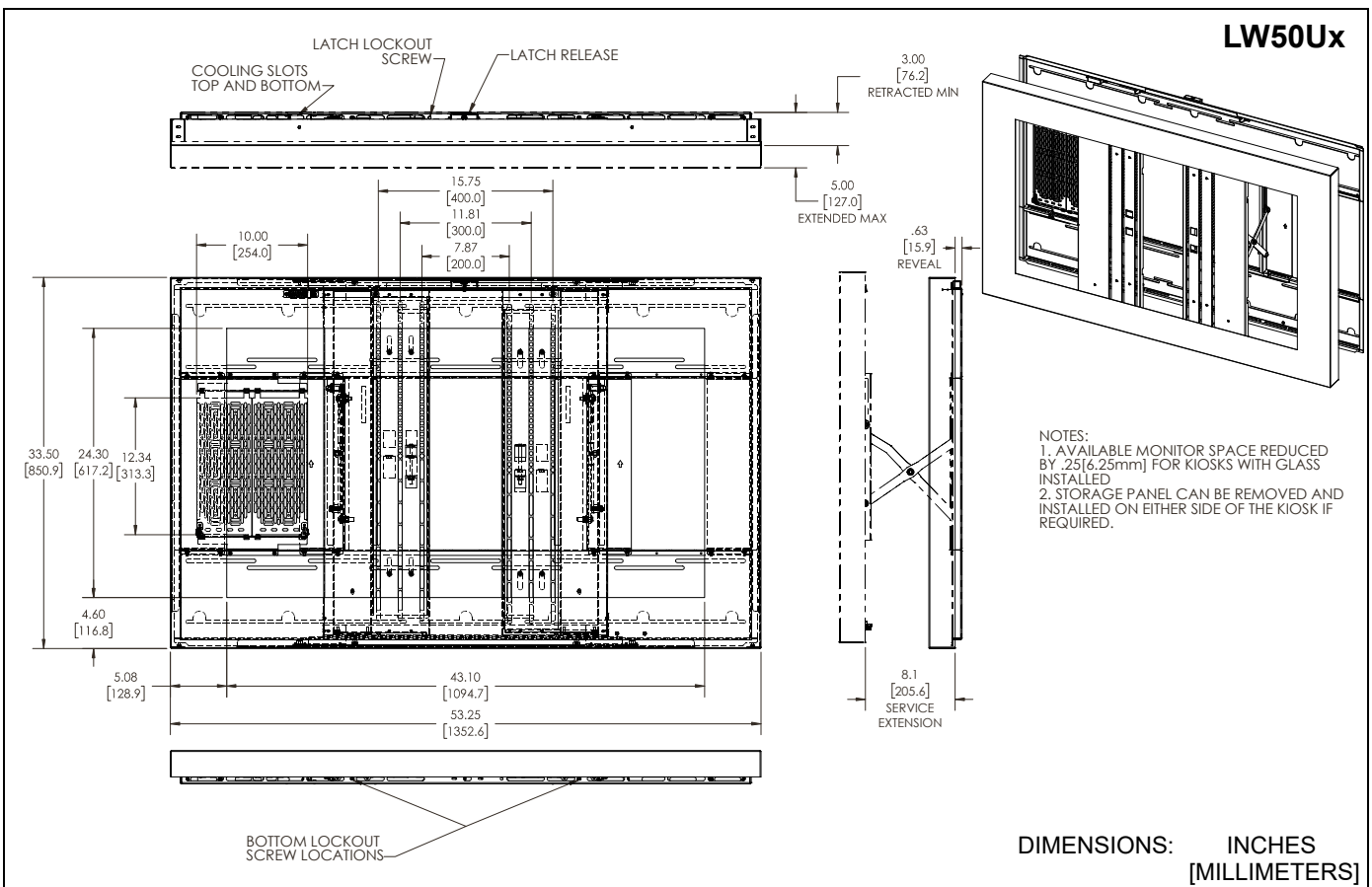
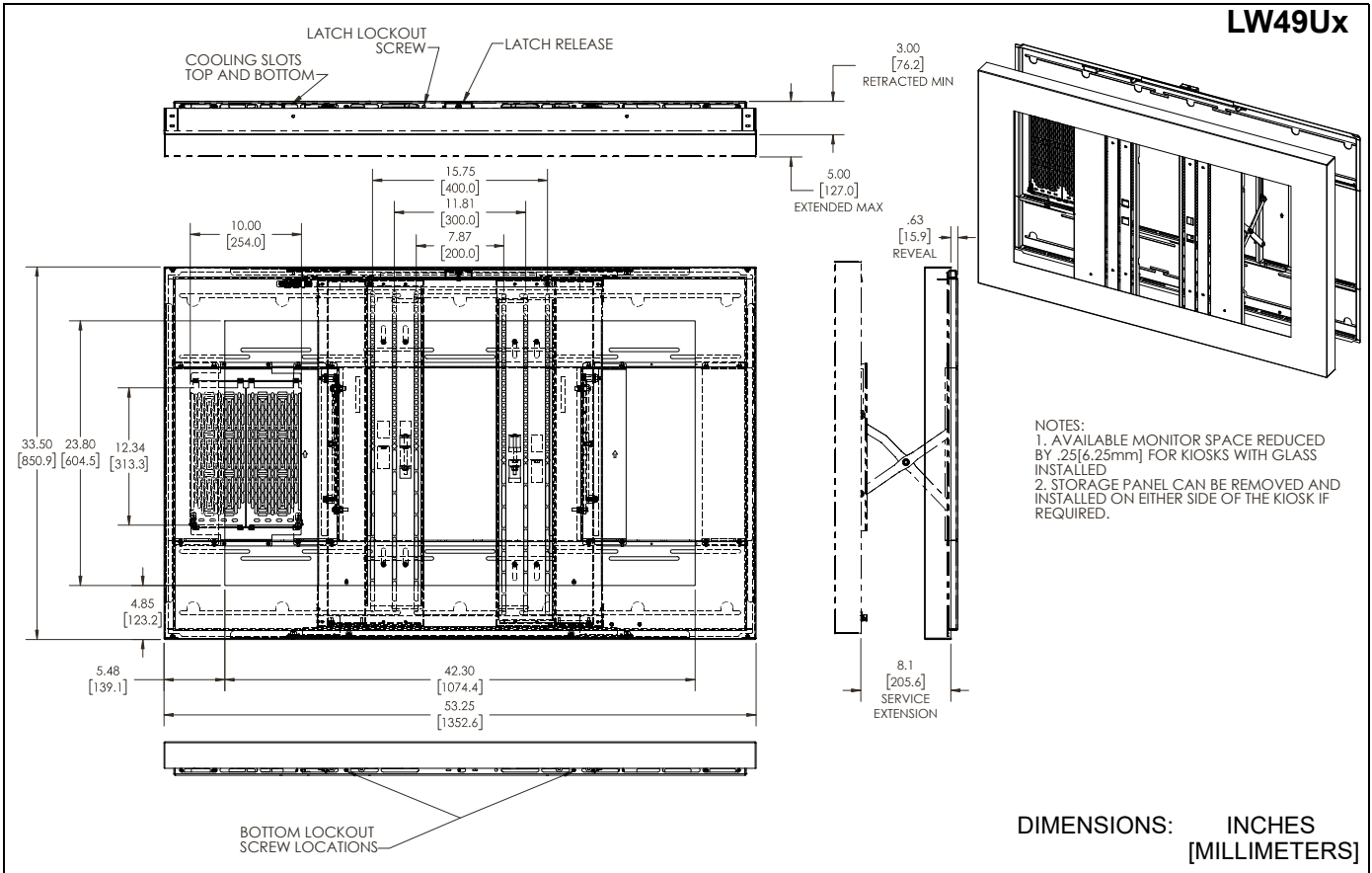
NOTE: Available monitor space reduced by 0.25" (6.25mm) for kiosks with glass installed.

--SAVE THESE INSTRUCTIONS--

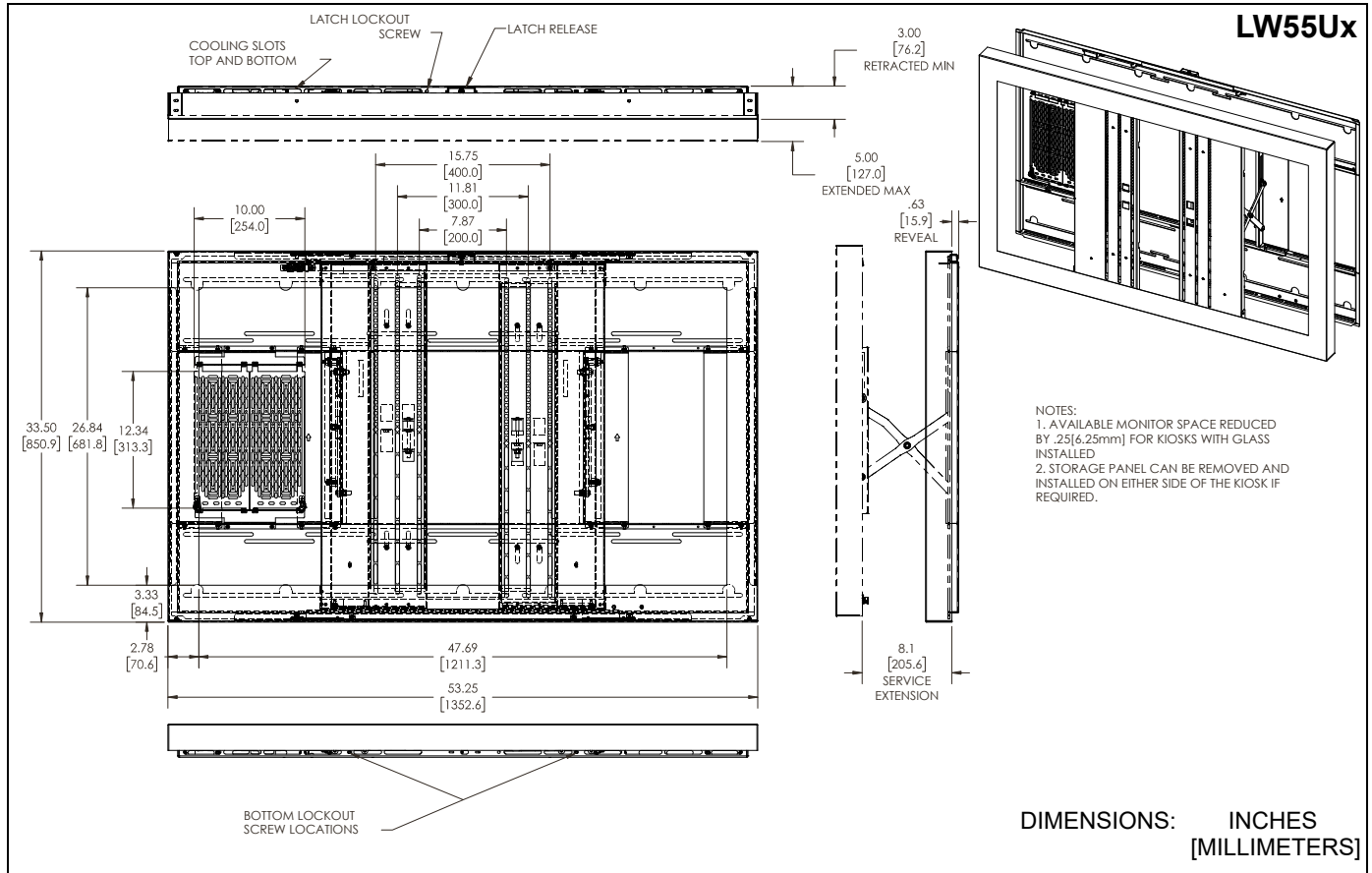
TABLE OF CONTENTS

DISCLAIMER	2
IMPORTANT SAFETY INSTRUCTIONS	2
TABLE OF CONTENTS	3
DIMENSIONS	4
LEGEND	5
TOOLS REQUIRED FOR INSTALLATION	6
PARTS	6
ASSEMBLY AND INSTALLATION	7
Preparing Rear Frame	7
Locate Mounting Site	7
Installing Rear Frame	7
Attaching Flat Panel	9
Cabling	12
Fastener Installation Methods	12
Wood Stud.....	12
Concrete.....	12
Steel Stud.....	13
Site Requirements for Wood or Steel Stud	14





DIMENSIONS



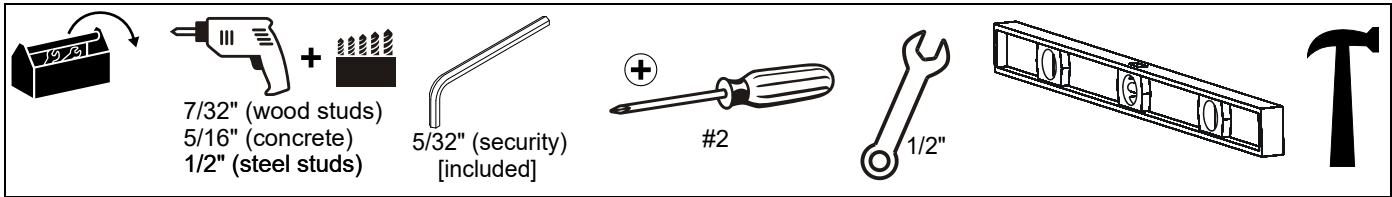
DIMENSIONS--continued



LEGEND

	Phillips Screwdriver		Drill Hole
	Destornillador Phillips		Perforar
	Kreuzschlitzschraubendreher		Bohrloch
	Chave de fendas Phillips		Fazer furo
	Cacciavite a stella		Praticare un foro
	Kruiskopschroevendraaier		Gat boren
Tournevis à pointe cruciforme	Percez un trou		
	Open-Ended Wrench		Hex-Head Wrench
	Llave de boca		Llave de cabeza hexagonal
	Gabelschlüssel		Sechskantschlüssel
	Chave de bocas		Chave de cabeça sextavada
	Chiave a punte aperte		Chiave esagonale
	Steeksleutel		Zeskantsleutel
Clé à fourche	Clé à tête hexagonale		

TOOLS REQUIRED FOR INSTALLATION



PARTS

NOTE: Letters match markings on hardware bags

Hardware Bag - Wall Hardware	Hardware Bag - Monitor Interface Hardware			Hardware Bag - Security/Swap Hardware
AA (8) 5/16 x 2-1/2"	BA (4) M4 x 12mm	BB (4) M4 x 25mm	BC (4) M4 x 50mm	CA (1) 5/32" (security)
AB (8) 5/16"	BD (4) M5 x 12mm	BE (4) M5 x 25mm	BF (4) M5 x 50mm	CB (3) 10-24 x 3/8"
AC (4) 1/4-20 SnapToggle	BG (4) M6 x 12mm	BH (4) M6 x 25mm	BI (4) M6 x 50mm	CC (4) 10-24 x 3-1/2"
AD (4) 1/4-20 x 1-3/4"	BJ (4) M8 x 12mm	BK (4) M8 x 25mm	BL (4) M8 x 50mm	CD (2) [Thumb nut]
AE (4) 1/4"	BM (8) .750x.344x.500"	BN (8) .750x.323x.250"	BO (4) [universal washer]	A (1 roll) [1/2" wide gasket strip]
AF (8) UX10x60R				

B (1)
[Outer cover/carrier frame]
(LW50Ux shown as example)

C (1)
[Rear frame/scissors assembly]
(LW50Ux shown as example)

ASSEMBLY AND INSTALLATION

Preparing Rear Frame

1. Remove kiosk rear frame (B) from the packaging and place on a flat surface. (See Figure 1)

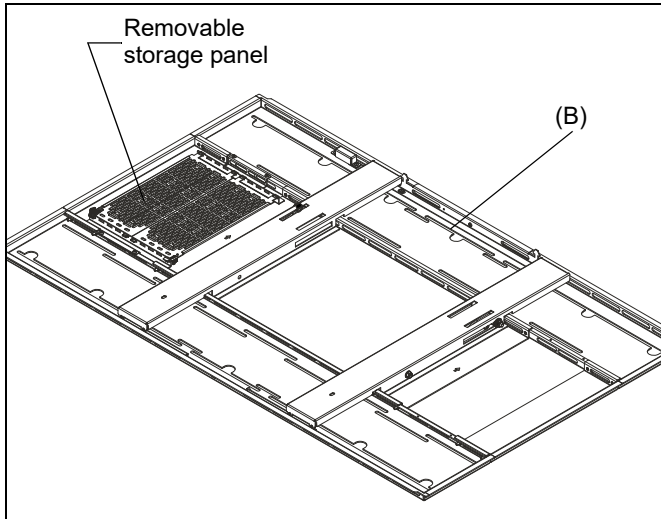


Figure 1

NOTE: The kiosks ship with the removable storage panel already in place in one of two mounting positions. The panel may be removed to add components as required, and then reinstalled in either location. (See instructions included with the panel.)

The storage panel latch is spring-loaded. To remove the panel, squeeze the latch on lower end tabs and slide the panel up and out of the slots on the rear frame.

Install AV component(s) to the panel using the hardware and instructions included with the component(s). Either screws or cable ties may be used to fasten component(s) to the panel.

To reinstall the panel, slide the panel end without latches up into the slots on one side of the rear frame opening. Pivot panel in and slide it down toward the slots on lower side of the rear frame panel opening. The panel will snap into the slots, securing it to the rear frame.

Locate Mounting Site



WARNING: IMPROPER INSTALLATION CAN LEAD TO MOUNT FALLING CAUSING SEVERE PERSONAL INJURY OR DAMAGE TO EQUIPMENT! It is the installers responsibility to make certain the structure to which the mount is being attached is capable of supporting five times the combined weight of all components attached to cover:

- **LW49/50/55Ux Models:** 125 lbs (56.7 kg)
Removable storage panel capacity: 15 lbs (6.8 kg).
(See Figure 2)

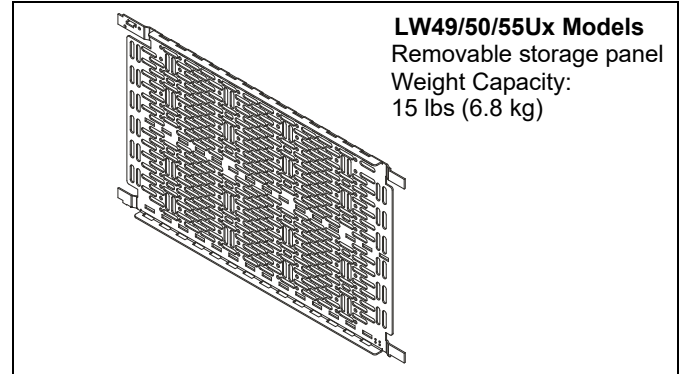


Figure 2

Installing Rear Frame

The LW49/50/55Ux landscape wall kiosk mounts are designed to be mounted to:

- a bare 8" concrete or 8"x8"x16" concrete block wall; or
- a 2" x 4" wood studs (16" on center minimum) wall with a maximum drywall thickness of 5/8"; or
- a steel stud (16" on center minimum to 24" on center maximum) wall with a maximum drywall thickness of 5/8".
- a 3/4" thickness plywood-backed, wood or steel stud wall (24" on center) covered with drywall having a maximum thickness of 5/8".

Table 1: Fastener Information

WALL TYPE	PILOT HOLE	FASTENERS (see PARTS drawing)
Steel stud / Wood stud	1/2"	- 1/4-20 x 1-3/4" Phillips screw (AD) - 1/4" washer (AE)
	7/32"	- 1/4-20 Snap toggle (AC) - 5/16 x 2-1/2" hex head lag (AA) - 5/16" washer (AB)
Concrete	3/8" x 3-1/4"	- 5/16 x 2-1/2" hex head lag (AA) - 5/16" washer (AB) - Fischer Anchor UX10x60R (AF)

IMPORTANT ! : When installing the rear frame it is preferable to use all possible available attachment points.

- The rear frame must be installed to a **MINIMUM** of two studs, one located between the scissors mechanism, and one to the next stud on either the left or right. (See Figure 3) and (See Figure 4).

IMPORTANT ! :

1. Determine the horizontal center of the rear frame, and where it should be located on the wall.
 - For wood or steel stud walls, use a level and mark the

uppermost locations over studs for attachment a minimum of 16" apart and a maximum of 24" apart. (See Figure 3) and (See Figure 4)

- For concrete walls, use a level and mark the uppermost locations for attachment as far apart as possible to provide maximum stability. (See Figure 3) and (See Figure 4)

2. Drill one pilot hole (see Table 1 for size) at locations marked in Step 1 (See Figure 3) and (See Figure 4) and follow fastener information (appropriate for wall type) located in Table 1.

IMPORTANT ! : Refer to **Fastener Installation Methods** (located in **Appendix** at end of Installation Instructions) for details on installing product into various wall types.

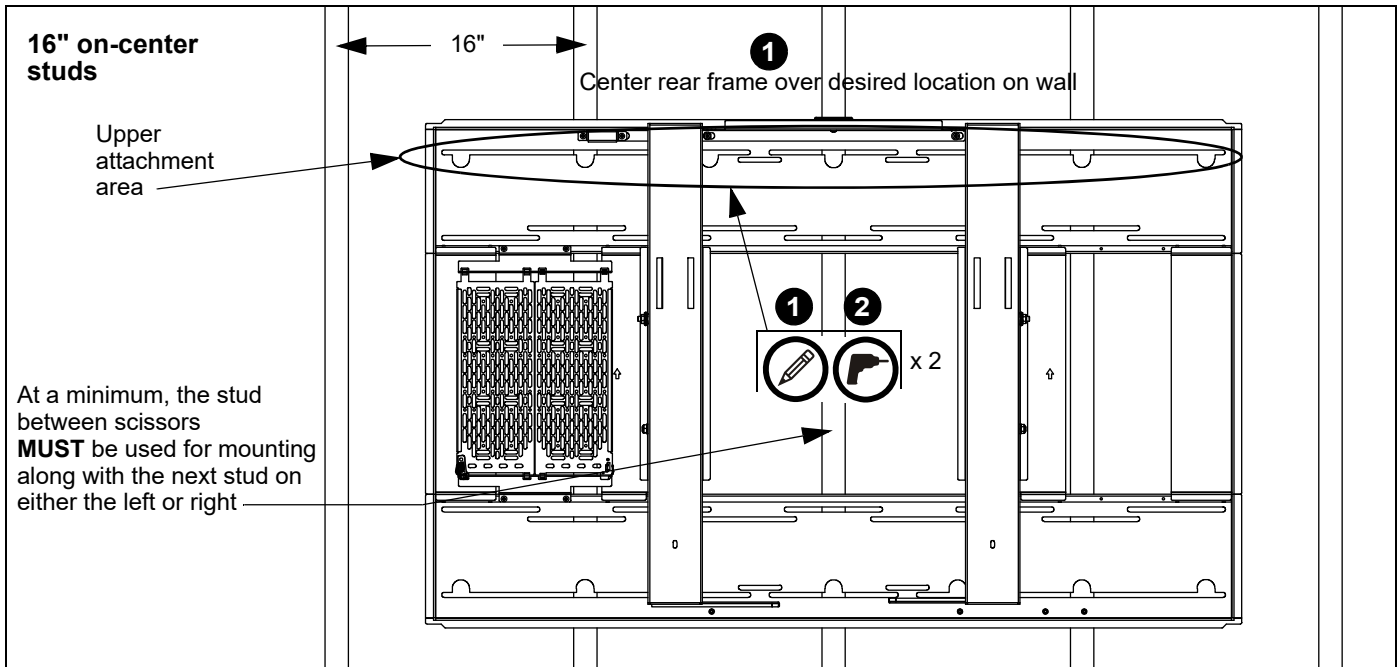


Figure 3

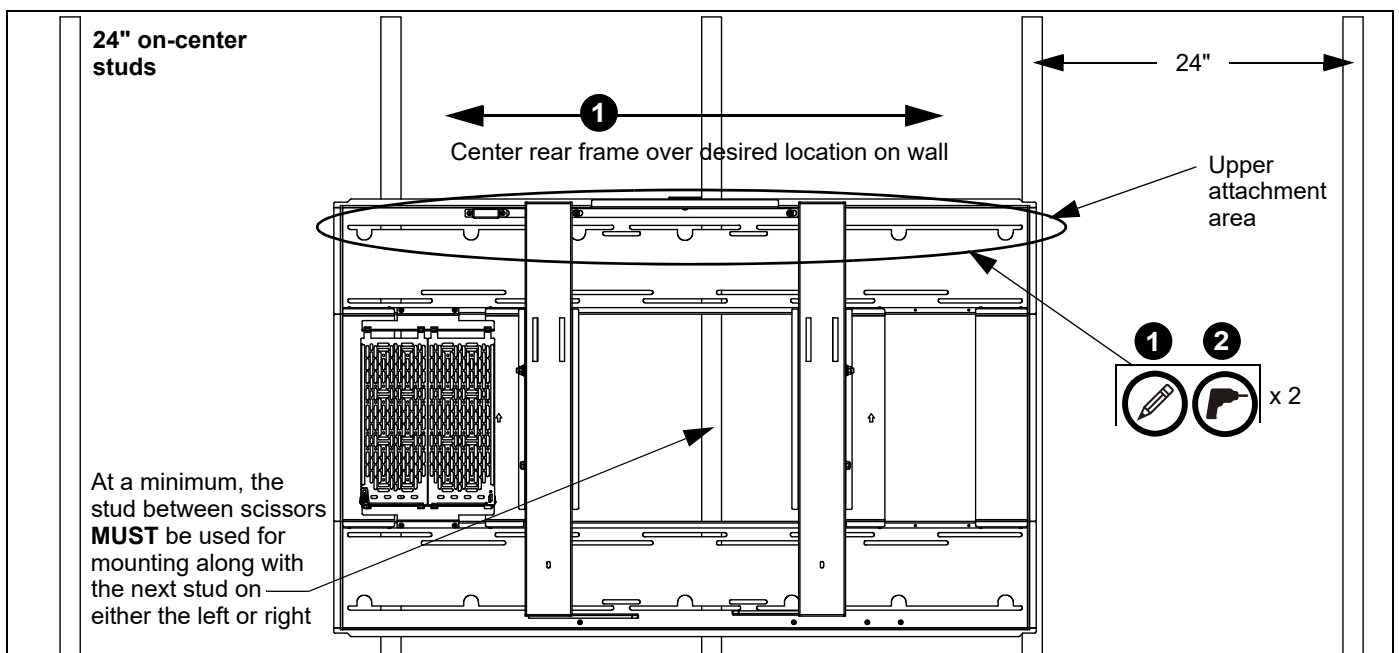


Figure 4

IMPORTANT ! : Attaching the rear frame requires a minimum of 8 wall fasteners.

IMPORTANT ! : (OPTIONAL) For additional rigidity in the installation, use a Snap-Toggle (AC) at each corner of the rear frame if it is not attached to the studs at those points. (See Figure 3) and (See Figure 4).

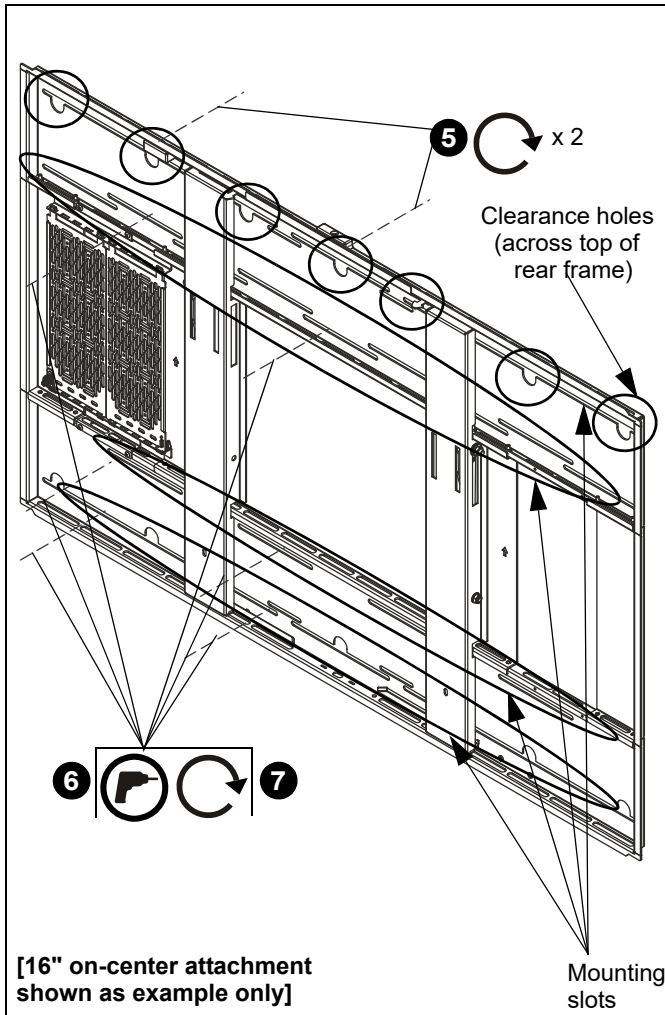


Figure 5

3. Partially install fasteners into wall, but do not completely tighten to wall.
4. Hang rear frame, aligning upper mounting slot clearance holes over fasteners and adjust side-to-side for proper location. (See Figure 5)
5. Tighten fasteners to secure rear frame to wall at upper mounting slots.
6. Drill six remaining pilot holes (see Table 1 for size) at attachment locations and follow fastener information (appropriate for wall type) located in Table 1. (See Figure 5)
7. Tighten six fasteners to secure rear frame to wall at middle and lower mounting slots.

IMPORTANT ! : (OPTIONAL) For additional rigidity in the installation, use a Snap-Toggle (AC) at each corner of the rear frame if it is not attached to the studs at those points. (See Figure 6)

IMPORTANT ! : Refer to **Fastener Installation Methods** (located in **Appendix** at end of Installation Instructions) for details on installing snap toggles and related fasteners into various wall types.

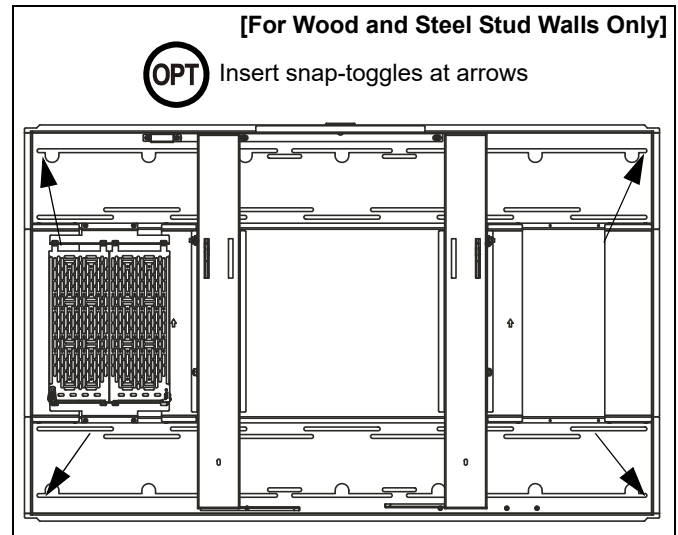


Figure 6

Attaching Flat Panel

1. Remove and **SAVE** four Phillips screws, loosen four thumb nuts and remove carrier frame from outer cover. (See Figure 7)

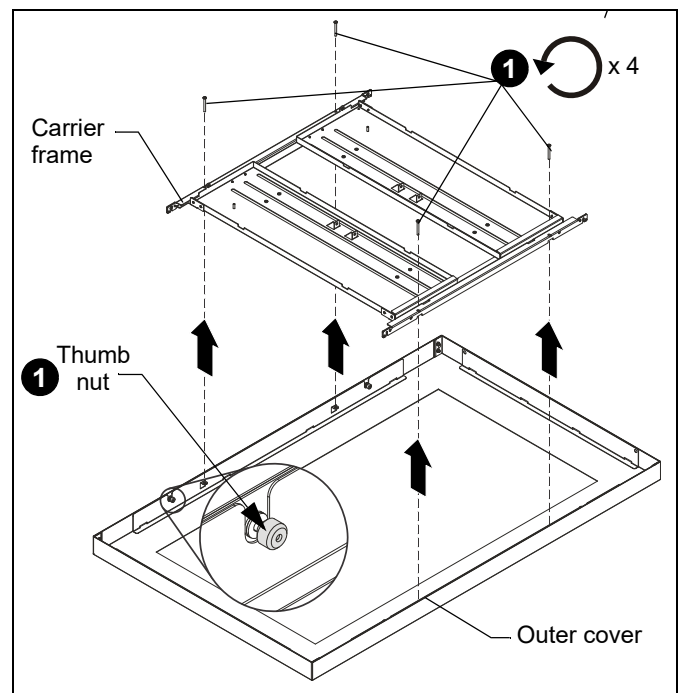


Figure 7

- Clean the inside edge of the outer cover (approximately one inch depth around entire opening) with an alcohol wipe or something similar, and let dry. (See Figure 8)
- Install gasket strip (B) around inside edge of outer cover opening. (See Figure 8)

NOTE: Do not install gasket strip right up to edge. The gasket strip should be placed approximately 1/16" away from opening.

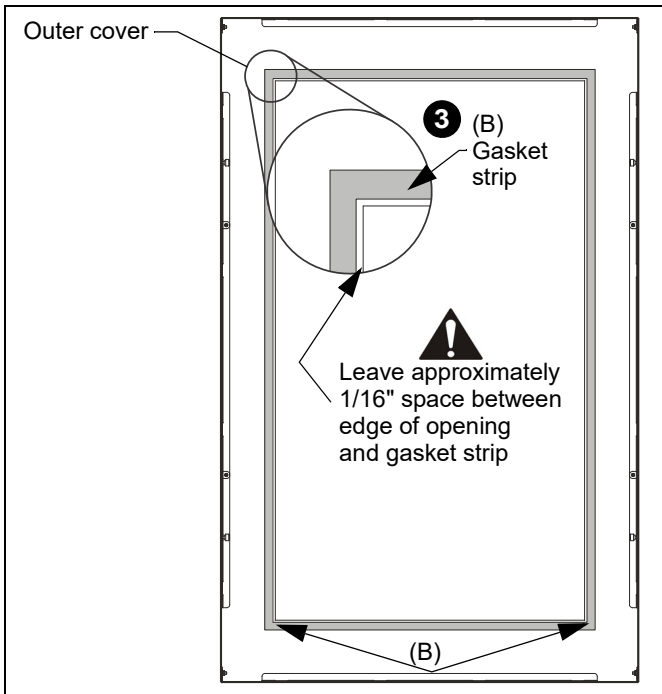


Figure 8

- Carefully lay flat panel face down into the depth-adjustable outer cover. (See Figure 9)

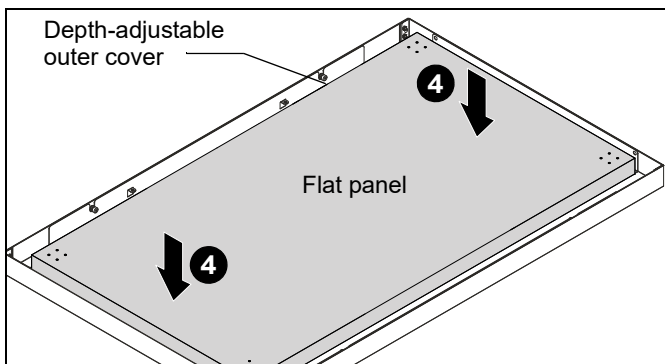


Figure 9

- Center flat panel on opening within outer frame in both vertical and horizontal directions.

NOTE: Measuring from inside edges to display edges assists in centering the display within opening.



WARNING: IMPROPER INSTALLATION CAN LEAD TO DISPLAY FALLING CAUSING SERIOUS PERSONAL INJURY OR DAMAGE TO EQUIPMENT! Using screws of improper size may damage your display. Properly sized screws will easily and completely thread into display mounting holes. If spacers are required, be sure to use longer screws of the same diameter.

- Select screw *diameter* by examining hardware (BA-BL) and comparing with mounting holes on flat panel.
- Select spacers:
 - Spacers are **NOT** required if mounting holes are not recessed and carrier frame can lay flat against flat panel.
 - Spacers (BM, BN) **ARE** required if mounting holes are recessed, or if protrusions prevent carrier frame from laying flat.
 - Spacers may also be used between the carrier frame and flat panel to create more space for AV components, or to accommodate thinner flat panels. (See **Depth Adjustment** section for further information.)
- Select screw *length*:
 - By hand, insert **SHORTEST** length screw of selected diameter (BA, BD, BG, or BJ) through universal washer (BO--if required), carrier frame, spacer (BM, BN--if required), into flat panel mounting hole. Do **NOT** thread screw into hole at this time.

IMPORTANT ! : The M8 screws do **NOT** require a washer. Use the universal washer (BO) **ONLY** with the M4, M5 or M6 screws.

- Proper screw length requires base of screw head to protrude above flat washer a *distance equal to or greater than the screw diameter*. If screw length is inadequate, select longer screw. Select *shortest* screw which will protrude the required distance.
- Place carrier frame onto back of flat panel and match the VESA pattern on flat panel to the carrier frame mounting slots. Also match the threaded studs in outer frame to the hooks on the carrier frame. (See Figure 10)
 - Use selected screws (BA-BL), washers (BO--if required), and spacers (BM, BN--if required), to connect carrier frame to back of flat panel. (See Figure 10)

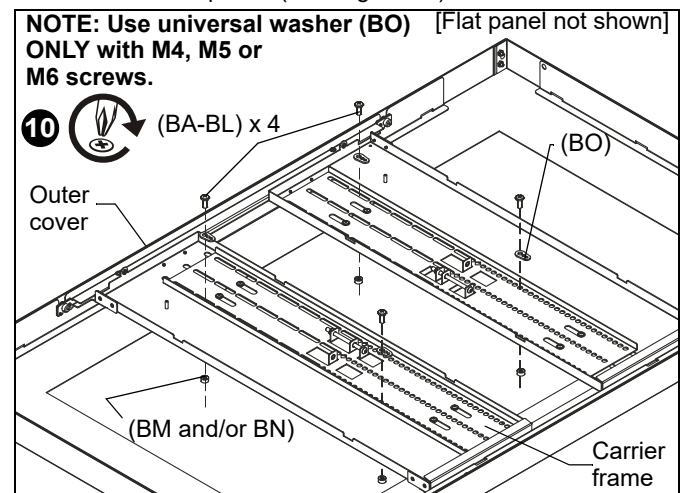


Figure 10

NOTE: The outer cover depth may be adjusted between 3" - 5" to make room for a variety of different flat panel thicknesses. (See Figure 11)

- This outer cover adjustable depth can also be used to make more space between the back of the flat panel and wall for AV component storage.
- The 4 Phillips screws removed in Step 1 can be replaced with four 10-24 x 3-1/2" Phillips screws (CC) for larger depth adjustments.

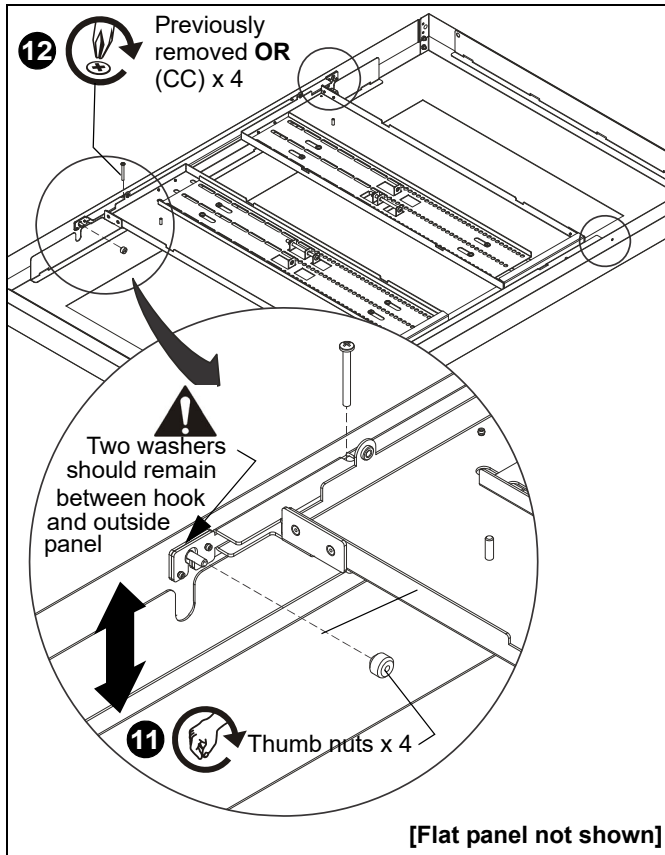


Figure 11

11. Tighten thumb nuts over threaded studs in four locations on the hinged frame. (See Figure 11)
12. Replace and fasten four Phillips screws which were removed in Step 1, **OR** replace the removed screws with four 10-24 x 3-1/2" Phillips head screws (CC) to allow for a larger depth adjustment of the outer frame. (See Figure 11)
13. Extend lower braces (on scissors assembly) so that they prop against bottom edge of the rear frame. (See Figure 12)

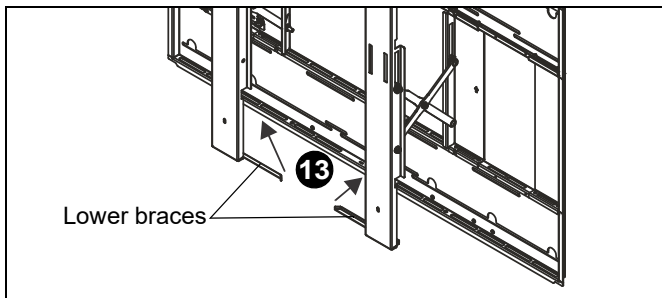


Figure 12

14. Carefully lift (using two people) the outer cover/carrier frame with attached flat panel.
15. Hang outer cover/carrier frame over scissors assembly on rear frame, ensuring that studs on carrier frame line up with holes on scissors assembly. (See Figure 16)
16. Fasten thumb nuts (CD) over studs to connect. (See Figure 16)

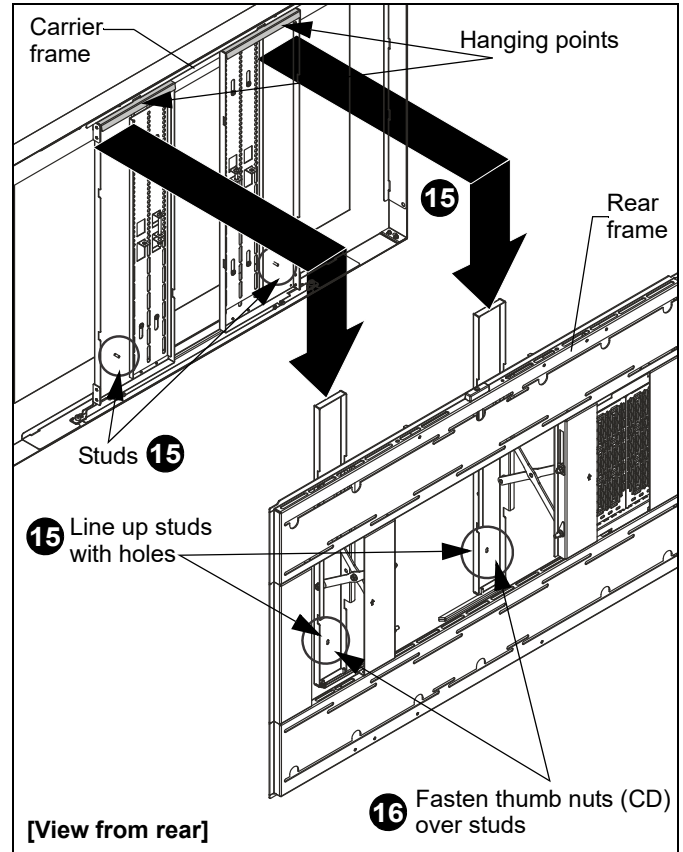


Figure 13

17. Push in outer cover until latched into rear frame.
18. Add one 10-24 x 3/8" button head security screw (CB) in hole on top, **AND** two security screws in two holes on bottom to lock door. (See Figure 14)

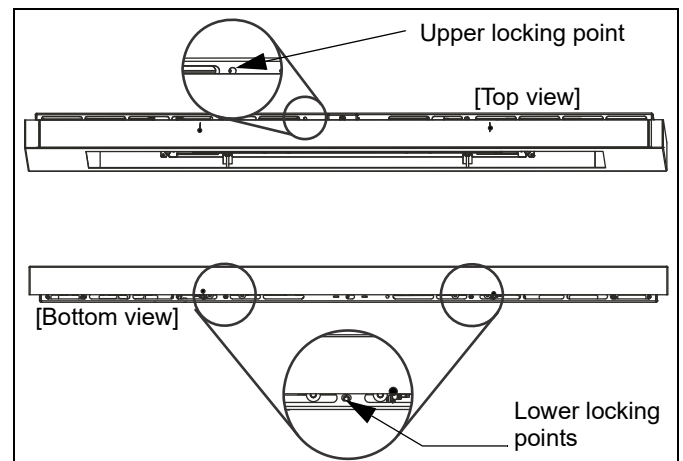


Figure 14

Cabling

1. Cables may be placed in the rear frame areas **outside** of the scissors assembly (gray areas). (See Figure 15)

IMPORTANT ! : Do NOT place cables where they may move between the scissors assembly. Damage to cables may occur. (See Figure 15)

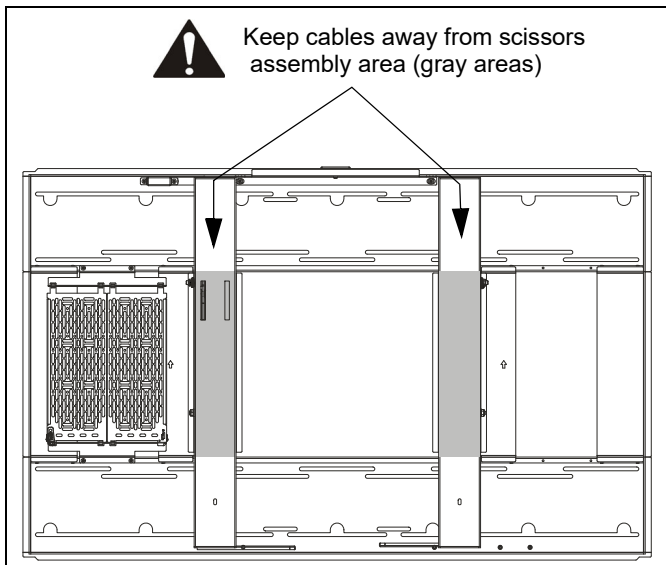


Figure 15

Fastener Installation Methods

IMPORTANT ! : See Table 1 for appropriate hardware and pilot hole sizes for various wall types.

Wood Stud

1. Use one 5/16" x 2-1/2" hex flange head lag bolt (AA) and one 5/16" washer (AB) through product and into pilot hole. (See Figure 16)
2. Repeat for remaining pilot holes.

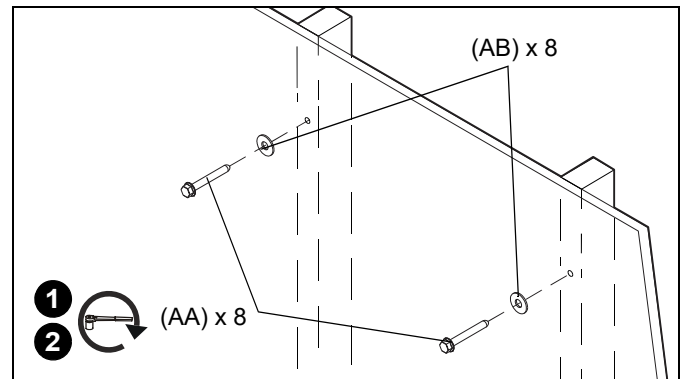


Figure 16

Concrete

1. Install one UX10x60R anchor (AF) into each pilot hole using a hammer, making sure that the anchor is flush with the wall. (See Figure)
2. Use one 5/16" x 2-1/2" hex flange head lag bolt (AA) and one 5/16" washer (AB) through product into each anchor in wall. (See Figure)
3. Repeat for remaining pilot holes.

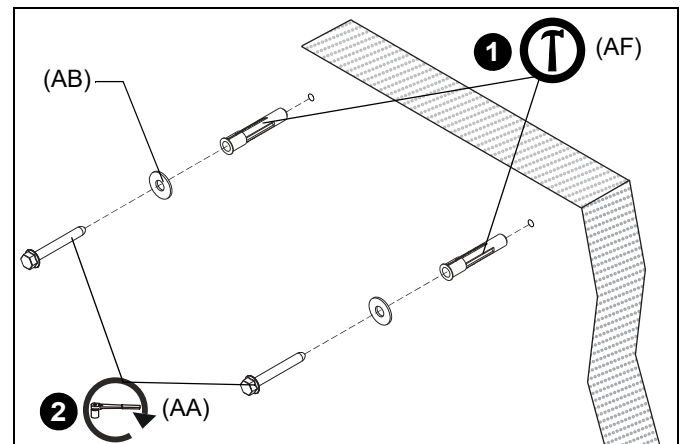


Figure 17

Steel Stud

IMPORTANT ! : See **Site Requirements for Steel Stud Installation** section before proceeding with Steel Studs installation to ensure installation site meets requirements! The drywall must have a minimum thickness of 1/2"!

1. Hold metal channel on anchor (AC) flat alongside plastic straps and slide channel through hole. (See Figure 18)

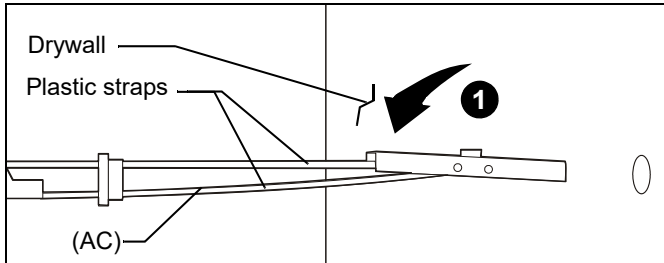


Figure 18

2. Holding plastic straps on anchor (AC), pull anchor away from wall until channel rests flush behind wall making sure anchor channel is positioned vertically on drywall, or steel stud (if present). (See Figure 19)
3. Slide plastic cap on anchor (AC) towards wall until flange of cap is flush with wall. (See Figure 19)

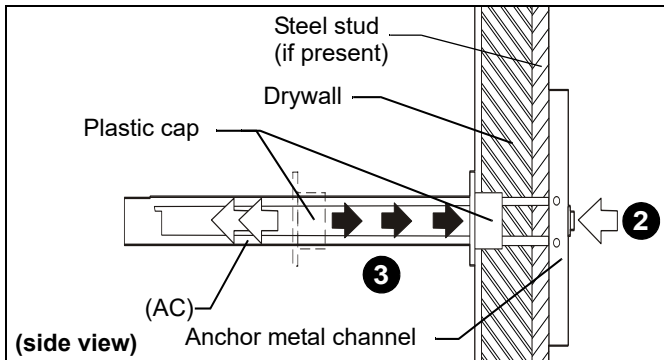


Figure 19

4. Snap off plastic straps on anchor at wall by pushing side to side, snapping off straps level with flange of plastic cap. (See Figure 20)

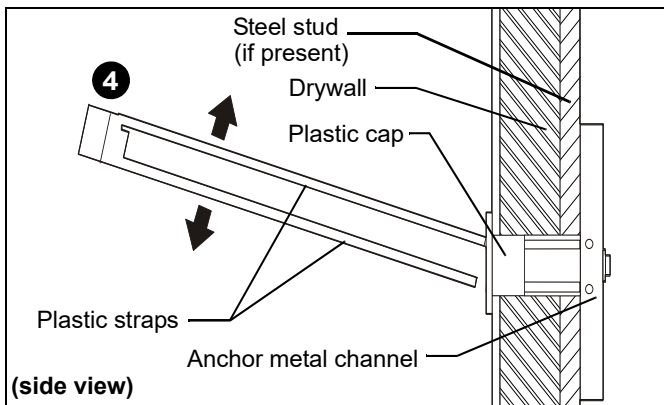


Figure 20

5. Line up anchor with attachment point.
6. Insert 1/4-20 x 1-3/4" Phillips pan head screw (AD) through 1/4" washer (AE), corresponding mounting hole in wall bracket and into anchor (AC), and tighten until flush against wall bracket. DO NOT over tighten! (See Figure 21)

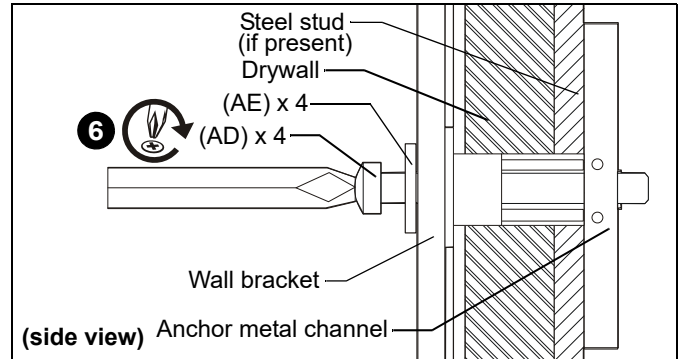


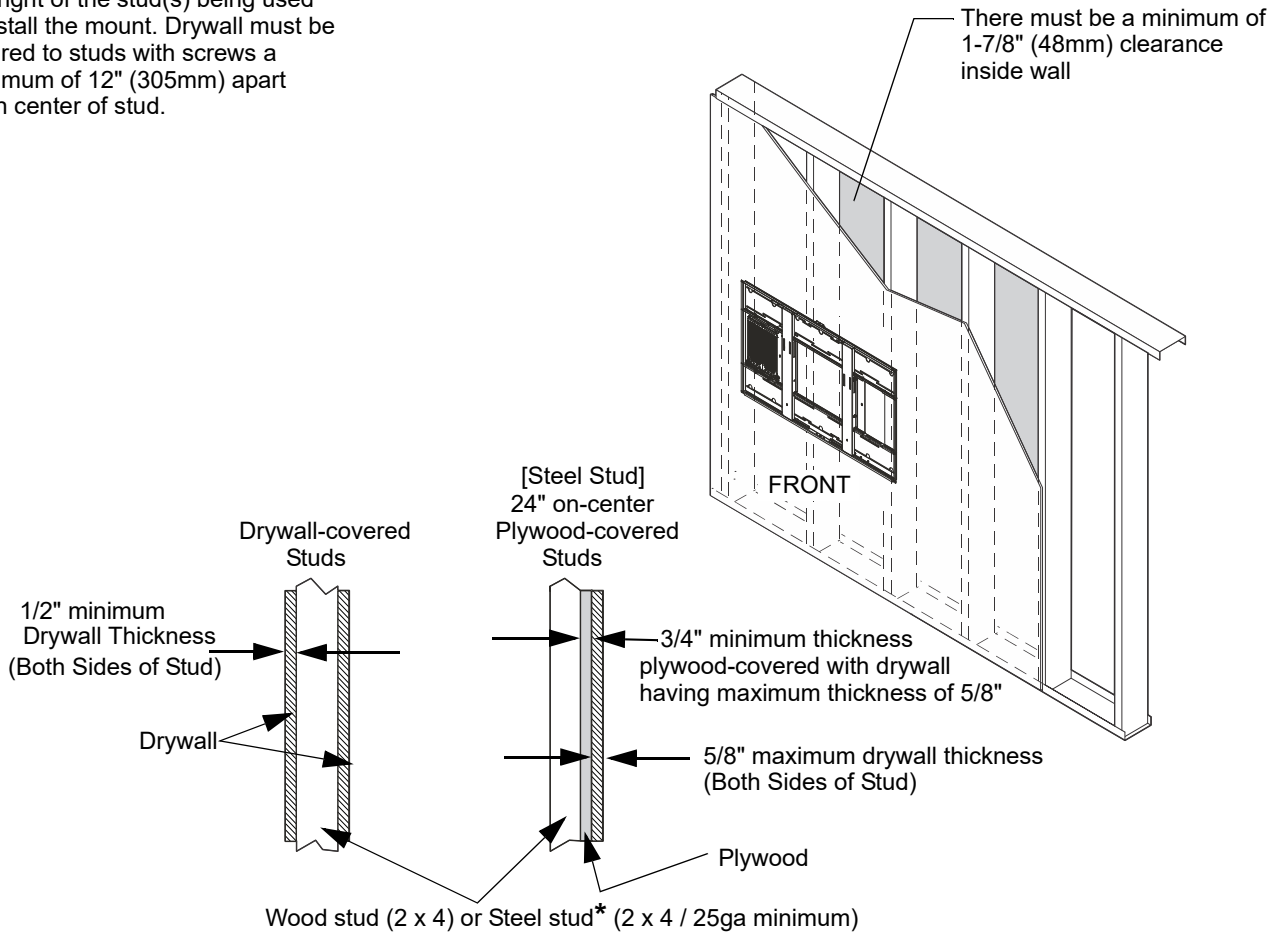
Figure 21

Site Requirements for Wood or Steel Stud



Steel Studs ONLY

If back side of wall is unfinished, drywall must be installed to a minimum of one stud left and right of the stud(s) being used to install the mount. Drywall must be secured to studs with screws a maximum of 12" (305mm) apart down center of stud.



*Steel stud type and structural strength must conform to the North American Specification for the Design of Cold-Formed Steel Structural Members. [362 S 125 18, C-Shaped, S-Stud Section]

Figure 22



8800-003219 Rev00
©2020 Legrand | AV
www.legrandav.com
10/20

USA/International	A 6436 City West Parkway, Eden Prairie, MN 55344 P 800.582.6480 / 952.225.6000 F 877.894.6918 / 952.894.6918
Europe	A Franklinstraat 14, 6003 DK Weert, Netherlands P +31 (0) 495 580 852 F +31 (0) 495 580 845
Asia Pacific	A Office No. 918 on 9/F, Shatin Galleria 18-24 Shan Mei Street Fotan, Shatin, Hong Kong P 852 2145 4099 F 852 2145 4477

