



FEATURES

- 1 CENTRIS' FINGERTIP TILT**
Effortlessly adjust display using Centris fingertip tilt technology. Screen angle stays set until you decide to readjust.
- 2 TELESCOPING HEIGHT ADJUSTMENT**
Integrated knob provides tool-less telescoping adjustment from 4 ft (120 cm) to 7 ft (210 cm).
- 3 CLICKCONNECT® LATCHING**
Hear an audible click when the screen engages with the mount. Easy to connect/disconnect - no tools needed!
- 4 PORTRAIT/LANDSCAPE CAPABILITY**
Mounts in either portrait or landscape position.
- 5 CABLE MANAGEMENT**
Flexible covers hide cables for a clean installation.



SPECIFICATIONS

Dimensions* (HxWxD)	91" x 36" x 30" (231.1 x 91.4 x 76.2 cm)
Center of Screen Height	4 - 7' (122 - 213 cm)
Tilt	±15°
Weight Capacity	200 lbs (90.7 kg)
Colors	Black, Silver

* Dimensions do not include interface bracket

WHAT YOU NEED TO KNOW

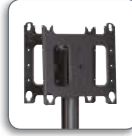
OTHER PRODUCT OPTIONS



MF1
30-55" Single Floor Stand

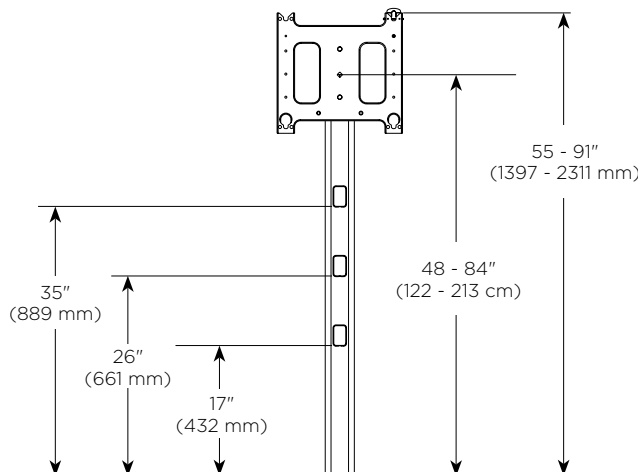


MF2
30-55" Dual Back-to-Back Floor Stand



PF2
42-71" Dual Back-to-Back Floor Stand

TECHNICAL DRAWINGS



RECOMMENDED ACCESSORIES



PAC710 □ Accessory Shelf



PAC720 □ Dual Display Accessory



PAC717 □ Literature Shelf

For a complete list of cart & stand accessories see pages **93 - 94**.