



FIXED WALL MOUNTS

LSTU □ 37 - 63" FIXED WALL MOUNT

THINSTALL® SERIES



FEATURES

- 1 ULTRA-LOW PROFILE**
The LSTU is specially designed to complement today's thinnest TVs.
- 2 EXCLUSIVE GLIDE LOCK™ LATCH**
Tool-less locking feature saves time and effectively secures TV to wall mount.
- 3 CABLE MANAGEMENT**
Unique cable kickstand allows easy cable access when needed.
- 4 LATERAL SHIFT**
Provides lateral shift for increased flexibility.

WHAT YOU NEED TO KNOW

ORDERING OPTIONS

Available in universal. For best cable management results, use in-wall accessories. See recommended accessories below.

OTHER PRODUCT OPTION



MSTU

Universal, Medium Thinstall Fixed Wall Mount

SPECIFICATIONS

Depth from Wall	0.39" (10 mm)
Max Mounting Pattern (H,W)	19.7" (500 mm) 31.5" (800 mm)
Max Screen Thickness	5.0" (127 mm)
Color	Black
Weight Capacity	125 lbs (57 kg)

RECOMMENDED ACCESSORIES

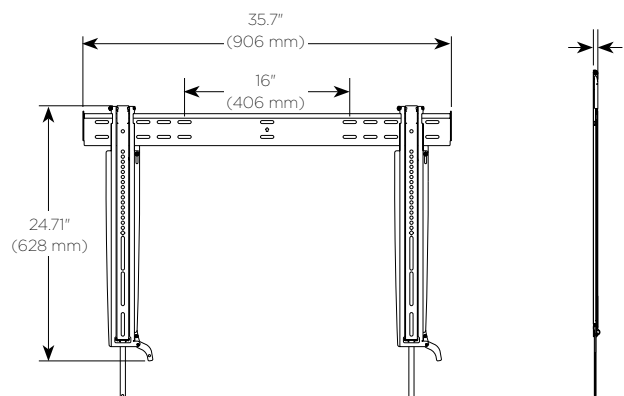


PAC522 ■ Multiple Option New Construction Pre-Wire Box



PAC521P ■ In-Wall Box with Power Outlet Conditioner

TECHNICAL DRAWINGS



205 Westwood Ave, Long Branch, NJ 07740
Phone: 866-94 BOARDS (26273) / (732)-222-1511
Fax: (732)-222-7088 | E-mail: sales@touchboards.com