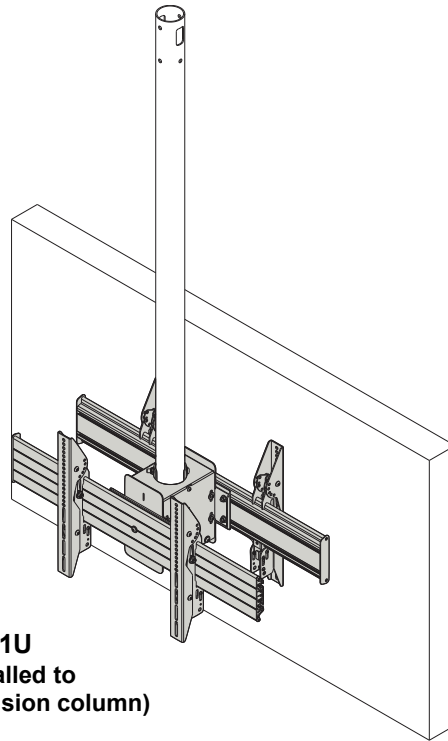

INSTALLATION INSTRUCTIONS



OLCB1U
(Shown installed to
ODAC Series extension column)

Back-to-Back Large Flat Panel Outdoor Ceiling Mount

DISCLAIMER

Milestone AV Technologies and its affiliated corporations and subsidiaries (collectively "Milestone"), intend to make this manual accurate and complete. However, Milestone makes no claim that the information contained herein covers all details, conditions or variations, nor does it provide for every possible contingency in connection with the installation or use of this product. The information contained in this document is subject to change without notice or obligation of any kind. Milestone makes no representation of warranty, expressed or implied, regarding the information contained herein. Milestone assumes no responsibility for accuracy, completeness or sufficiency of the information contained in this document.


Chief® is a registered trademark of Milestone AV Technologies. All rights reserved.


DEFINITIONS

MOUNTING SYSTEM: A MOUNTING SYSTEM is the primary Chief product to which an accessory and/or component is attached.


ACCESSORY: AN ACCESSORY is the secondary Chief product which is attached to a primary Chief product, and may have a component attached or setting on it.


COMPONENT: A COMPONENT is an audiovisual item designed to be attached or resting on an accessory or mounting system such as a video camera, CPU, screen, display, projector, etc.


 **WARNING:** A WARNING alerts you to the possibility of serious injury or death if you do not follow the instructions.

 **CAUTION:** A CAUTION alerts you to the possibility of damage or destruction of equipment if you do not follow the corresponding instructions.

 **IMPORTANT SAFETY INSTRUCTIONS**

 **WARNING:** Failure to read, thoroughly understand, and follow all instructions can result in serious personal injury, damage to equipment, or voiding of factory warranty! It is the installer's responsibility to make sure all components are properly assembled and installed using the instructions provided.


 **WARNING:** Failure to provide adequate structural strength for this component can result in serious personal injury or damage to equipment! It is the installer's responsibility to make sure the structure to which this component is attached can support five times the combined weight of all equipment. Reinforce the structure as required before installing the component.

 **WARNING:** Exceeding the weight capacity can result in serious personal injury or damage to equipment! It is the installer's responsibility to make sure the combined weight of all components located within the mounting system of the


OLCB1U mounts does not exceed 250 lbs (113.4 kg) total or 125 lbs (56.7 kg) per display.


125
125


NOTE: "Moment" ratings have NOT been evaluated by UL.


 **WARNING:** Exceeding the maximum moment can result in serious personal injury or damage to equipment! It is the installer's responsibility to make sure the mounting system does not exceed a moment of 2000 ft-lbs. See table below for specific column specifications.


COLUMN MODEL	Weight capacity	Moment Length (IN) (ML)	Max Design Moment (FT-LBS) (MDM)
ODAC0203B	300 lbs (136 kg)	23 min - 36 max	2000
ODAC0304B	300 lbs (136 kg)	33 min - 48 max	2000
ODAC0405B	300 lbs (136 kg)	45 min - 60 max	2000
ODAC0506B	300 lbs (136 kg)	57 min - 72 max	2000
ODAC0708B	300 lbs (136 kg)	81 min - 96 max	2000

 **WARNING:** Never operate this mounting system if it is damaged. Return the mounting system to a service center for examination and repair.

 **WARNING:** Use this mounting system only for its intended use as described in these instructions. Do not use attachments not recommended by the manufacturer.

 **WARNING:** Never operate this mounting system if it is damaged. Return the mounting system to a service center for examination and repair.

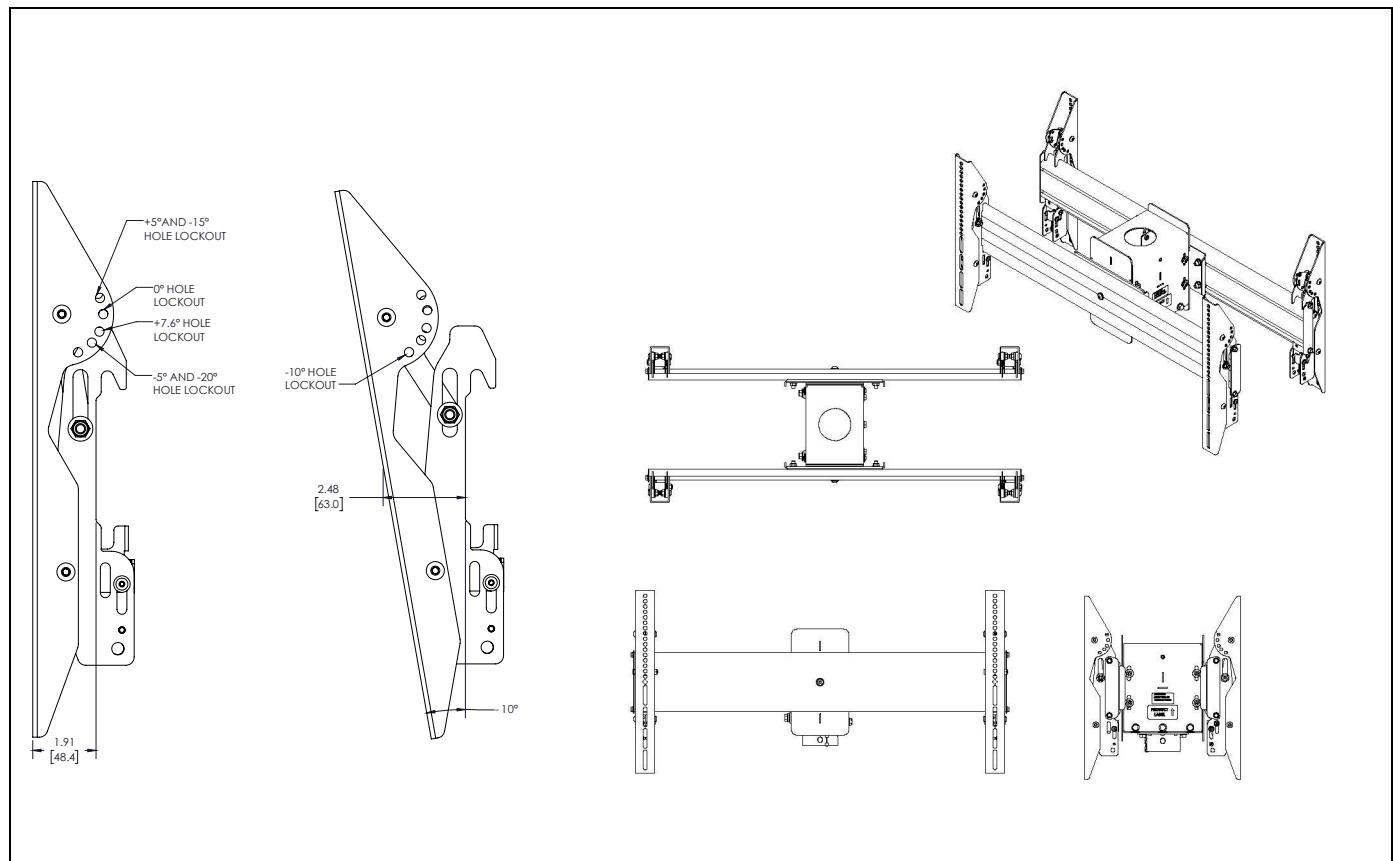
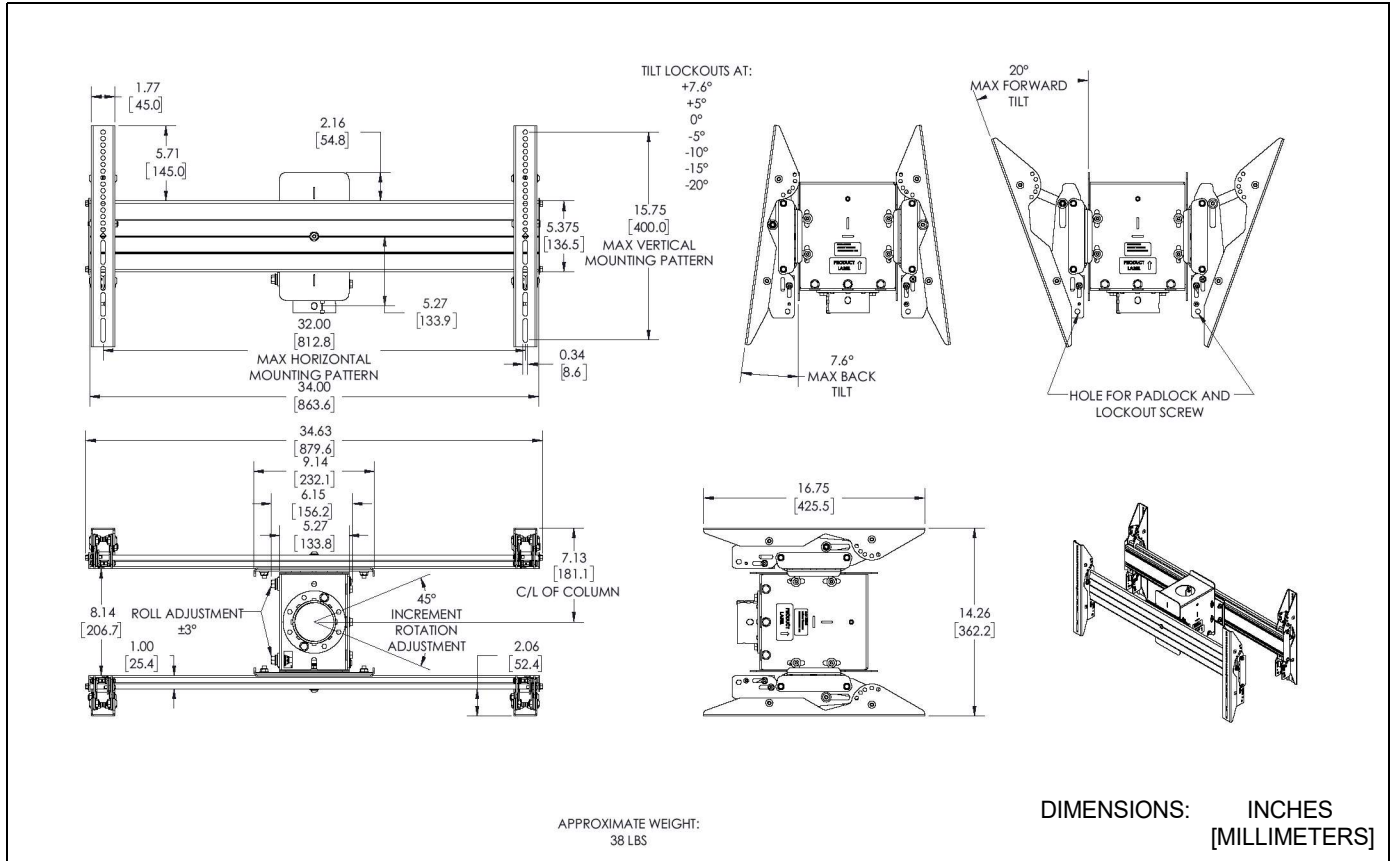
 **WARNING:** Use this mounting system with other outdoor products only.

 **WARNING:** Always use two people or a mechanical lifting device to safely lift and position equipment.

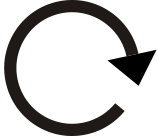

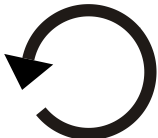






NOTE: The OLCB1U flat panel floor/ceiling mounts are intended to be used with UL Listed ODAC Series columns (not included): ODAC0203, ODAC0304, ODAC0405, ODAC0506, ODAC0708.

--SAVE THESE INSTRUCTIONS--

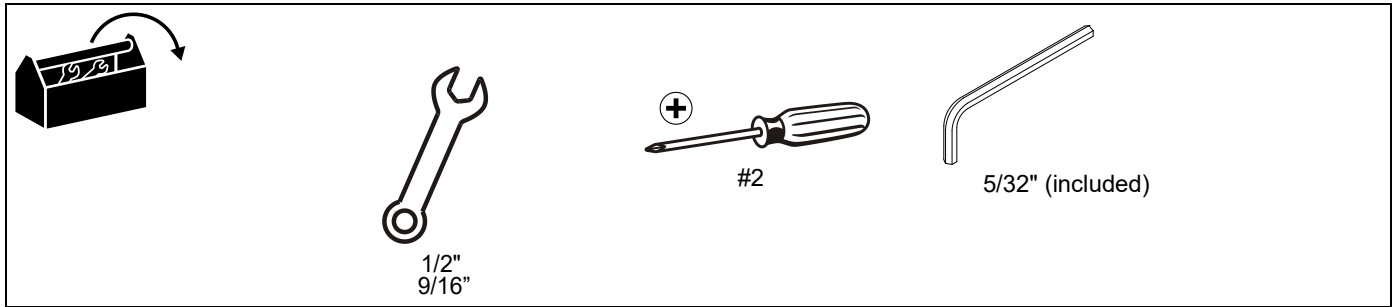
DIMENSIONS



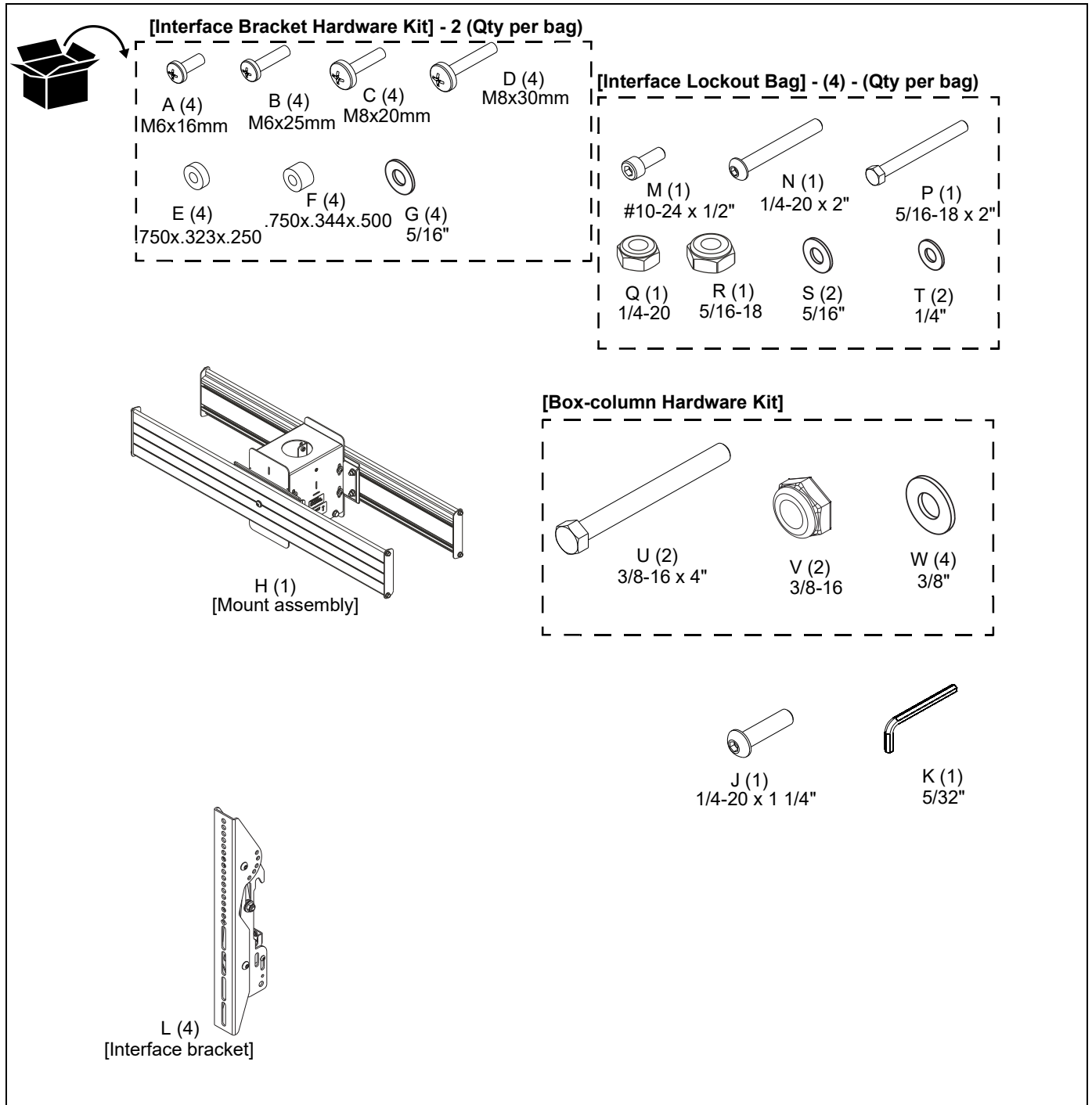
LEGEND

	Tighten Fastener Apretar elemento de fijación Befestigungsteil festziehen Apertar fixador Serrare il fissaggio Bevestiging vastdraaien Serrez les fixations		Adjust Ajustar Einstellen Ajustar Regolare Afstellen Ajuster
	Loosen Fastener Aflojar elemento de fijación Befestigungsteil lösen Desapertar fixador Allentare il fissaggio Bevestiging losdraaien Desserrez les fixations		Remove Quitar Entfernen Remover Rimuovere Verwijderen Retirez
	Phillips Screwdriver Destornillador Phillips Kreuzschlitzschraubendreher Chave de fendas Phillips Cacciavite a stella Kruiskopschroevendraaier Tournevis à pointe cruciforme		Optional Opcional Optional Opcional Opzionale Optie En option
	Open-Ended Wrench Llave de boca Gabelschlüssel Chave de bocas Chiave a punte aperte Steeksleutel Clé à fourche		By Hand A mano Von Hand Com a mão A mano Met de hand À la main
	Hex-Head Wrench Llave de cabeza hexagonal Sechskantschlüssel Chave de cabeça sextavada Chiave esagonale Zeskantsleutel Clé à tête hexagonale		

TOOLS REQUIRED FOR INSTALLATION



PARTS



INSTALLATION

IMPORTANT ! : The following procedure assumes that:

- a UL Listed ODAC Series Floor/Ceiling Column (not included) has been properly installed following instructions provided with plate and pipe.

Attaching Mount to ODAC Series Column



CAUTION: WATCH FOR PINCH POINTS! Do not place fingers between movable parts.

1. Slide mount assembly (H) onto ODAC Series Floor/Ceiling Column. (See Figure 1) or (See Figure 2)
2. Use two 3/8-16 x 4" hex head tapping bolts (U), four 3/8" washers (W) and 3/8-16 hex nuts (V). (See Figure 1) or (See Figure 2)

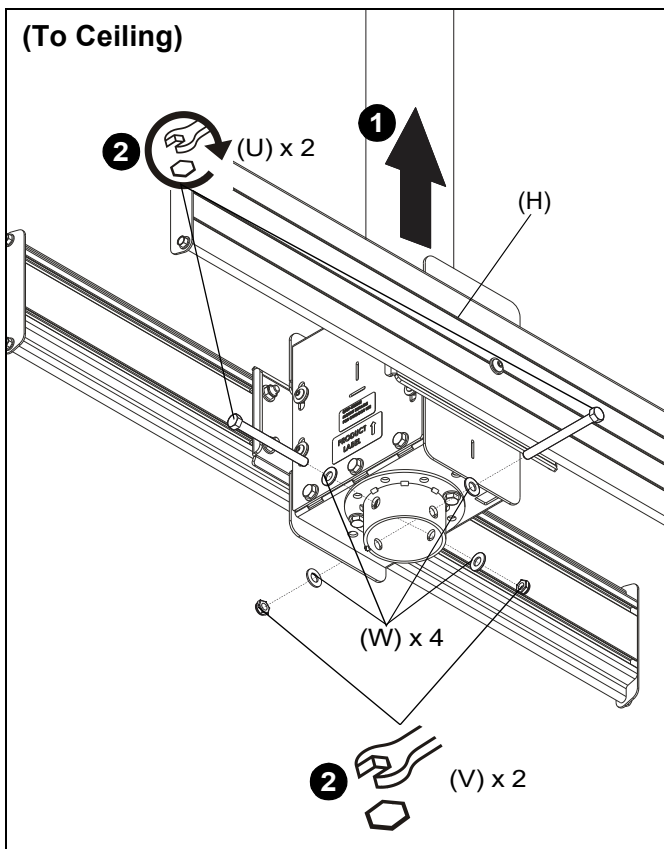


Figure 1

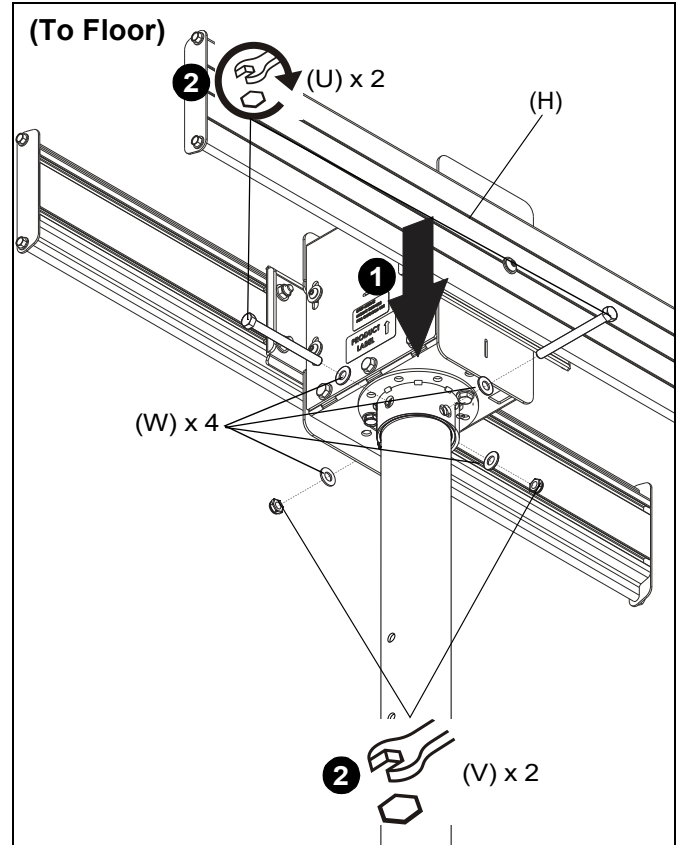


Figure 2

3. Install 1/4-20 x 1 1/4" button head cap screw (J) into mount assembly (H) to prevent column from rattling. (See Figure 3)

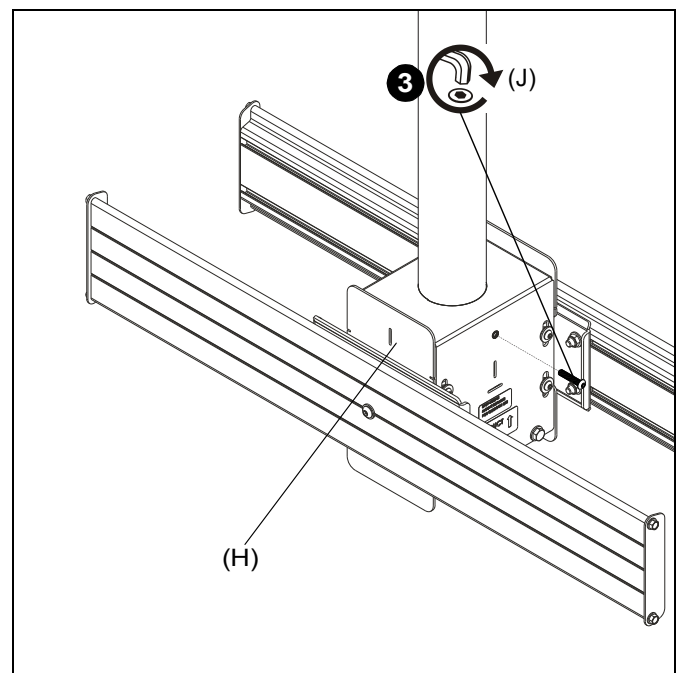


Figure 3

Attaching Interface Brackets to Display

1. Lower the latch mechanism on each interface bracket (L). (See Figure 4)

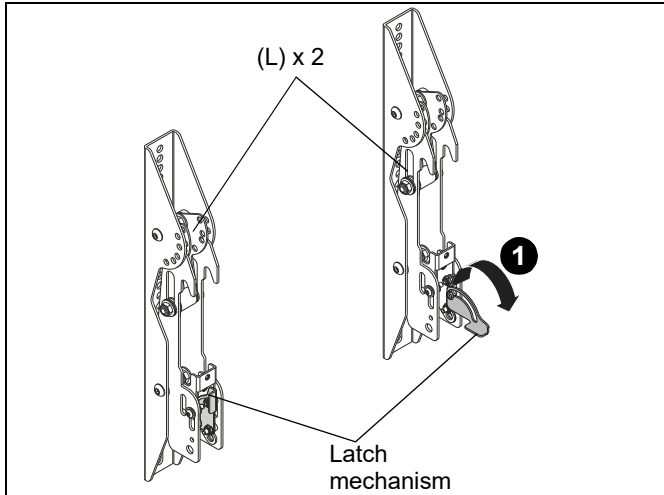


Figure 4

2. Align the center of the interface bracket (L) with center of screen. (See Figure 5)

NOTE: The diamond-shape hole in the bracket corresponds to the center of the mount.

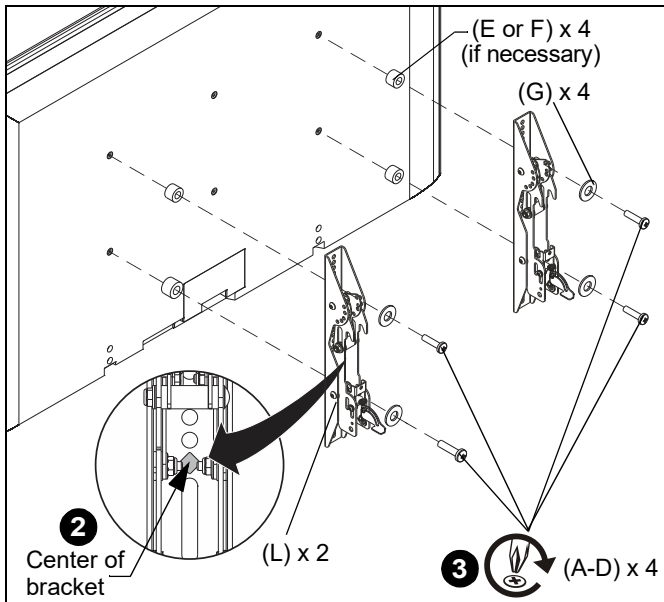


Figure 5



WARNING: IMPROPER INSTALLATION CAN LEAD TO DISPLAY FALLING CAUSING SERIOUS PERSONAL INJURY OR DAMAGE TO EQUIPMENT! Using screws of improper size may damage your display. Properly sized screws will easily and completely thread into display mounting holes. If spacers are required, be sure to use longer screws of the same diameter.

3. Select correct screws, spacers (if necessary) and universal washers from the hardware bag (A-G) and attach brackets (L) to back of screen. (See Figure 5)

Attaching Display to Ceiling Mount



WARNING: Exceeding the weight capacity can result in serious personal injury or damage to equipment! It is the installer's responsibility to make sure the combined weight of all components located within the mounting system of the OLCB1U mounts does not exceed 250 lbs (113.4 kg) total or 125 lbs (56.7 kg) per display.

1. Ensure that the latch mechanisms on interface brackets (L) are already lowered. (See Figure 4)
2. While supporting both sides of display, lower display onto ceiling mount, hooking top of interface brackets onto front of ceiling mount. (See Figure 6)



WARNING: IMPROPER INSTALLATION CAN LEAD TO DISPLAY FALLING CAUSING SERIOUS PERSONAL INJURY OR DAMAGE TO EQUIPMENT! The display MUST be centered on the ceiling mount.

3. Raise the latch mechanism on both interface brackets to lock bracket in place. (See Figure 6)

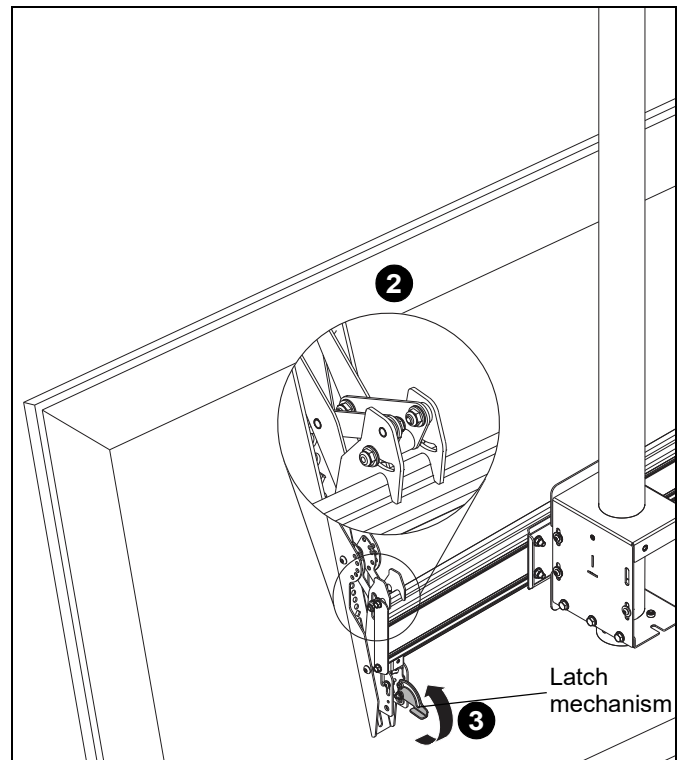


Figure 6

- Fasten brackets against ceiling mount extrusion using #10-24 x 1/2" socket head cap screws (M). (See Figure 7)
- Repeat for other interface bracket.

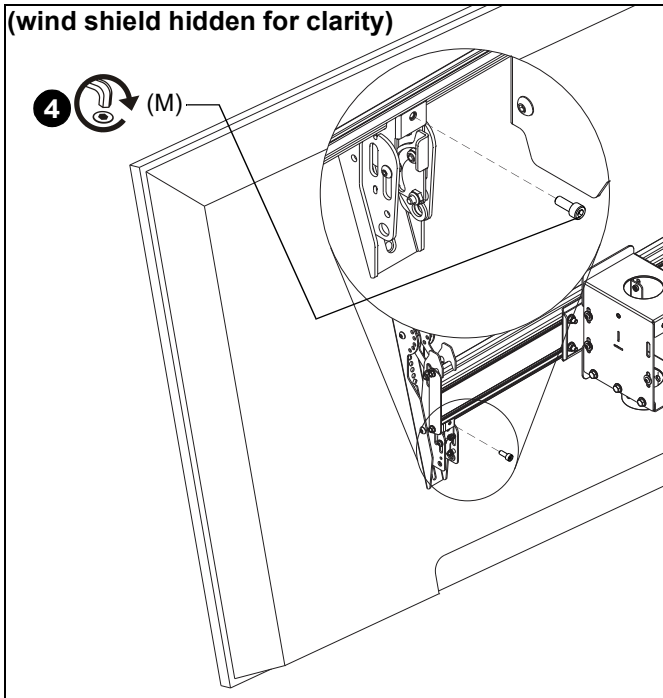


Figure 7

- Repeat Steps 1-5 to install display to the other side of the mount.

Adjustments



CAUTION: Watch for pinch points! Do not place fingers between movable parts.

Yaw

The ceiling mounts allows yaw adjustment in 45° increments in each direction.

- Remove two bolts and washers connecting column collar to mount assembly box. (See Figure 8)
- Adjust yaw in 45° increment until desired position is achieved. (See Figure 8)
- Reinstall bolts and washers removed in Step 1. (See Figure 8)

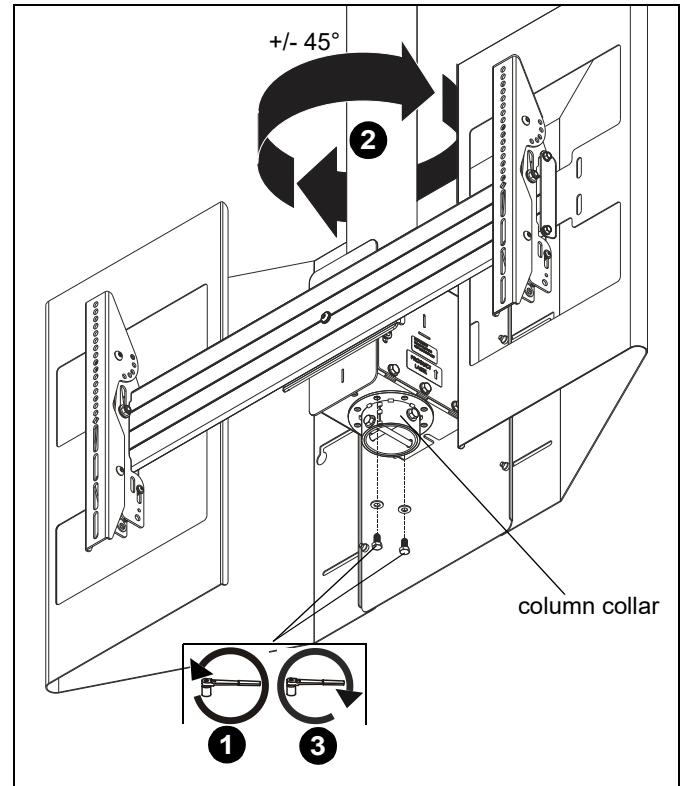


Figure 8

Tilt



CAUTION: Watch for pinch points! Do not place fingers between movable parts.

The interface brackets allow -7.6° to 20° tilt, and can be locked at -7.6°, -5°, 0°, 5°, 10°, 15° and 20° tilt. (See Figure 9)

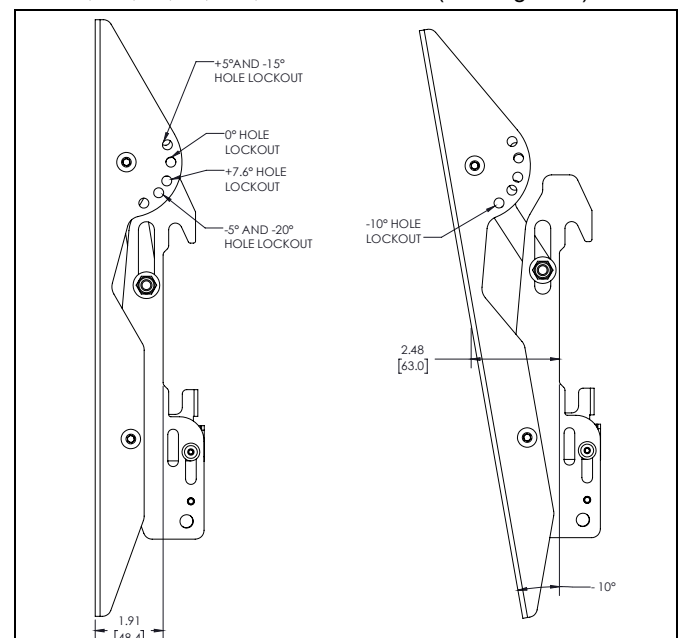


Figure 9

4. If necessary, loosen button head tilt friction bolt (located on side of interface bracket). (See Figure 10)
5. Adjust tilt as required. (See Figure 10)
6. The tilt may be locked at -7.6°, -5°, 0°, 5°, 10°, 15° and 20° using one 1/4-20 x 2" Phillips head screw (N), one 1/4-20 lock nut (Q) and two 1/4" washers (T) per interface bracket. (See Figure 9) and (See Figure 10)

NOTE: Use of washers (T) is optional.

7. Tighten button head tilt friction bolt as necessary.

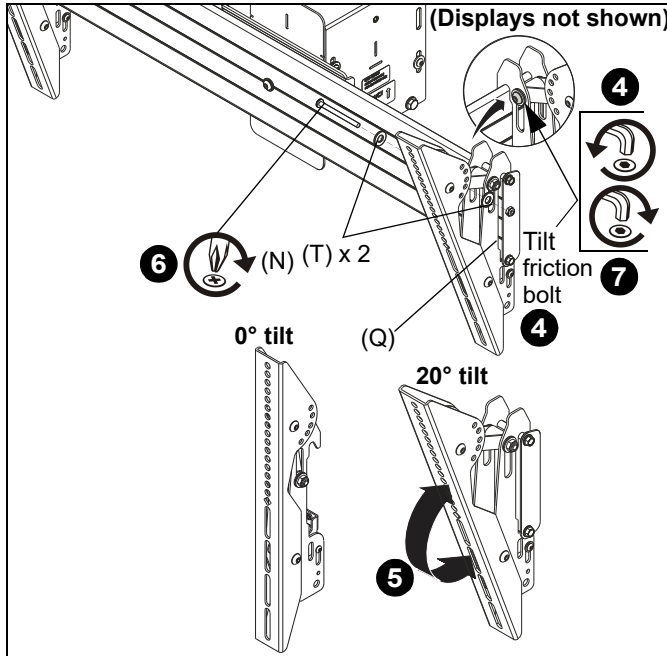


Figure 10

Roll

1. Adjust roll adjustment screw to change roll position. The roll may be adjusted 3° in either direction. (See Figure 11)

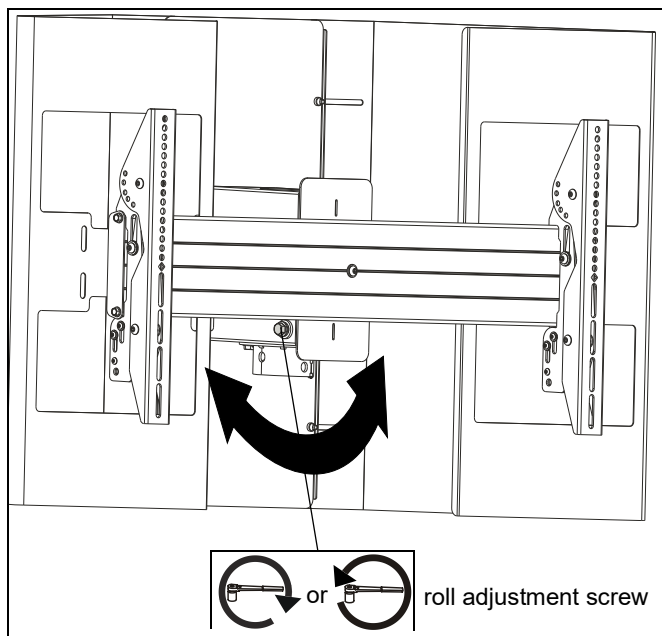


Figure 11

Latch Lock/Security

IMPORTANT ! : In order to prevent interface latch from getting loose due to strong winds, the latch **MUST** be locked either using a padlock or locking bolt (N) and 5/16-18 hex nuts (Q). This is **NOT** optional!

Using Padlocks (Security)

1. Add padlock (not included) to each interface bracket to lock latch and to provide security for displays. (See Figure 12)

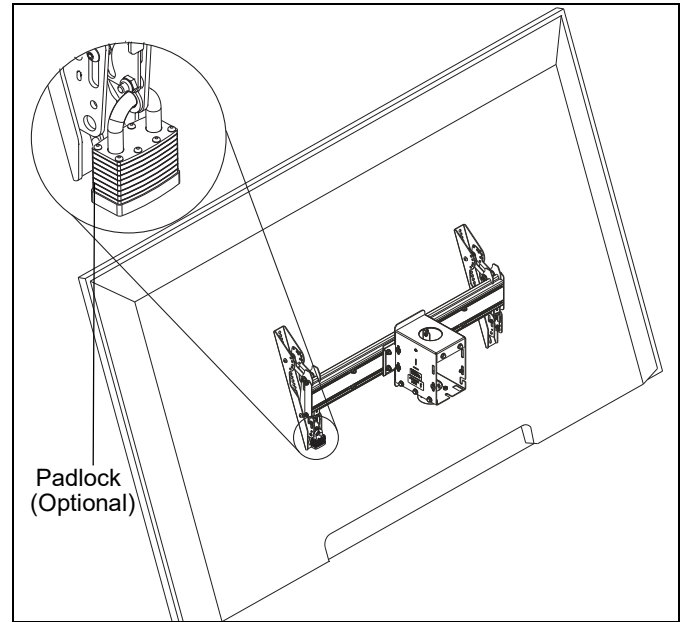


Figure 12

Using Bolts/Nuts

NOTE: This will keep latch from opening but does not provide additional security for the displays.

1. Use 5/16-18 x 2" hex head carriage bolt (P), 5/16-18 hex nut (R) and two 5/16" washers (S) to lock each interface bracket latch in place. (See Figure 13)

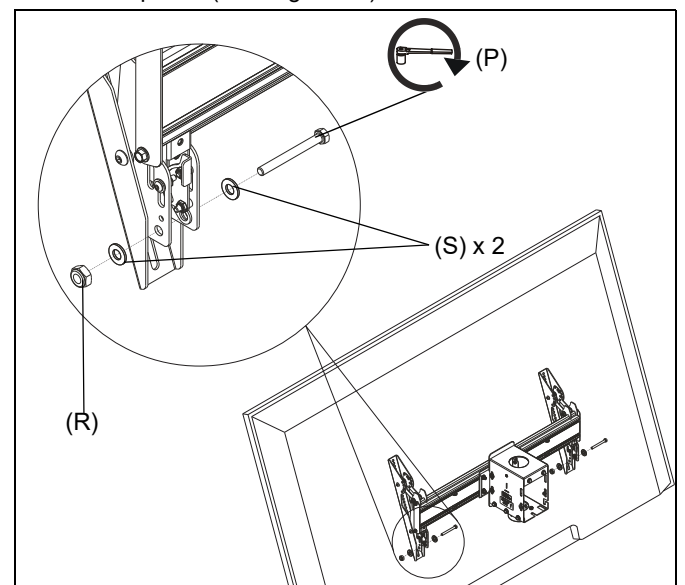


Figure 13



Our Mounts. **Your Vision.**

Chief Manufacturing, a products division
of Milestone AV Technologies

8800-003021 Rev01
©2018 Milestone AV Technologies
www.milestone.com
12/18

USA/International	A 6436 City West Parkway, Eden Prairie, MN 55344 P 800.582.6480 / 952.225.6000 F 877.894.6918 / 952.894.6918
Europe	A Franklinstraat 14, 6003 DK Weert, Netherlands P +31 (0) 495 580 852 F +31 (0) 495 580 845
Asia Pacific	A Office No. 918 on 9/F, Shatin Galleria 18-24 Shan Mei Street Fotan, Shatin, Hong Kong P 852 2145 4099 F 852 2145 4477

