

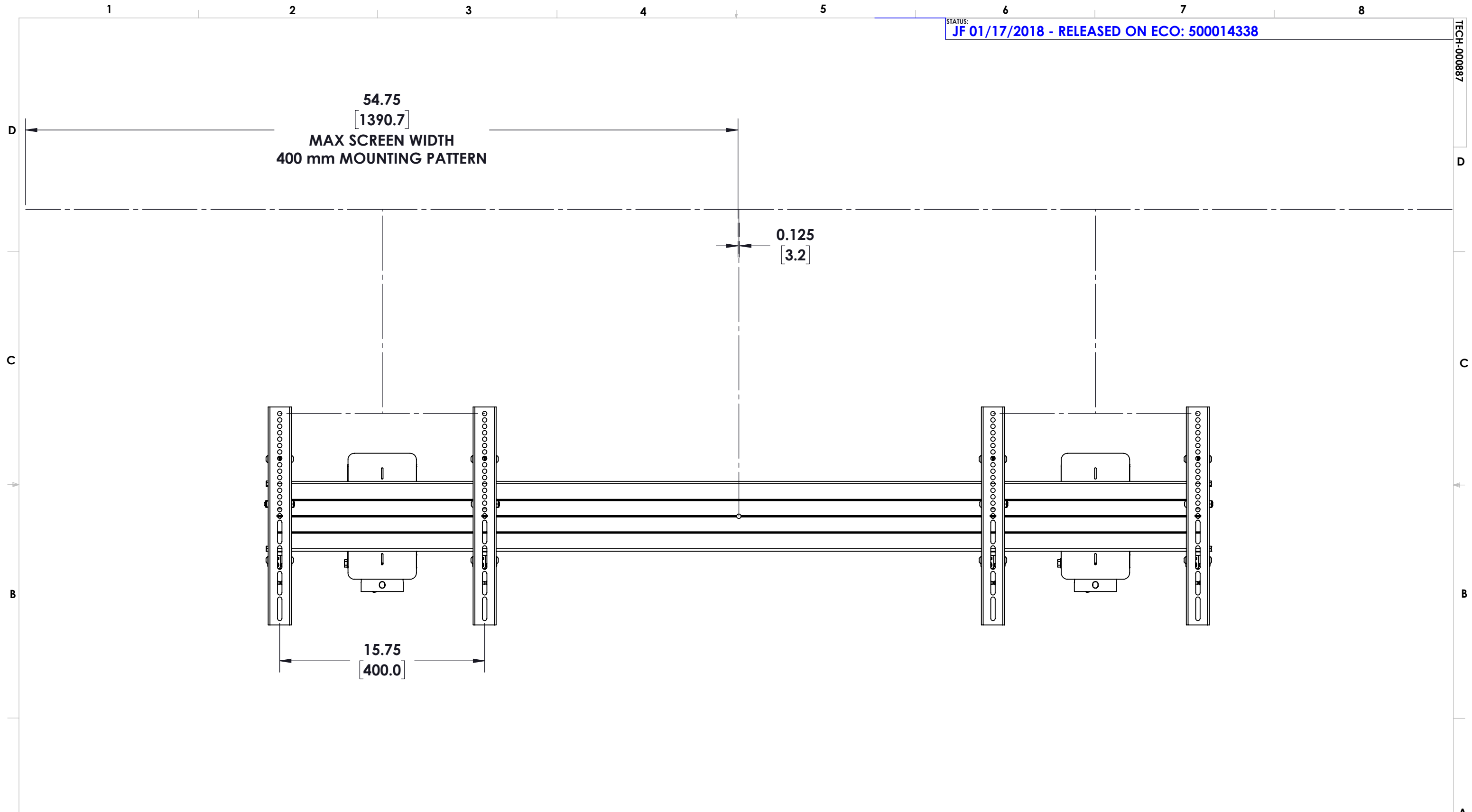
MIN 39.07 - MAX 54.81
[992.3] - [1392.3]
SPACING; COLUMNS
SHOULD BE APPROXIMATELY
CENTERED ON DISPLAY

TILT LOCKOUTS AT:
+7.6°
+5°
0°
-5°
-10°
-15°
-20°


APPROXIMATE WEIGHT:
76 LBS

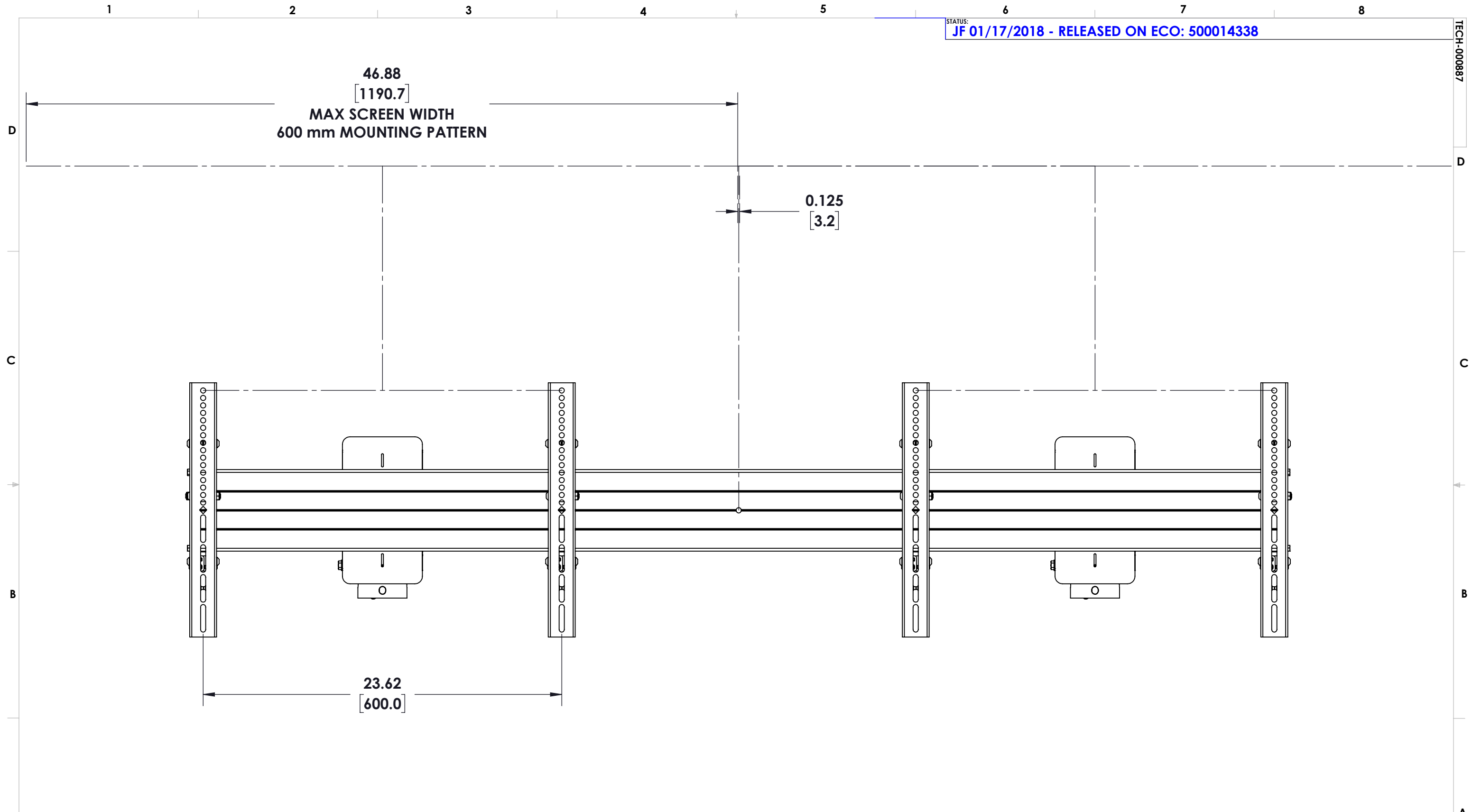
THE INFORMATION AND DESIGNS CONTAINED IN THIS DRAWING ARE CONFIDENTIAL AND THE PROPRIETARY PROPERTY OF MILESTONE AV TECHNOLOGIES NEITHER THIS DESIGN NOR ANY INFORMATION CONTAINED IN THIS DRAWING MAY BE REPRODUCED OR DISCLOSED TO OTHERS WITHOUT THE EXPRESS WRITTEN CONSENT OF MILESTONE AV TECHNOLOGIES.

CAD GENERATED DRAWING, DO NOT MANUALLY UPDATE.		CHIEF 6436 CITY WEST PKWY EDEN PRAIRIE MN, 55344 PHONE: 866-977-3901 FAX: 877-894-6918
DRAWN BY	JF 1/5/2018	
ENG APPROVAL		DESCRIPTION ODM LFP CEILING 2X1 B2B MNT
MFG APPROVAL		MODEL NO. OLCB2X1U
QA APPROVAL		SIZE DWG. NO. B TECH-000887
SHEET 1 OF 6		SCALE 1:8
		REV. 00



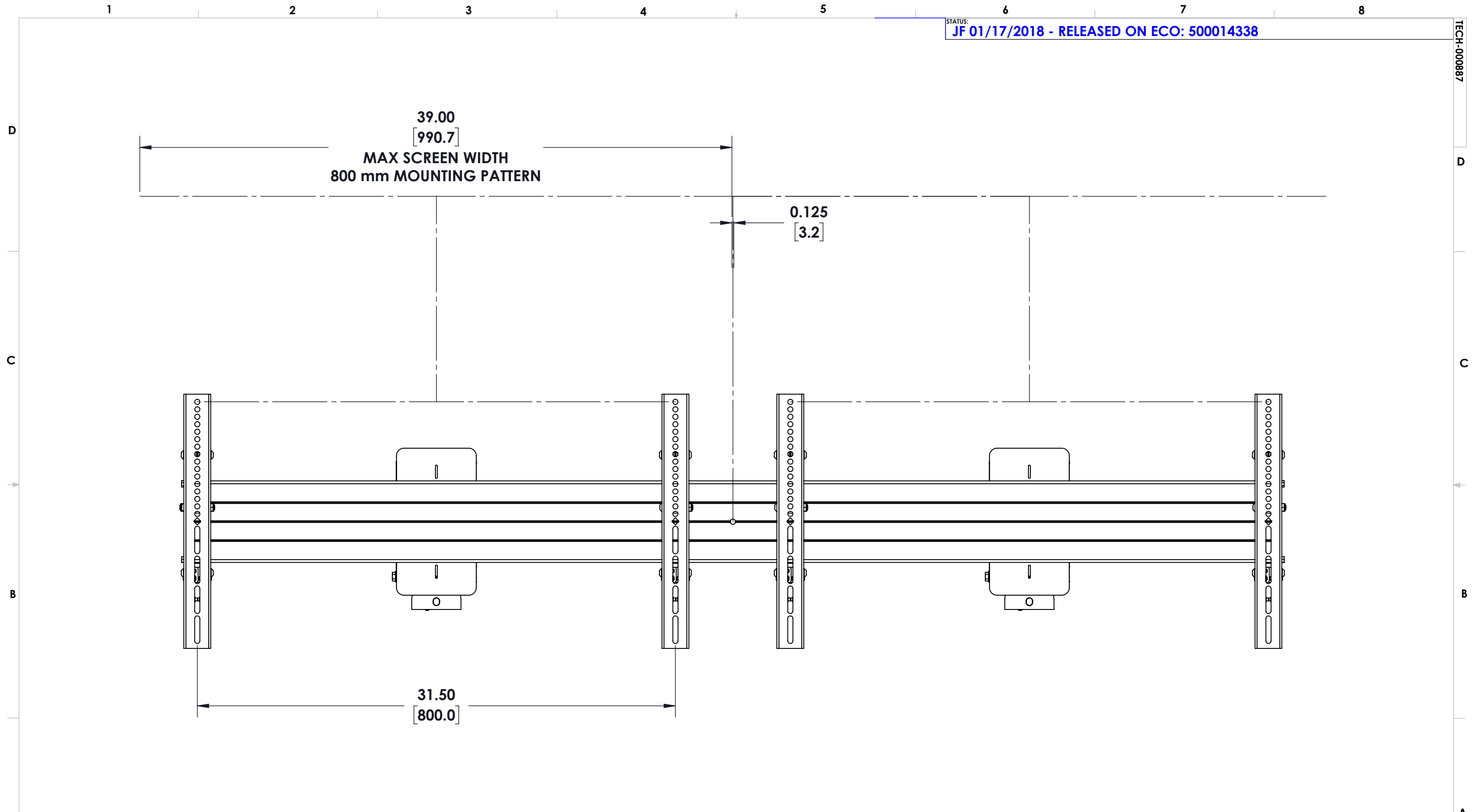
THE INFORMATION AND DESIGNS CONTAINED IN THIS DRAWING ARE CONFIDENTIAL AND THE PROPRIETARY PROPERTY OF MILESTONE AV TECHNOLOGIES NEITHER THIS DESIGN NOR ANY INFORMATION CONTAINED IN THIS DRAWING MAY BE REPRODUCED OR DISCLOSED TO OTHERS WITHOUT THE EXPRESS WRITTEN CONSENT OF MILESTONE AV TECHNOLOGIES.

CAD GENERATED DRAWING, DO NOT MANUALLY UPDATE.			 6436 CITY WEST PKWY EDEN PRAIRIE MN, 55344 PHONE: 866-977-3901 FAX: 877-894-6918	
DRAWN BY	JF	1/5/2018	DESCRIPTION	
ENG APPROVAL			ODM LFP CEILING 2X1 B2B MNT	
MFG APPROVAL			MODEL NO.	
QA APPROVAL			OLCB2X1U	
SHEET 2 OF 6		SCALE	SIZE	DWG. NO.
		1:7	B	TECH-000887
				REV.
				00



THE INFORMATION AND DESIGNS CONTAINED IN THIS DRAWING ARE CONFIDENTIAL AND THE PROPRIETARY PROPERTY OF MILESTONE AV TECHNOLOGIES NEITHER THIS DESIGN NOR ANY INFORMATION CONTAINED IN THIS DRAWING MAY BE REPRODUCED OR DISCLOSED TO OTHERS WITHOUT THE EXPRESS WRITTEN CONSENT OF MILESTONE AV TECHNOLOGIES.

CAD GENERATED DRAWING, DO NOT MANUALLY UPDATE.			6436 CITY WEST PKWY EDEN PRAIRIE MN, 55344 PHONE: 866-977-3901 FAX: 877-894-6918	
DRAWN BY	JF	1/5/2018	DESCRIPTION	
ENG APPROVAL			ODM LFP CEILING 2X1 B2B MNT	
MFG APPROVAL			MODEL NO.	
QA APPROVAL			OLCB2X1U	
SHEET 3 OF 6		SCALE 1:6	SIZE B	DWG. NO. TECH-000887
				REV. 00



THE INFORMATION AND DESIGNS CONTAINED IN THIS DRAWING ARE CONFIDENTIAL AND THE PROPRIETARY PROPERTY OF MILESTONE AV TECHNOLOGIES NEITHER THIS DESIGN NOR ANY INFORMATION CONTAINED IN THIS DRAWING MAY BE REPRODUCED OR DISCLOSED TO OTHERS WITHOUT THE EXPRESS WRITTEN CONSENT OF MILESTONE AV TECHNOLOGIES.

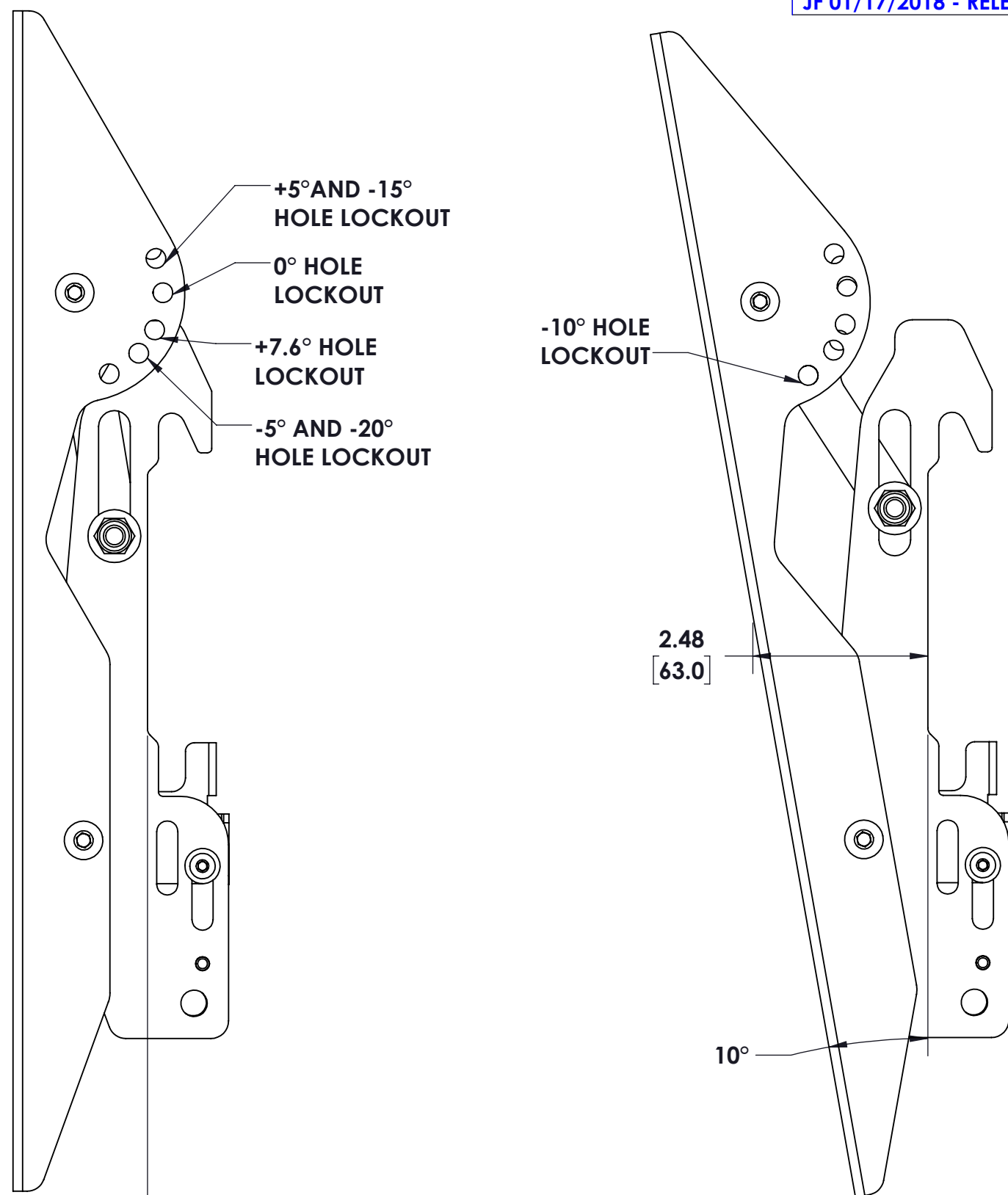
CAD GENERATED DRAWING, DO NOT MANUALLY UPDATE.			6436 CITY WEST PKWY EDEN PRAIRIE MN, 55344 PHONE: 866-977-3901 FAX: 877-894-6918	
DRAWN BY	JF	1/5/2018	DESCRIPTION	
ENG APPROVAL			ODM LFP CEILING 2X1 B2B MNT	
MFG APPROVAL			MODEL NO.	
QA APPROVAL			OLCB2X1U	
SHEET 4 OF 6		SCALE	SIZE	DWG. NO.
		1:6	B	TECH-000887
				REV.
				00

1 2 3 4 5 6 7 8

D
C
B
A

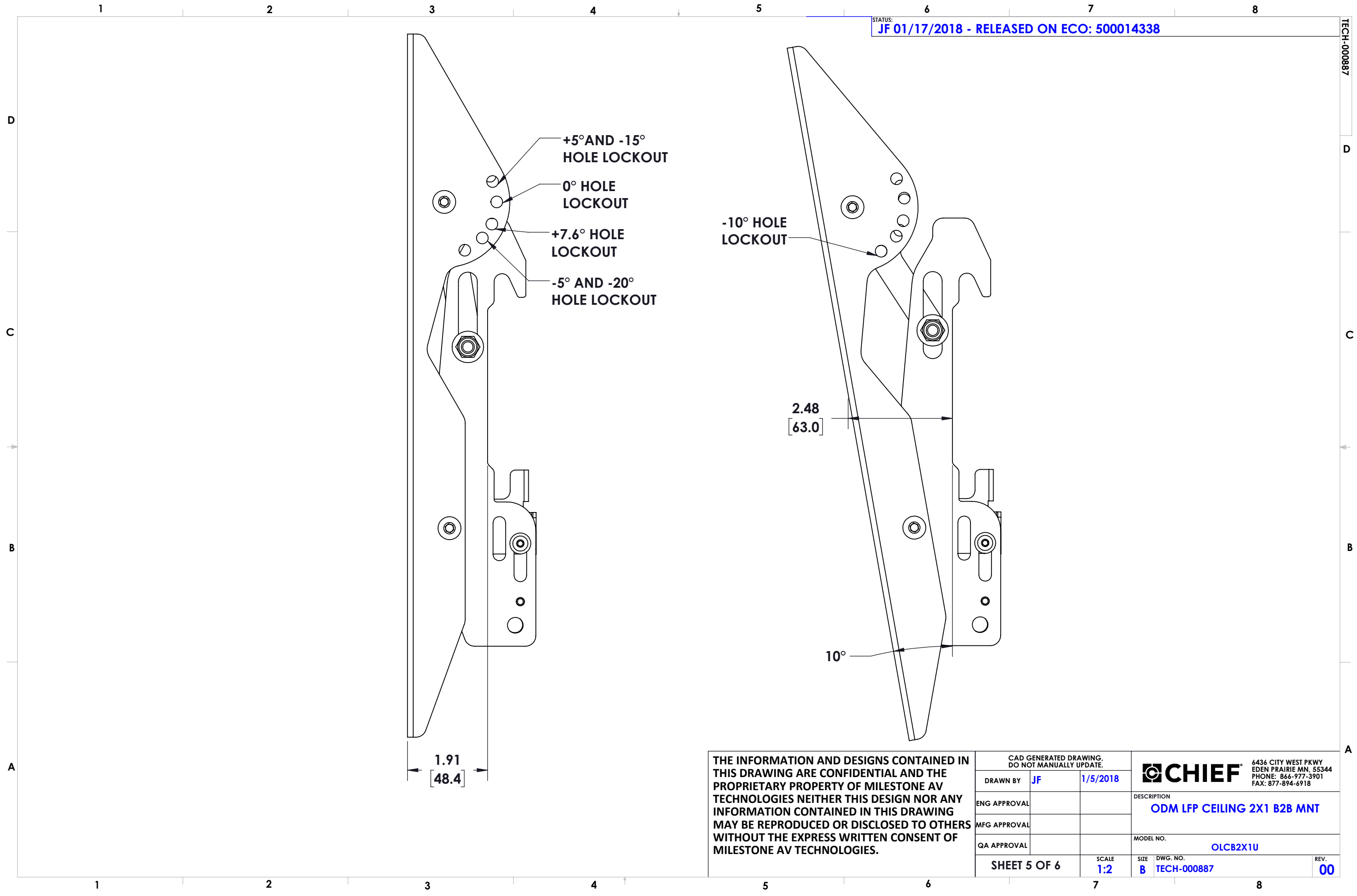
D
C
B
A

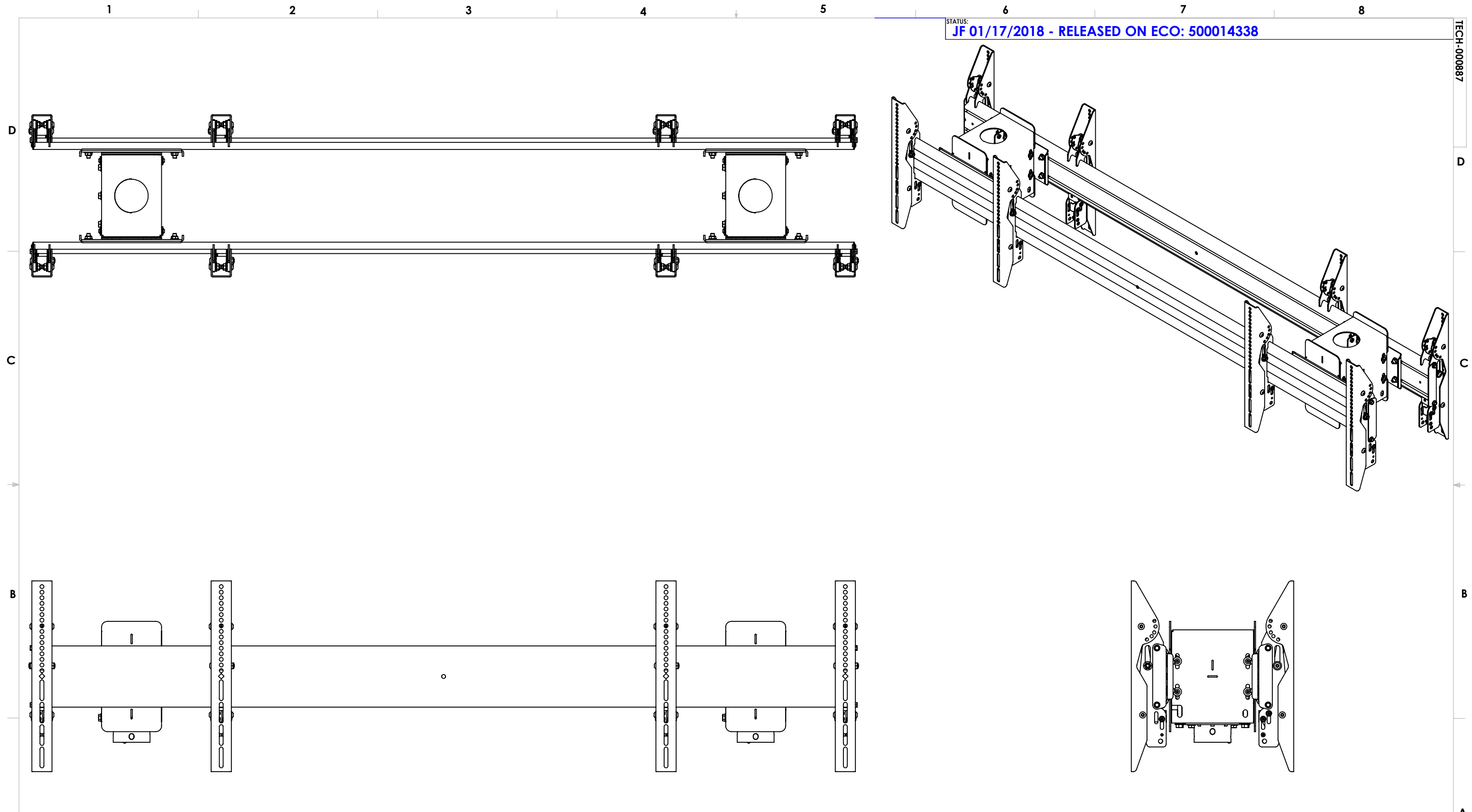
1 2 3 4 5 6 7 8




THE INFORMATION AND DESIGNS CONTAINED IN THIS DRAWING ARE CONFIDENTIAL AND THE PROPRIETARY PROPERTY OF MILESTONE AV TECHNOLOGIES NEITHER THIS DESIGN NOR ANY INFORMATION CONTAINED IN THIS DRAWING MAY BE REPRODUCED OR DISCLOSED TO OTHERS WITHOUT THE EXPRESS WRITTEN CONSENT OF MILESTONE AV TECHNOLOGIES.

CAD GENERATED DRAWING, DO NOT MANUALLY UPDATE.			6436 CITY WEST PKWY EDEN PRAIRIE MN, 55344 PHONE: 866-977-3901 FAX: 877-894-6918	
DRAWN BY	JF	1/5/2018	DESCRIPTION	
ENG APPROVAL			ODM LFP CEILING 2X1 B2B MNT	
MFG APPROVAL			MODEL NO.	
QA APPROVAL			OLCB2X1U	
SHEET 5 OF 6		SCALE	SIZE	DWG. NO.
		1:2	B	TECH-000887
				REV.
				00





THE INFORMATION AND DESIGNS CONTAINED IN THIS DRAWING ARE CONFIDENTIAL AND THE PROPRIETARY PROPERTY OF MILESTONE AV TECHNOLOGIES NEITHER THIS DESIGN NOR ANY INFORMATION CONTAINED IN THIS DRAWING MAY BE REPRODUCED OR DISCLOSED TO OTHERS WITHOUT THE EXPRESS WRITTEN CONSENT OF MILESTONE AV TECHNOLOGIES.

CAD GENERATED DRAWING, DO NOT MANUALLY UPDATE.			
DRAWN BY	JF	1/5/2018	 6436 CITY WEST PKWY EDEN PRAIRIE MN, 55344 PHONE: 866-977-3901 FAX: 877-894-6918
ENG APPROVAL			
MFG APPROVAL			
QA APPROVAL			
SHEET 6 OF 6		SCALE 1:8	DESCRIPTION ODM LFP CEILING 2X1 B2B MNT
		SIZE B	MODEL NO. OLCB2X1U
		DWG. NO. TECH-000887	REV. 00